



M5STACK

## C-BACK NB-IoT(SIM7020G)

SKU:A113



### Description

CBack NB-IoT is a highly integrated NB-IoT communication module adapted to the M5StickC/C Plus series, built-in SIM7020G module and SIM-CARD card holder (nano card holder), covering most of the world's Cat-NB band, the antenna is led out by SMA mount, equipped with glue stick antenna. This module supports a variety of common IoT communication protocols (MQTT, HTTP, CoAP, etc.), which is suitable for application in various low-latency and low-throughput application scenarios.

## Features

- Compatible with M5StickC/C Plus series
- AT command control, UART transmission rate: 115200bps
- SIM card type: Nano
- External antenna: SMA antenna
- SIM7020G national telecommunications certification

## Includes

- 1x CBack NB-IoT
- 1x SMA antenna
- 2x M2x4 screws

## Applications

- Smart meter
- Remote monitoring
- bike-sharing

## Specification

Resources	Parameters
Communication module	SIM7020G
The Cat-NB band is supported	B1/B2/B3/B4/B5/B8/B12/B13/B17/B18/B19/B20/B25/B26/B28/B66/B70/B71/B85
Data transfer speed	126(DL)/150(UL)
Network protocols	TCP/UDP/LWM2M/COAP/ MQTT/HTTP/HTTPS/ TLS/DTLS/DNS/NTP/ PING/OneNET/Telecom Cloud/Aila Cloud*
Communication method	UART 115200bps
authentication	CE*/FCC*/GCF*/PTCRB*/RoHS/REACH/ATEX/TIM*/Deuts Telecom*/Vodafone*/T-Mobile*
Product Size	68mm × 24mm × 21mm
Package Size	90mm × 35mm × 21mm
Product Weight	12.2g
Package Weight	25g

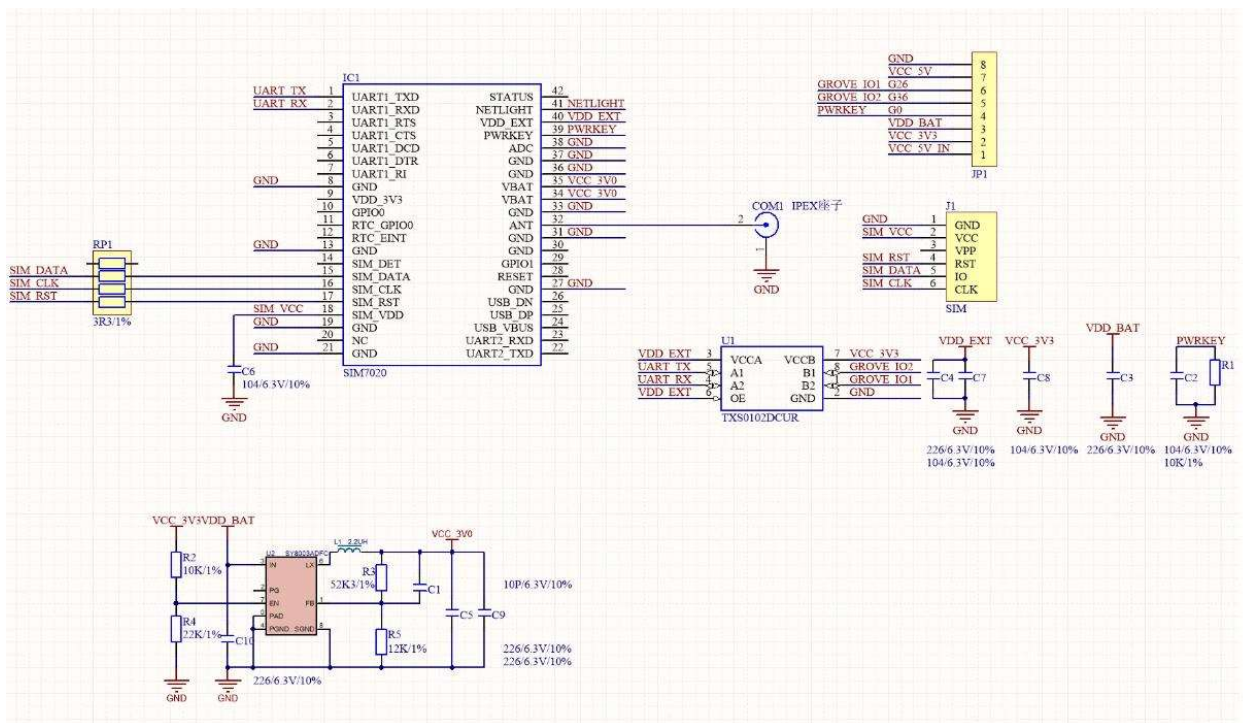


## Related Link

- [SIM7020 Series datasheet](#)
- [SIM7020 Series Ayla Application Note V1.03](#)
- [SIM7020 Series CTBURST Application Note V1.01](#)
- [SIM7020 Series CoAP Application Note V1.03](#)
- [SIM7020 Series EAT Environment & Compilation & Burning Guide V1.02.](#)
- [SIM7020 Series FOTA Application Note V1.02](#)
- [SIM7020 Series HTTP\(S\) Application Note V1.04](#)
- [SIM7020 Series LWM2M Application Note V1.03](#)

- [SIM7020 Series Low Power Mode Application Note V1.05](#)
- [SIM7020 Series MQTT\(S\) Application Note V1.05](#)
- [SIM7020 Series NVRAM Application Note V1.02](#)
- [SIM7020 Series SAT Application Note V1.01](#)
- [SIM7020 Series SNTP Application Note V1.03](#)
- [SIM7020 Series TCPIP Application Note V1.04](#)
- [SIM7020 Series AT Command Manual V1.05](#)

## Schematic



# Module Size

