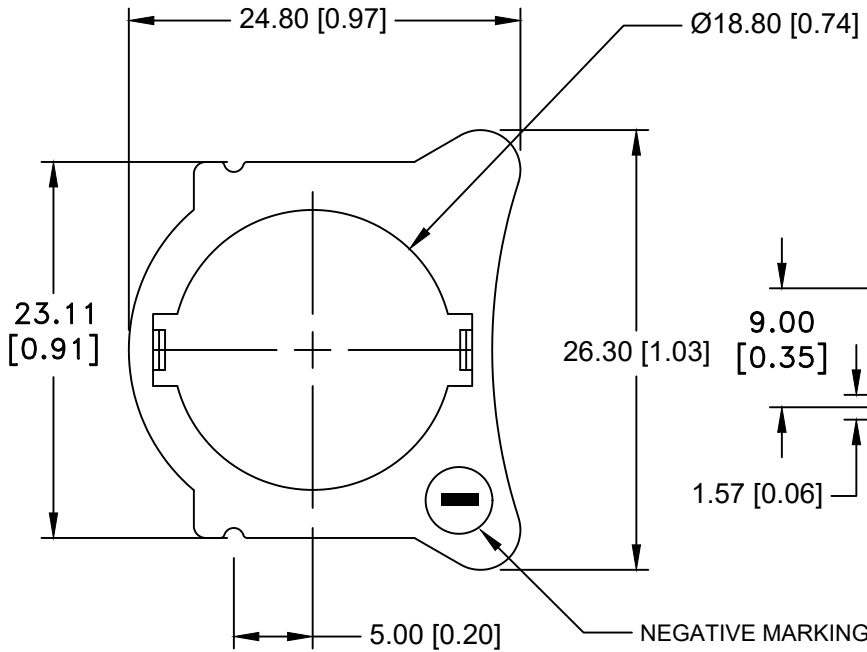
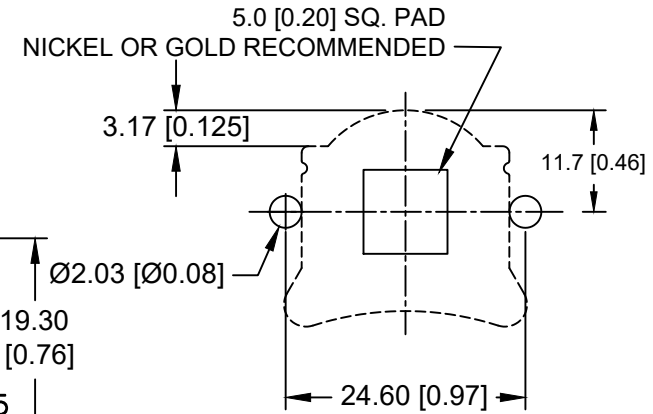
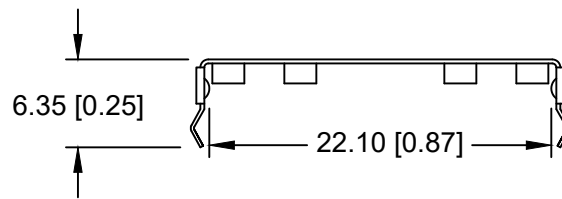
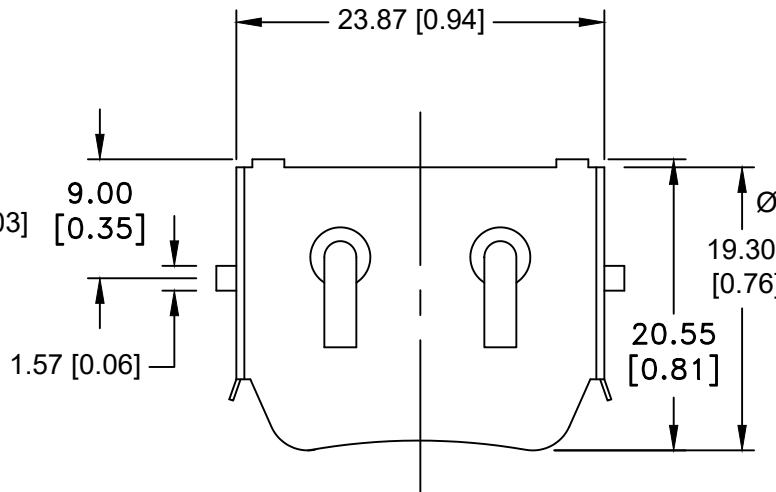
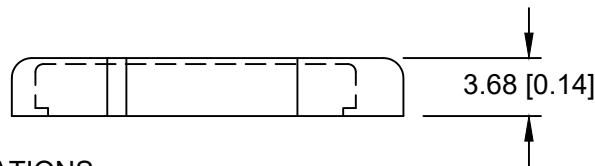


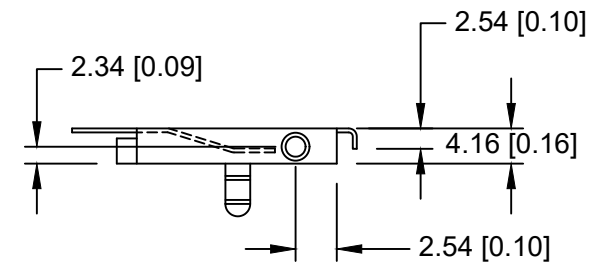
Date	SYM	REVISION RECORD	AUTH	DR.	CK.
06/11/18	J	Added Dim. 23.11	T.B.	B.S.	
10/18/19	K	Added Weight of the part	T.B.	B.S.	
06/08/20	L	Updated Shape of the part	T.B.	B.S.	



# INSULATOR



# PCB LAYOUT




NEGATIVE MARKING ON OPPOSITE SIDE

## SPECIFICATIONS:

- \* Holder material- Polypropylene, AV161 PP, Off White
- \* UL Flammability Rating: UL 94-HB File No. E108370
- \* Contacts : Phosphor Bronze C5191, Nickel Plated 80-150u thickness
- \* Vibration test: 10-50-10 hz swept in 60 seconds  
x,y,z direction: 1 hour each direction
- \* Result: no dislodgement of the cell or damage  
no discontinuity over 10 milliseconds
- \* Shock test: half sine wave acceleration 150g.  
6 milliseconds 3 shock pulses each direction per axis,  
total of 18 pulses
- \* Result: no evidence of physical damage
- \* ROHS COMPLIANT

Weight: Approximate 0.45g

Tolerance (Except as noted)	 <b>Memory Protection Devices, Inc</b> 200 Broad Hollow Road, Farmingdale, New York 11735		
decimal ±.5 (.020)		Scale	Drawn By B.S.
Fractional ± .8 (.030)	Title CR2032 PC PINS BATTERY RETAINER WITH INSULATOR		
Angular ± 3°	Date 06/08/20	Drawing Number BHX1-2032-PC	
		Approved By T.B.	