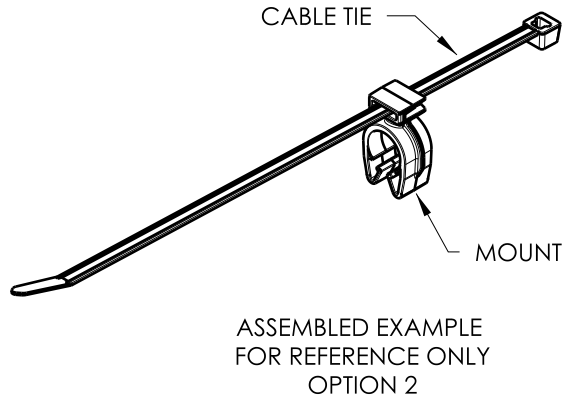
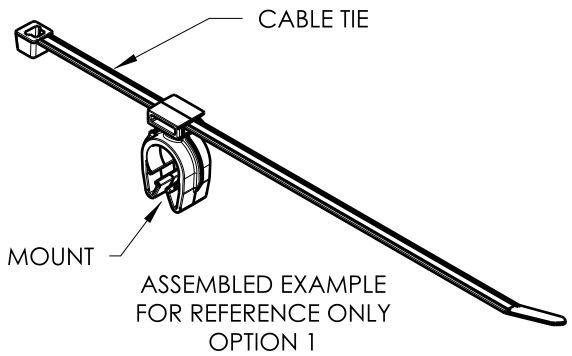


Revision Level			Revision Record	Changed	Date	Approved	Date
Drawing	State	Part					
01.1	Design Release		SEE ECN# 014864	EJH	1/16/19	TAT	1/17/19

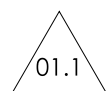
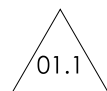
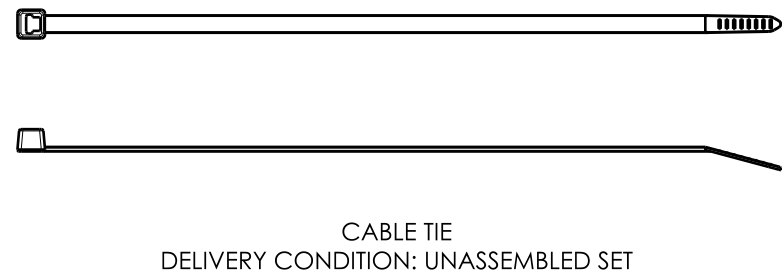


MOC12SAD
DELIVERY CONDITION: UNASSEMBLED SET

TYPE	SUGGESTED DIAMETER RANGE*
HARNESS	11.5MM - 13.0MM
HOSE	10.5MM - 13.0MM
HARD PIPE/TUBE	12.8MM - 13.8MM

*RECOMMENDED SIZES MAY DIFFER DEPENDING ON THE APPLICATION, PRODUCT REQUIREMENTS AND MATERIALS USED

**PATENT PENDING 29/582,271



01.1	GLOBAL PART DESCRIPTION		BUNDLE RANGE	CABLE TIE			MOUNT		
	T50RMOC12SAD-SET-PA66HIRHSUV-BK			DRAWING	MATERIAL	COLOR	DRAWING	MATERIAL	COLOR
		4 TO50	15-0875-001-CSU	PA66HIRHSUV	BLACK	16-0319-008-CSU	PA66HIRHSUV	BLACK	
Material SEE CHART COLOR: SEE CHART		Units millimeters Tolerance defined on each dimension	The copyright of this drawing is reserved by HellermannTyton. It is issued on condition that it is not reproduced, copied or disclosed to a third party, either wholly or in part, without the consent of HellermannTyton.	Drawn TAT 6/21/17	Approved EJH 6/29/17	Article/Type-No T50RMOC12SAD-SET		Scale 1:2	
				Title 12MM (1/2") MOC WITH T50R CABLE TIE			Project Number 16-0319		
				Drawing-No 16-0319-108-CSU			PRODUCTION : Phase Format AH		
							Sheet 1/1		

HellermannTyton
North America
Email: corp@htamericas.com
Web: www.hellermann.tyton.com