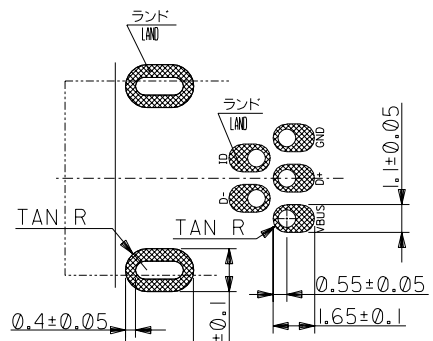
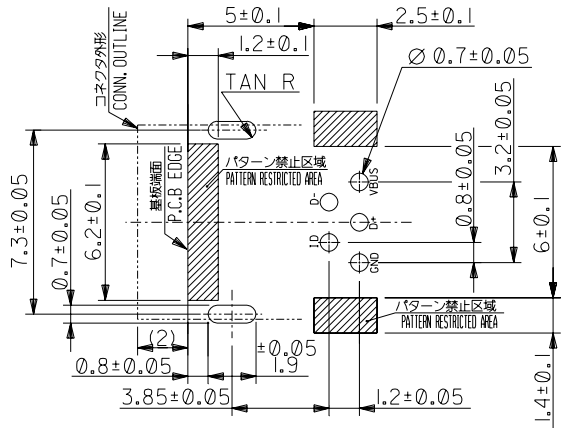
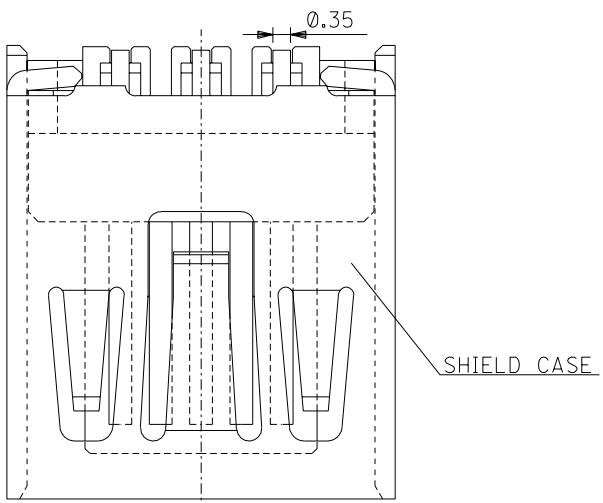
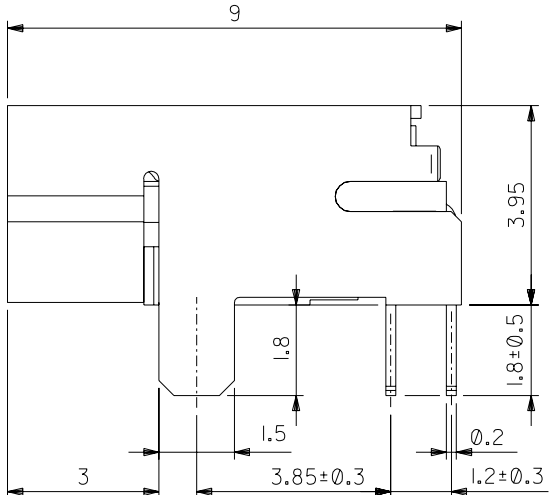
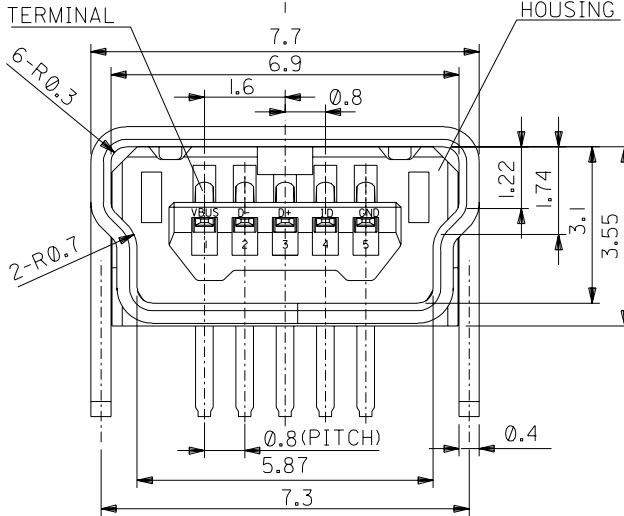


コネクタ実装側 (CONNECTOR MOUNT SIDE) 逆側 (REVERSE SIDE)



推奨基板寸法
RECOMMENDED P.C.B. PATTERN LAYOUT



注記
NOTES

1. 材質 MATERIAL
 ハウジング:耐熱樹脂、ガラス充填、黒色、UL94V-0
 HOUSING:HEAT RESISTANT PLASTIC, GLASS FILLED, BLACK, UL94V-0
 ターミナル:銅合金 (t=0.2)
 TERMINAL: COPPER ALLOY (t=0.2)
 シールド ケース:銅合金 (t=0.4)
 SHIELD CASE: COPPER ALLOY (t=0.4)
2. メッキ仕様 PLATING
 ターミナル TERMINAL
 接点部:金メッキ CONTACT AREA: GOLD
 半田付け部:錫メッキ SOLDER TAIL AREA: TIN
 下地部:ニッケルメッキ UNDER PLATING: NICKEL
 シールド ケース SHIELD CASE
 :錫メッキ : TIN
 下地部:ニッケルメッキ UNDER PLATING: NICKEL
3. 本製品は 54819-0512 の鉛フリー品である。
 THIS PRODUCT IS LEAD FREE OF 54819-0512.

DO NOT SCALE DRAWING

164 NO. DRWN: CH'K: APPR: 163 NO. DRWN: CH'K: APPR: 162 NO. DRWN: CH'K: APPR: 161 NO. DRWN: CH'K: APPR: 160 NO. J2004-4620 DRWN: T.JUENO CH'K: MSASAO APPR: MSASAO RELEASED '04/06/08	MATERIAL 材料 SEE NOTES FINISH 仕上げ SEE NOTES WIRE RANGE 適用線径範囲 # INS. RANGE 被覆外径 #	GENERAL TOLERANCES: (UNLESS SPECIFIED) 一般公差 10 UNDER 未満 ±0.2 10 OVER 以上 30 UNDER 未満 ±0.25 30 OVER 以上 ±0.3 ANGLE 角度 *3°	SCALE 10 - 1 DESIGN UNITS <input checked="" type="checkbox"/> mm <input type="checkbox"/> INCH DRAWN BY & DATE T.JUENO '04/06/08 CHECKED BY & DATE M.SASAO '04/06/08 APPROVED BY & DATE M.SASAO '04/06/08 CAD FILENAME SD-54819-029.S01	2888 DRAWING CONTAINS INFORMATION THAT IS PROPRIETARY TO MOLEX INCORPORATED AND SHOULD NOT BE USED WITHOUT WRITTEN PERMISSION.	54819-0518 MATERIAL NO.	54819-**-18 MODEL NO.	DIMENSIONS: <input type="checkbox"/> mm <input type="checkbox"/> INCH <input type="checkbox"/> mm ONLY	SHT 1 OF 2 REV B
					TITLE: USB SERIES MINI-B RECEPTACLE ASS'Y -LEAD FREE-	MOLEX MOLEX INCORPORATED	MATERIAL NO. SEE CHART	DRAWING NO. SD-54819-029

DWG. NO. SD-54819-029

F

D

V

C

B

DO NOT SCALE DRAWING

8

7

6

5

4

3

2

1

F

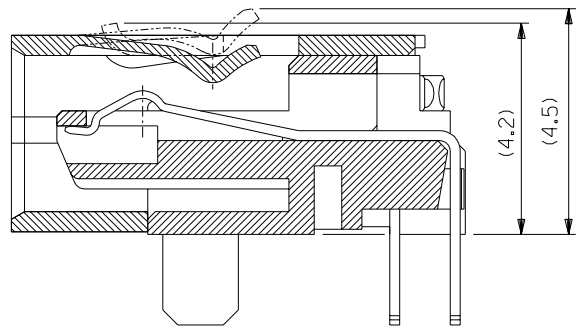
E

D

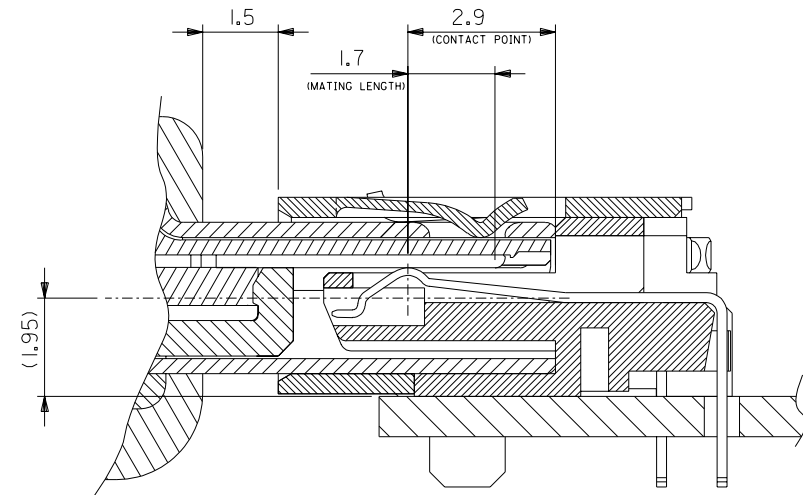
C

B

A



SECTION



MATING

664 NO. DRWN: CH'K: APPR:	663 NO. DRWN: CH'K: APPR:	662 NO. DRWN: CH'K: APPR:	661 NO. DRWN: CH'K: APPR:	660 NO. DRWN: CH'K: APPR:
SEE SHEET 1 OF 2				
DESCRIPTION				
MATERIAL 材料				
SEE NOTES				
FINISH 仕上り				
SEE NOTES				
WIRE RANGE 適用電線範囲				
#				
INS. RANGE 被覆外径				
#				

GENERAL TOLERANCES: (UNLESS SPECIFIED) 一般公差	SCALE 10 - 11	DESIGN UNITS <input checked="" type="checkbox"/> mm <input type="checkbox"/> INCH	DIMENSIONS: <input type="checkbox"/> mm <input type="checkbox"/> INCH <input checked="" type="checkbox"/> mm ONLY	SHT 2 REV 2
10 UNDER 未満 ±0.2	DRAWN BY & DATE T.UENO 04/06/08		TITLE: USB SERIES MINI-B RECEPTACLE ASS'Y -LEAD FREE-	
10 OVER 30 UNDER 以上 未満 ±0.25	CHECKED BY & DATE M.SASAO 04/06/08		MOLEX INCORPORATED	
30 OVER 以上 ±0.3	APPROVED BY & DATE M.SASAO 04/06/08		MATERIAL NO. SD-54819-029	
ANGLE 角度 ±3°	CAD FILENAME SD-54819-029.S02		DRAWING NO. SD-54819-029	
THIS DRAWING CONTAINS INFORMATION THAT IS PROPRIETARY TO MOLEX INCORPORATED AND SHOULD NOT BE USED WITHOUT WRITTEN PERMISSION.			SHEET NO. 2	
			SIZE B	

DIMENSIONS: <input type="checkbox"/> mm <input type="checkbox"/> INCH <input checked="" type="checkbox"/> mm ONLY	SHT 2 REV 2
TITLE: USB SERIES MINI-B RECEPTACLE ASS'Y -LEAD FREE-	
MOLEX INCORPORATED	
MATERIAL NO. SD-54819-029	
DRAWING NO. SD-54819-029	
SHEET NO. 2	
SIZE B	

DIMENSIONS: <input type="checkbox"/> mm <input type="checkbox"/> INCH <input checked="" type="checkbox"/> mm ONLY	SHT 2 REV 2
TITLE: USB SERIES MINI-B RECEPTACLE ASS'Y -LEAD FREE-	
MOLEX INCORPORATED	
MATERIAL NO. SD-54819-029	
DRAWING NO. SD-54819-029	
SHEET NO. 2	
SIZE B	

DIMENSIONS: <input type="checkbox"/> mm <input type="checkbox"/> INCH <input checked="" type="checkbox"/> mm ONLY	SHT 2 REV 2
TITLE: USB SERIES MINI-B RECEPTACLE ASS'Y -LEAD FREE-	
MOLEX INCORPORATED	
MATERIAL NO. SD-54819-029	
DRAWING NO. SD-54819-029	
SHEET NO. 2	
SIZE B	

8

7

6

5

4

3

2