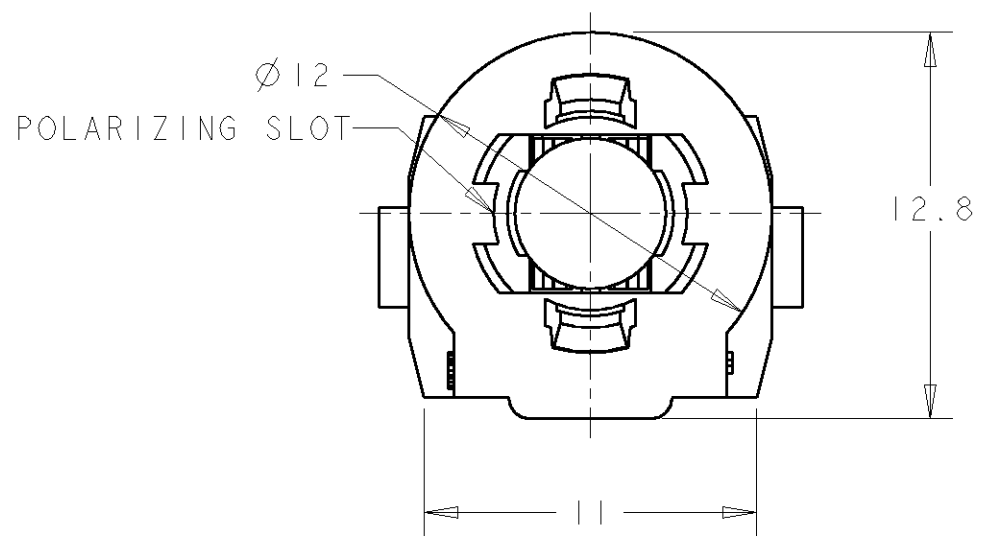
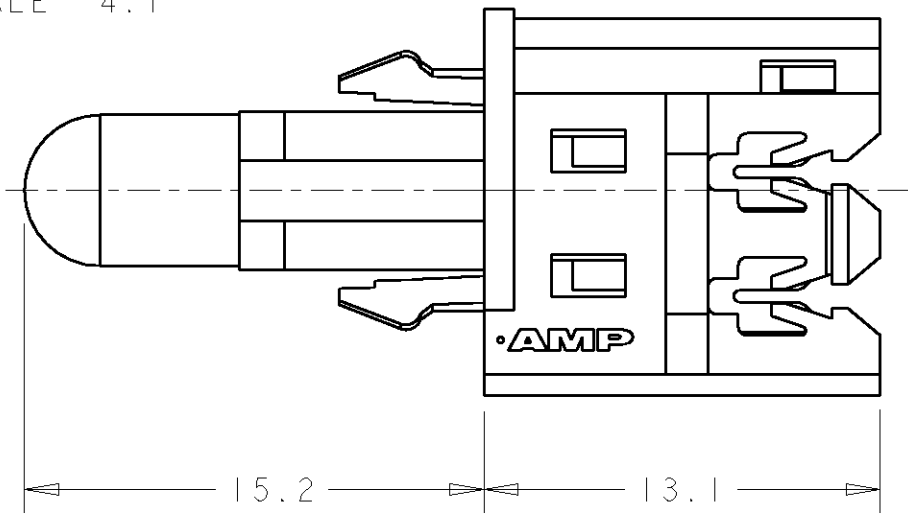


THIS DRAWING IS UNPUBLISHED. RELEASED FOR PUBLICATION 21-FEB-1996
 © COPYRIGHT 1996 BY TYCO ELECTRONICS CORPORATION. ALL RIGHTS RESERVED.

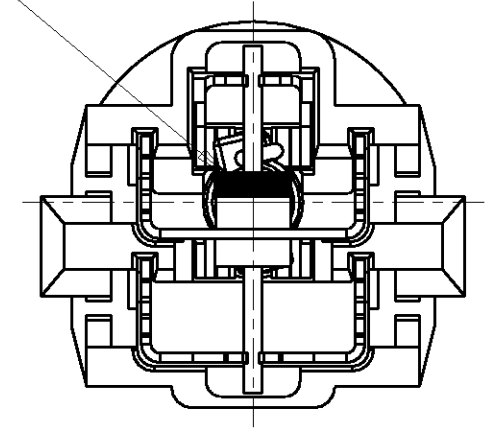
LOC	DIST	REVISIONS			
P	LTR	DESCRIPTION	DATE	DWN	APVD
E	B	D	EB-0061-02	20FEB2002	AJB R.G
		E	EB00-0080-02	01MAR2002	AJB R.G
		F	EB00-0184-03	12MAR2003	PB JA



SCALE 4:1

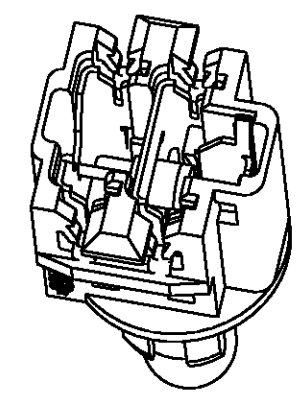
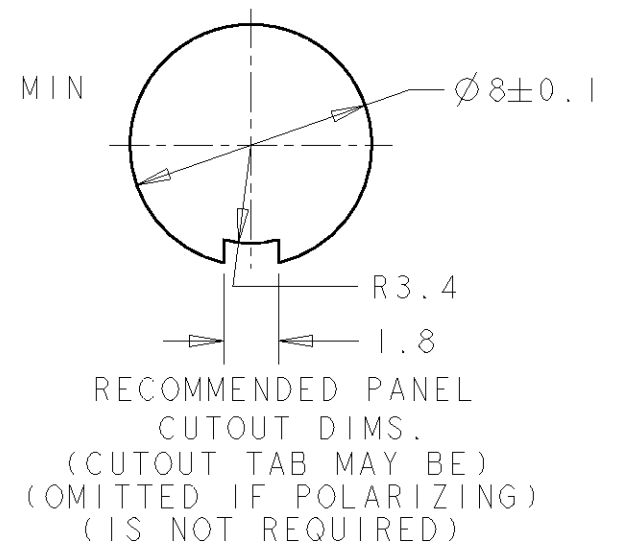
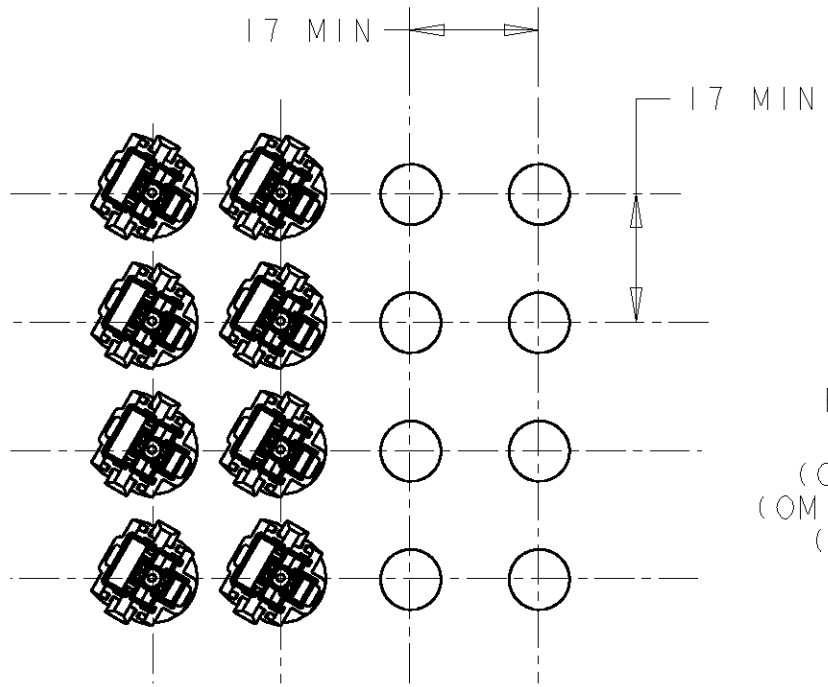


DIODE MARKER BAND THIS END



NOMINAL ONLY
(DEPENDS ON BULB DIMS.)

- 1 MATERIALS
HOUSING :- NYLON 66
CONTACTS :- BRASS
- 2 AMP PRODUCT SPEC No 108-3382.
- 3 AMP APPLICATION SPEC No 114-3185.
- 4 ASSEMBLIES FITTED WITH BULBS NOT SUITABLE FOR USE WITH MULTIPLEXED POWER SOURCE ONLY STRAIGHT DC DRIVEN SUPPLIES.



DESCRIPTION	PART NUMBER
BULBHOLDER WITH CLEAR BULB	9-349494-1
BULBHOLDER WITH AMBER BULB	349494-6
BULBHOLDER WITH GREEN BULB	349494-5
BULBHOLDER WITH BLUE BULB	349494-4
BULBHOLDER WITH RED BULB	349494-3
BULBHOLDER WITHOUT BULB	349494-2
BULBHOLDER WITH CLEAR BULB	349494-1

RECOMMENDED MAXIMUM PANEL DENSITY FOR MANUAL WIRE INSERTION TOOLS. CONSULT AMP FOR PITCHING DIMENSIONS IF USING POWERED TOOLS.
 SCALE 1:1
 PANEL THICKNESS 1.5 TO 2.0

<small>THIS DRAWING IS A CONTROLLED DOCUMENT FOR TYCO ELECTRONICS CORPORATION IT IS SUBJECT TO CHANGE AND THE CONTROLLING ENGINEERING ORGANIZATION SHOULD BE CONTACTED FOR THE LATEST REVISION.</small>		DWN 20FEB2002 A. J. BEKEN CHK 20FEB2002 R. GOODALL APVD 20FEB2002 R. GOODALL		tyco Electronics Tyco Electronics UK Ltd, Stanmore, Middlesex, HA7 4RS.	
DIMENSIONS: mm		TOLERANCES UNLESS OTHERWISE SPECIFIED: LINEAR ±0.5 0 PLC ±0.1 1 PLC ±0.1 2 PLC ±0.05 3 PLC ± 4 PLC ± ANGLES ±0.5		NAME 5mm IDC BULBHOLDER ASSEMBLY WITH DIODE	
MATERIAL 		FINISH - PRODUCT SPEC 108-3382 APPLICATION SPEC 114-3185 WEIGHT -		SIZE A3 CAGE CODE 00779 DRAWING NO C-349494 RESTRICTED TO -	
CUSTOMER DRAWING				SCALE 5:1 SHEET 1 OF 1 REV F	