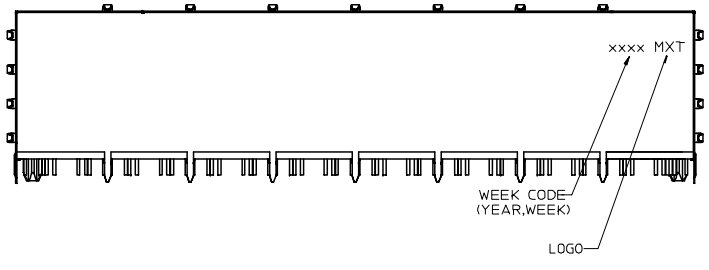
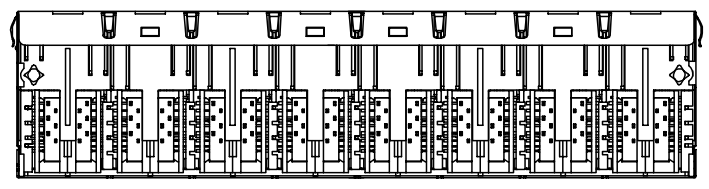
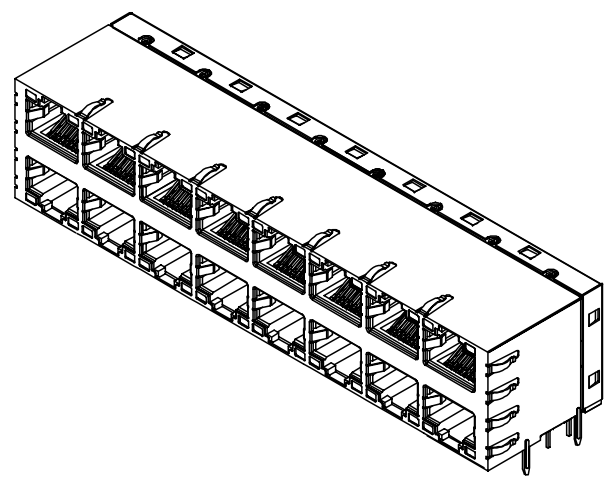
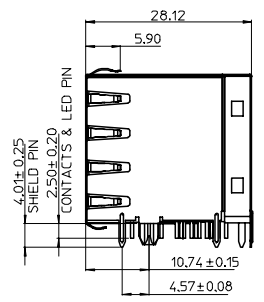
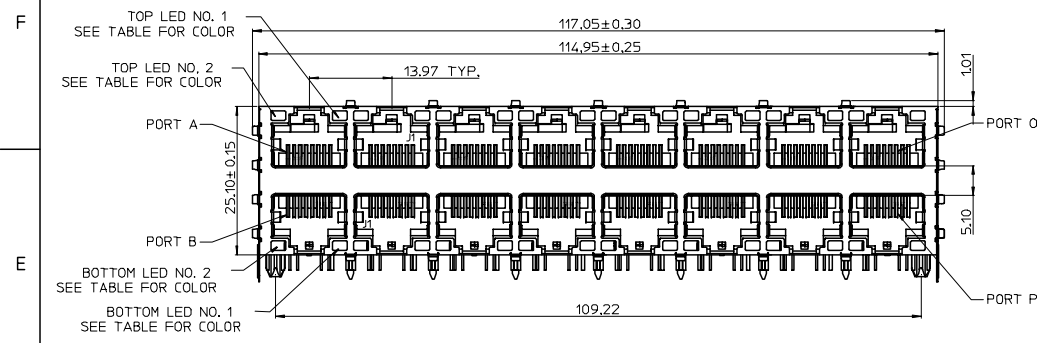


10 9 8 7 6 5 4 3 2 1



F
E
D
C
B
A

F
E
D
C
B
A

RoHS FOR 48033-4900	DESCRIPTION
EC NO: SH2007-0131	REV
DRWN: ALLIN	
CHKD:	
APPR: WWSCHANG	
2006/10/04	
2006/10/04	
2006/10/04	

QUALITY SYMBOLS	DESCRIPTION
▽=0	
▽=0	

GENERAL TOLERANCES (UNLESS SPECIFIED)	
mm	INCH
4 PLACES ± ---	± ---
3 PLACES ± ---	± ---
2 PLACES ± 0.25	± ---
1 PLACE ± 0.25	± ---
ANGULAR ± 3 °	
DRAFT WHERE APPLICABLE MUST REMAIN WITHIN DIMENSIONS	

DIMENSION STYLE	
MM ONLY	
DRAWN BY	DATE
LINDA	2006/08/08
CHECKED BY	DATE
ALLEN LIN	2006/08/10
APPROVED BY	DATE
ERICK LAN	2006/08/10
MATERIAL NO.	
48033-4900	

SCALE	DESIGN UNITS	THIRD ANGLE PROJECTION
	METRIC	
TITLE		
MODULAR JACK STACKED 2X8 RA, 10/100 ETHERNET W/ LEDS, MAGNETICS		
MOLEX INCORPORATED		
MATERIAL NO.	DOCUMENT NO.	SHEET NO.
48033-4900	SD-48033-005	1 OF 3
THIS DRAWING CONTAINS INFORMATION THAT IS PROPRIETARY TO MOLEX INCORPORATED AND SHOULD NOT BE USED WITHOUT WRITTEN PERMISSION		

9 8 7 6 5 4 3 2 1

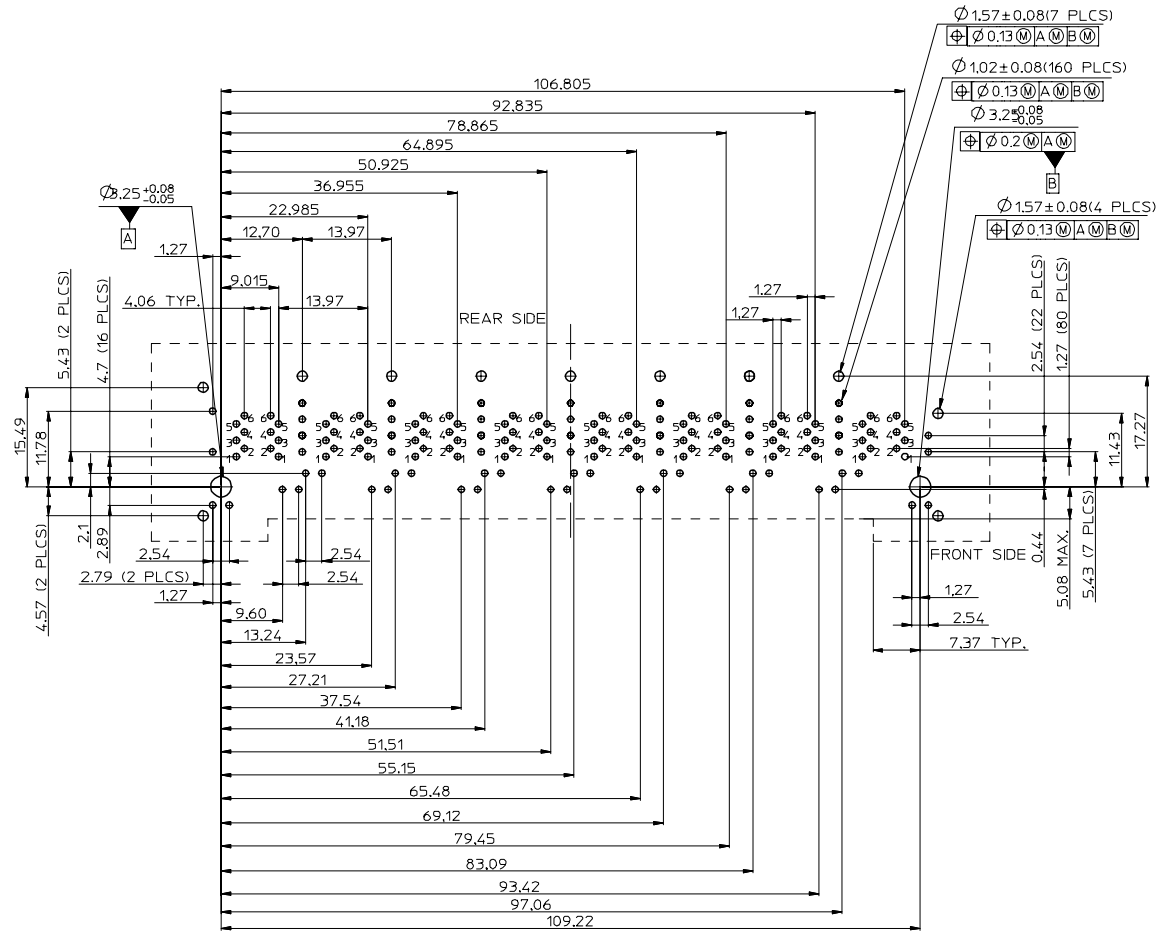
- NOTES:
 1.MATERIAL:
 PLASTIC HOUSING: POLYAMIDE, GLASS FIBER FILLED,UL94V-0,COLOR:BLACK
 SHIELD: BRASS.
 BACK SHIELD: BRASS.
 CONTACTS: PHOSPHOR BRONZE.
 LED: DIFFUSED EPOXY LENS,CARBON STEEL LEAD FRAME
 2.PLATING:
 SHIELD:SOLDER TAIL,TIN(Sn) THICKNESS-100 MICRONCH MINIMUM
 UNDER PLATE(NICKEL(Ni)) PLATED OVERALL (SOLDERING AVAILABLE).
 TERMINAL CONTACT AREA:GOLD(Au) THICKNESS-50 MICRONCH/127 MICROMETER
 SOLDER TAIL,TIN(Sn) THICKNESS-100 MICRONCH MINIMUM
 UNDER PLATE(NICKEL(Ni)) PLATED OVERALL.
 LED:TIN/SILVER/NICKEL/COPPER PLATING
 3.MAGNETICS:
 IMPEDANCE:100 OHMS
 TRANSMIT OPEN CIRCUIT INDUCTANCE (OCL):350uH (MIN)@ 100KHZ,0.1 VRMS WITH 8 mA DC BIAS
 TURNS RATIO (CHIP:CABLE):TX:41,RX:14
 PERFORMANCE:
 TRANSMIT BIDIRECTIONAL J3 AND J6
 RECIEVE BIDIRECTIONAL J1 AND J2

FREQUENCY	INSERTION LOSS	RETURN LOSS	CROSSTALK ATTENUATION	COMMON MODE REJECTION RATIO	
				TX	RX
1.0MHZ-15.0MHZ	0.3dB(MAX)	18.0dB(MIN)	35.0dB(MIN)	46.0dB(MIN)	35.0dB(MIN)
15.1MHZ-60.0MHZ	0.6dB(MAX)	16.0dB(MIN)	26.0dB(MIN)	46.0dB(MIN)	35.0dB(MIN)
60.1MHZ-80.0MHZ	1.1dB(MAX)	15.0dB(MIN)	24.0dB(MIN)	42.0dB(MIN)	33.0dB(MIN)
80.1MHZ-100.0MHZ	1.1dB(MAX)	12.0dB(MIN)	24.0dB(MIN)	42.0dB(MIN)	33.0dB(MIN)

- DIELECTRIC (ISOLATION VOLTAGE):
 2250 VDC (1mA CUTOFF CURRENT) FOR 60 SECONDS DURATION
 WITH DECOUPLING CAP
 ALL BRIDGED ON EITHER SIDE OF MAGNETICS PACKAGE FOR
 RJ-45 CONTACT
 4.RECOMMENDED PCB THICKNESS 2.00mm(.079")
 5.SUGGESTED OPERATING CURRENT FOR THE LED IS 20mA
 6.PRODUCT SPECIFICATION REFER TO PS-48033-002
 7.TEST SUMMARY REFER TO TS-48033-005
 8.PACKAGING SPECIFICATION REFER TO PK-48033-005
 9.LEAD FREE AND RoHS COMPLIANT PRODUCT

LED ELECTRICAL SPECIFICATION

PARAMETER	YELLOW (TYP.)	GREEN (TYP.)	UNITS	TEST CONDITIONS
POWER DISSIPATION	100	100	mW	
REVERSE VOLTAGE	5	5	V	
PEAK WAVELENGTH	585	565	nm	IF=20mA
FORWARD VOLTAGE	2.1 MAX.=2.5	2.1 MAX.=2.5	V	IF=20mA



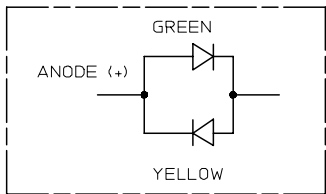
RECOMMENDED PC BOARD LAYOUT
 (VIEWED FROM COMPONENT SIDE)

SEE SHEET 1 EC NO: SH2007-0131 DRWN:ALLIN 2006/10/04 CHKD: 2006/10/04 APPR:WMSCHANG 2006/10/04	QUALITY SYMBOLS	GENERAL TOLERANCES (UNLESS SPECIFIED)	DIMENSION STYLE MM ONLY	SCALE 1:1	DESIGN UNITS METRIC	THIRD ANGLE PROJECTION
	▽=0 ∇=0	mm INCH	DRAWN BY LINDA 2006/08/08	TITLE MODULAR JACK STACKED 2X8 RA, 10/100 ETHERNET W/ LEDS, MAGNETICS	MOLEX INCORPORATED	
		4 PLACES ± --- ± --- 3 PLACES ± --- ± --- 2 PLACES ± 0.25 ± --- 1 PLACE ± 0.25 ± --- ANGULAR ± 3°	DATE 2006/08/10	DATE 2006/08/10		
		DRAFT WHERE APPLICABLE MUST REMAIN WITHIN DIMENSIONS	MATERIAL NO. 48033-4900	DOCUMENT NO. SD-48033-005	SHEET NO. 2 OF 3	

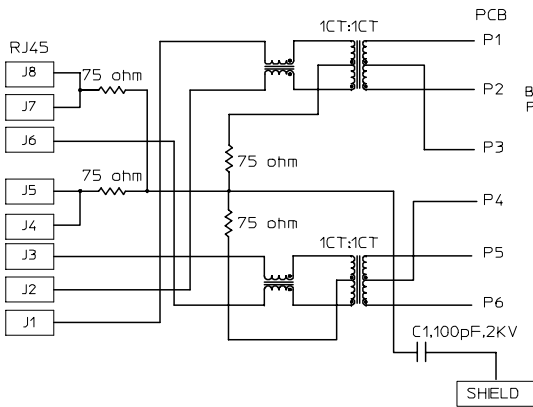
THIS DRAWING CONTAINS INFORMATION THAT IS PROPRIETARY TO MOLEX INCORPORATED AND SHOULD NOT BE USED WITHOUT WRITTEN PERMISSION

10 9 8 7 6 5 4 3 2 1

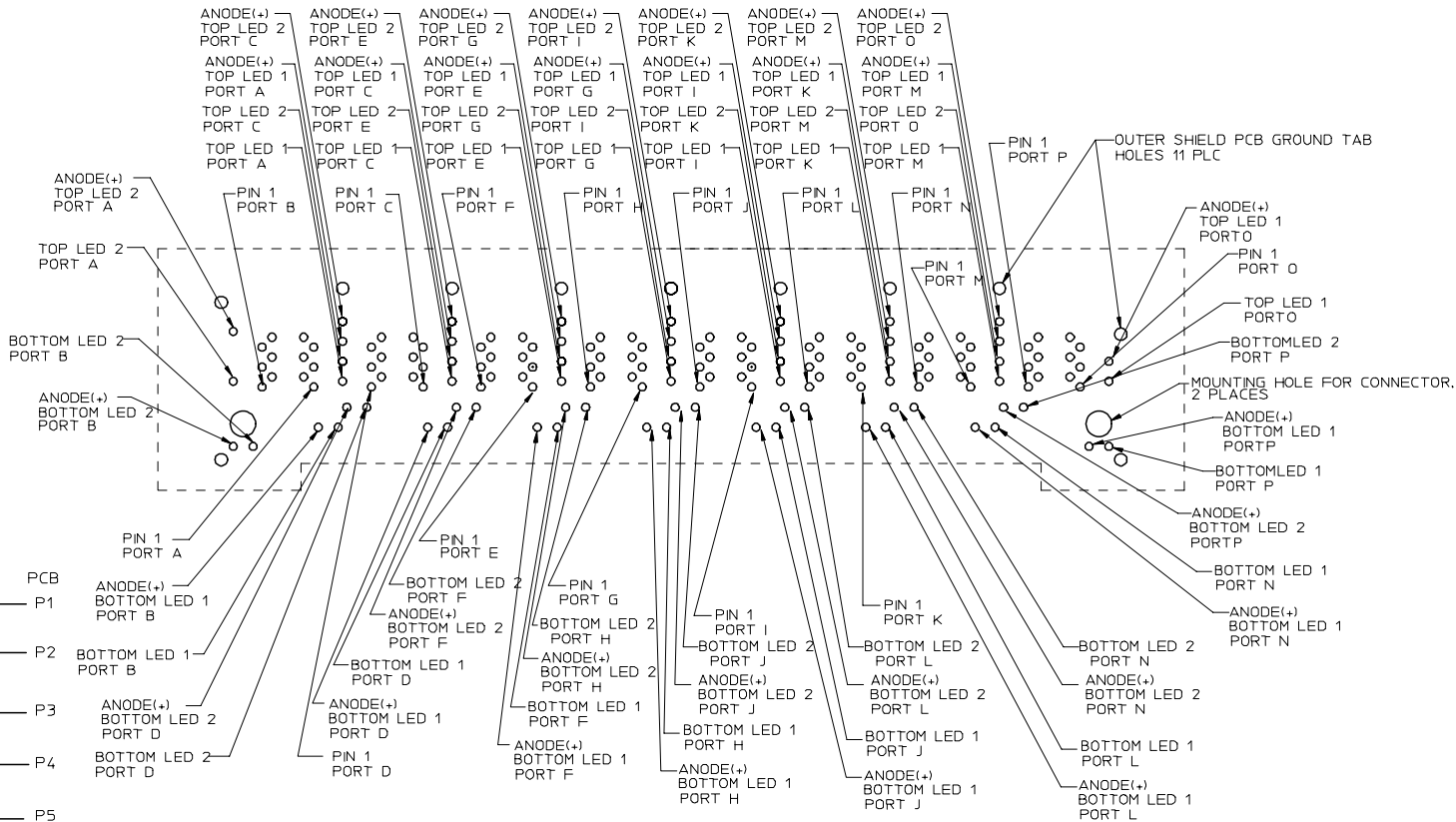
F
E
D
C
B
A



BI-COLOR LED



MAGNETIC SCHEMATIC



LED HOLE DESIGNATIONS
(VIEWED FROM COMPONENT SIDE)

SEE SHEET 1 EC NO: SH2007-0131 DRWN: ALLIN CHKD: APPR: WWSCHANG	QUALITY SYMBOLS ▽=0 ▽=0	GENERAL TOLERANCES (UNLESS SPECIFIED)		DIMENSION STYLE MM ONLY		SCALE 1:1	DESIGN UNITS METRIC	THIRD ANGLE PROJECTION	
		DRAFT WHERE APPLICABLE MUST REMAIN WITHIN DIMENSIONS		MATERIAL NO. 48033-4900		DOCUMENT NO. SD-48033-005		SHEET NO. 3 OF 3	

9 8 7 6 5 4 3 2 1