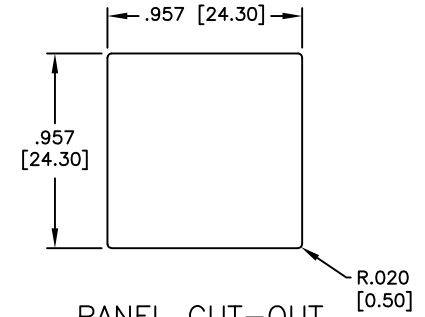
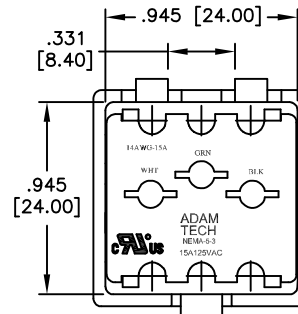
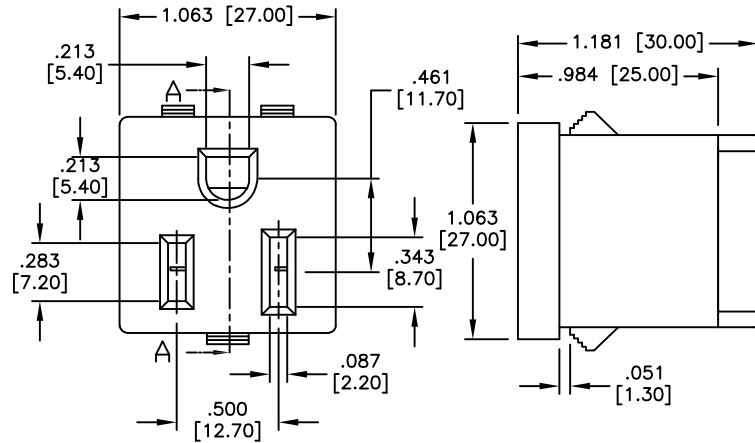
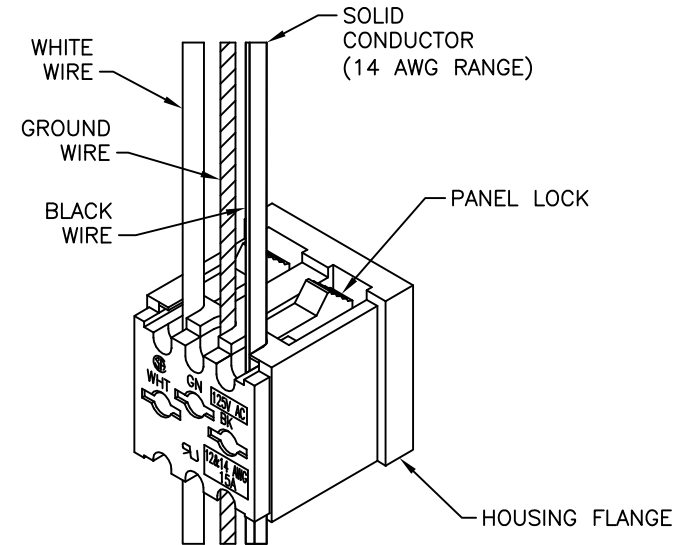
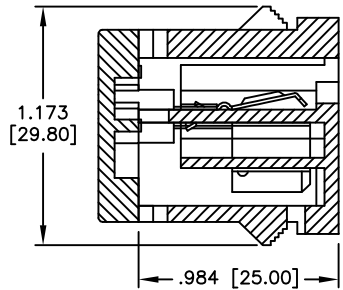
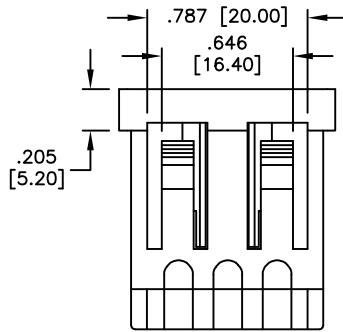


APPROVED: _____
 DATE: _____ TITLE: _____

Rev	AWO #	Description	Date	Appr
-		RELEASED	1/19/05	
A		REVISED SHAPE & DIM.	2/18/14	AY/KW
B		CHG'D CONTACT MATERIAL TO BRASS	10/17/16	AY/KW
C		CHG'D MTL TO C2680, EH, Hardness: HV 183	11/24/16	AY/KW



PANEL CUT-OUT
 Panel Thickness:
 0.8mm to 1.5mm



SPECIFICATIONS:

Material:
 Insulator: Nylon 66, rated UL94V-0
 Insulator color: Black
 Contacts: Brass, C2680, Level: EH, Hardness: HV 183, Tin plated
 Electrical:
 Operating voltage: (C-ULus) 125 VAC
 Current rating: (C-ULus) 15 Amps max.
 Insulation resistance: 100 Mohms min. @ 500 VDC
 Dielectric withstanding voltage: 3,000 VAC for 1 minute
 Recommended wire size: 14 AWG solid
 Environmental:
 Lead free, RoHS Compliant



UNLESS OTHERWISE SPECIFIED ALL DIMENSIONS ARE INCHES [MM] TOLERANCES: EXCEPT AS NOTED			
INCHES		HOLES	
.X	± .10	∅X	± .10
.XX	± .020	∅XX	± .015
.XXX	± .015	∅XXX	± .010

APPROVALS		DATE
DRAWN	SS	1/19/05
CHECKED		
APPROVED		

ADAM TECH
 909 Rahway Avenue, Union, NJ 07083
 Phone: 908-687-5000 Fax: 908-687-5710

TITLE: NEMA UNIVERSAL PANEL SNAP RECEPTACLE

SIZE	PART NO.	REV.
X	NEMA-5-3	C

REF: S00087C SCALE: NTS SHEET 1 OF 1