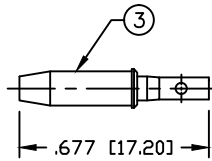
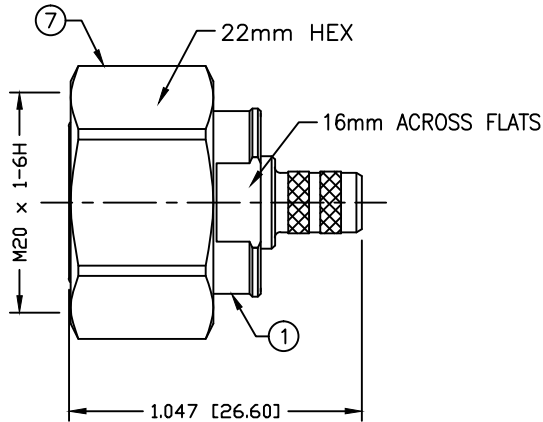


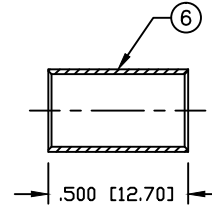
PART NO.

**RFD-43MS-X**

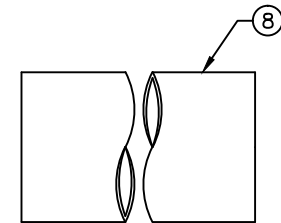
REV	DESCRIPTION	DWN	DATE	APPROVED
B	ADDED SOLDER NOTE	CZS	01/25/19	JDMc



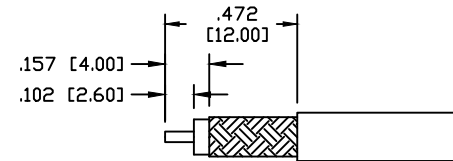
SOLDER ONLY



RECOMMENDED CRIMP DIE: .255"



(NTS)

RECOMMENDED STRIPPING DIMENSIONS  
FOR SOLID CENTER CONDUCTOR CABLES ONLYSPECIFICATIONS:

INTERFACE: IEC61169-54  
 IMPEDANCE: 50 OHMS  
 FREQUENCY RANGE: DC-6 GHz  
 VSWR MAX: <1.2:1 @ 3GHz  
 DIELECTRIC WITHSTANDING VOLTAGE: 1000V  
 INSULATION RESISTANCE: 5000M OHM  
 TEMPERATURE RANGE: -55°C TO +85°C  
 FOR RG-8/X, BELDEN 9258, MAXRAD M8X-100 &  
 M8X-1000, MICRO 8/U, REMEE 1600, SAXTON 8315 &  
 TIMES LMR-240 & LMR-240 ULTRAFLEX CABLE

#	DESCRIPTION	QTY	MATERIAL	FINISH
8	TUBING	1	HEAT SHRINK	---
7	COUPLING NUT	1	BRASS	WHITE BRONZE
6	FERRULE	1	BRASS	WHITE BRONZE
5	O-RING	1	SI RUBBER	---
4	RETAINING RING	1	BRASS	WHITE BRONZE
3	PIN	1	BRASS	SILVER
2	INSULATOR	1	PTFE	---
1	BODY	1	BRASS	WHITE BRONZE

CUSTOMER OUTLINE DRAWING	
ALL DIMENSIONS ARE REFERENCE ONLY	
UNLESS OTHERWISE SPECIFIED: DIMENSIONS ARE IN INCHES AND [MILLIMETERS]	
DRAWN C. ZUNIGA	01/25/19
CHECKED	
ORJ DRAWN C. ZUNIGA	01/04/17

**RoHS  
COMPLIANT**

PROPRIETARY AND CONFIDENTIAL  
 THIS DRAWING CONTAINS  
 INFORMATION PROPRIETARY TO  
 RF INDUSTRIES, ANY  
 UNAUTHORIZED USE OF THIS  
 DRAWING IS EXPRESSLY  
 PROHIBITED WITHOUT WRITTEN  
 PERMISSION FROM RF  
 INDUSTRIES. ANY VIOLATION IS  
 PUNISHABLE UNDER U.S.  
 COPYRIGHT LAWS.

**RFconnectors**  
 DIVISION OF RF INDUSTRIES, LTD. (858) 549-6345 FAX  
 7610 MIRAMAR RD.  
 SAN DIEGO, CA 92126  
 (858) 549-6340

**4.3-10 MALE, CRIMP**  
 FOR LMR-240

SIZE	CABLE GROUP	DWG NO.	REV
A	X	<b>RFD-43MS-X</b>	B
SCALE: NTS	ENGINEERING ID: 000000	SHEET 1 OF 1	