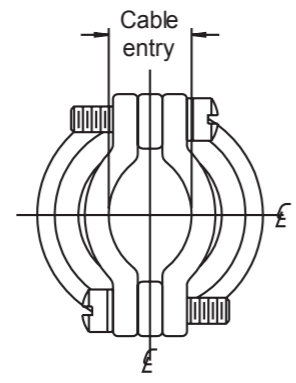
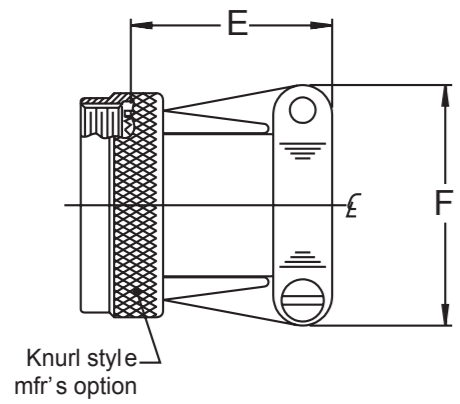


FOR REFERENCE ONLY

REVISIONS		
REV.	DESCRIPTION	DATE
A	09-001: Strain relief clamp adapter	2016



SBU P/N **09 A1 001 S 16 CN**

PRODUCT SERIES _____

CONNECTOR DESIGNATOR (Table I) _____

BASIC PART NUMBER _____

CONFIGURATION ANGLE _____

A = 45°

R = 90°

S = STRAIGHT

SHELL SIZE (Table III) _____

FINISH CODE (Table II) _____

This Stamp was applied by Esterline Technologies Corporation

NOT EXPORT CONTROLLED

THIS DOCUMENT DOES NOT CONTAIN TECHNICAL DATA OR TECHNOLOGY SUBJECT TO THE INTERNATIONAL TRAFFIC IN ARMS REGULATIONS (ITAR) OR U.S. EXPORT ADMINISTRATION REGULATIONS (EAR).

160505

This Stamp was applied by Esterline Technologies Corporation

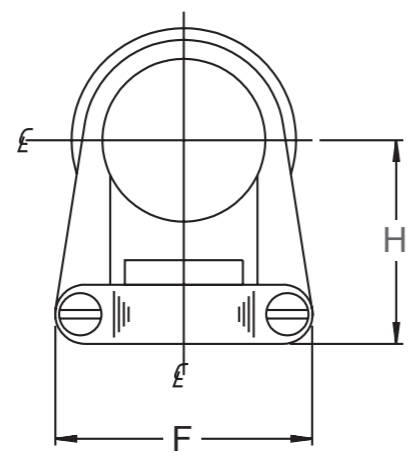
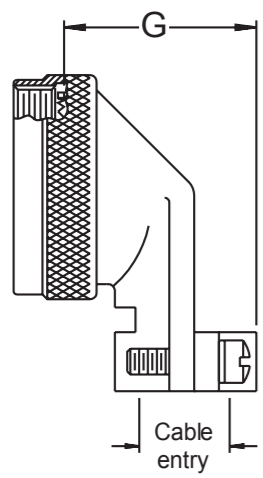


Table III

Connector designator		E		F		G		H		Cable entry	
Shellsize		max dimension		max dimension		max dimension		max dimension		min closed	max open
F3	F4										
08	09	0.910	(23.1)	0.850	(21.6)	1.160	(29.5)	1.000	(25.4)	0.098 (2.5)	0.234 (5.9)
10	11	0.910	(23.1)	0.900	(22.9)	1.160	(29.5)	1.100	(27.9)	0.153 (3.9)	0.234 (5.9)
12	13	1.010	(25.7)	1.100	(27.9)	1.240	(31.5)	1.100	(27.9)	0.190 (4.8)	0.328 (8.3)
14	15	1.060	(26.9)	1.150	(29.2)	1.410	(35.8)	1.250	(31.8)	0.260 (6.6)	0.457 (11.6)
16	17	1.160	(29.5)	1.300	(33.0)	1.580	(40.1)	1.300	(33.0)	0.283 (7.2)	0.614 (15.6)
18	19	1.410	(35.8)	1.500	(38.1)	1.600	(40.6)	1.350	(34.3)	0.325 (8.3)	0.634 (16.1)
20	21	1.510	(38.4)	1.600	(40.6)	1.680	(42.7)	1.600	(40.6)	0.343 (8.7)	0.698 (17.7)
22	23	1.660	(42.2)	1.700	(43.2)	1.820	(46.2)	1.750	(44.5)	0.381 (9.7)	0.823 (20.9)
24	25	1.760	(44.7)	1.800	(45.7)	1.930	(49.0)	1.850	(47.0)	0.418 (10.6)	0.853 (21.7)

Table I

Connector range	Connector designator
AS81703 Series III	A1
BACC63 CT/CU/DB/DC	F4
EN2997	A1
EN3645	F4
EN3646	A1
ESC 10 & 11	A1
MIL-C-38999 Series I & II	F3
MIL-C-38999 Series III & IV	F4
MIL-DTL-26482 Series II	A1
MIL-DTL-5015	A1
Mil-DTL-83723 series I & III	A1
Other	Please consult us

Table II

Finish	Associated code
Aluminum / Cadmium olive drab	C
Aluminum / Cadmium over Electroless Nickel	CN
Aluminum / Electroless Nickel	N
Aluminum / Black Zinc Nickel	ZF
Aluminum / Teflon Nickel	FN
Aluminum / Black Anodize	AB
Stainless steel / Passivate	P
Other	Please consult us

Connector designator

Shellsize	E	F	G	H	Cable entry	
	max dimension		max dimension		max dimension	
A1					min closed	max open
08	0.630	(16.0)	0.752	(19.1)	0.125 (3.2)	0.204 (5.2)
10	0.740	(18.8)	0.832	(21.1)	0.187 (4.7)	0.286 (7.3)
12	0.860	(21.8)	0.988	(25.1)	0.291 (7.4)	0.416 (10.6)
14	0.860	(21.8)	1.046	(26.6)	0.351 (8.9)	0.476 (12.1)
16	1.000	(25.4)	1.319	(33.5)	0.501 (12.7)	0.625 (15.9)
18	1.240	(31.5)	1.451	(36.9)	0.518 (13.2)	0.706 (17.9)
20	1.360	(34.5)	1.557	(39.5)	0.581 (14.8)	0.831 (21.1)
22	1.490	(37.8)	1.653	(42.0)	0.644 (16.4)	0.956 (24.3)
24	1.610	(40.9)	1.775	(45.1)	0.706 (17.9)	1.081 (27.5)
28	1.760	(44.7)	2.020	(51.3)	0.750 (19.1)	1.187 (30.1)

Notes

Metric dimensions are shown in parentheses for reference only.

Cable entry is defined as the envelope area of the cable or wire bundle. It is not intended for inspection criteria.

Tolerance
 Unless otherwise specified:
 .X ± .060 (1.5)
 .XX ± .030 (0.8)
 .XXX ± .015 (0.4)
 Angles ± 5 degrees

SUNBANK

Strain relief clamp adapter