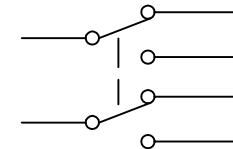
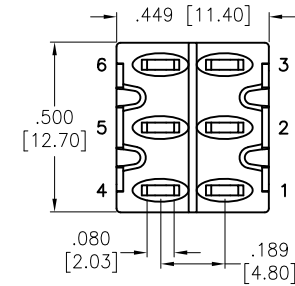
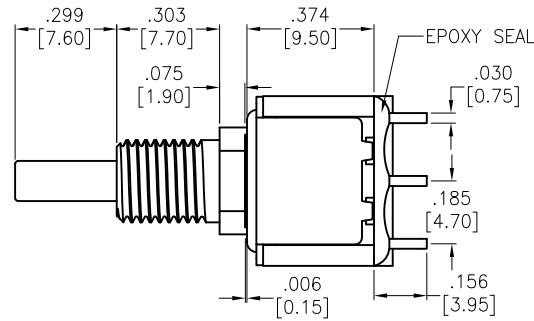
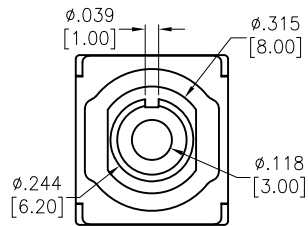


APPROVED: _____
 DATE: _____ TITLE: _____

| Rev | AWO # | Description | Date | Appr |
|-----|-------|-------------|--------|------|
| - | | RELEASED | 3/4/21 | |



CIRCUIT DIAGRAM
(DPDT) ON-ON

SPECIFICATIONS:

Material:
 Movable Contact: Copper Alloy, Silver Plated
 Terminal: Copper Alloy, Silver Plated
 Electrical:
 Rating:
 6 Amps with resistive load @ 125VAC or 28VDC
 3 Amps with resistive load @ 250VAC
 Contact resistance: 10 mΩ max
 Insulation resistance: 1,000 Mohms min
 Dielectric withstanding voltage: 1,500V RMS @Sea level
 Temperature Rating:
 Operating temperature: -30°C to +85°C
 Environmental:
 Lead free, RoHS compliant



UNLESS OTHERWISE SPECIFIED
 ALL DIMENSIONS ARE INCHES [MM]
 TOLERANCES: EXCEPT AS NOTED
 INCHES HOLES
 .X ± .10 Ø.X ± .10
 .XX ± .020 Ø.XX ± .015
 .XXX ± .015 Ø.XXX ± .010



909 Rahway Avenue,
 Union, NJ 07083
 Phone: 908-687-5000
 Fax: 908-687-5710

| APPROVALS | | DATE |
|-----------|----|--------|
| DRAWN | WX | 3/4/21 |
| CHECKED | AC | 3/4/21 |
| APPROVED | | |

| | | |
|---|-------------------|-------------------------|
| TITLE | | |
| PUSHBUTTON SWITCH, ON-ON, DPDT COPPER ALLOY SILVER PLATED, SOLDER TYPE | | |
| SIZE | PART NO. | REV. |
| X | SW-PB8-BA00A1QE-3 | - |
| REF: | S00198T | SCALE: NTS SHEET 1 OF 1 |