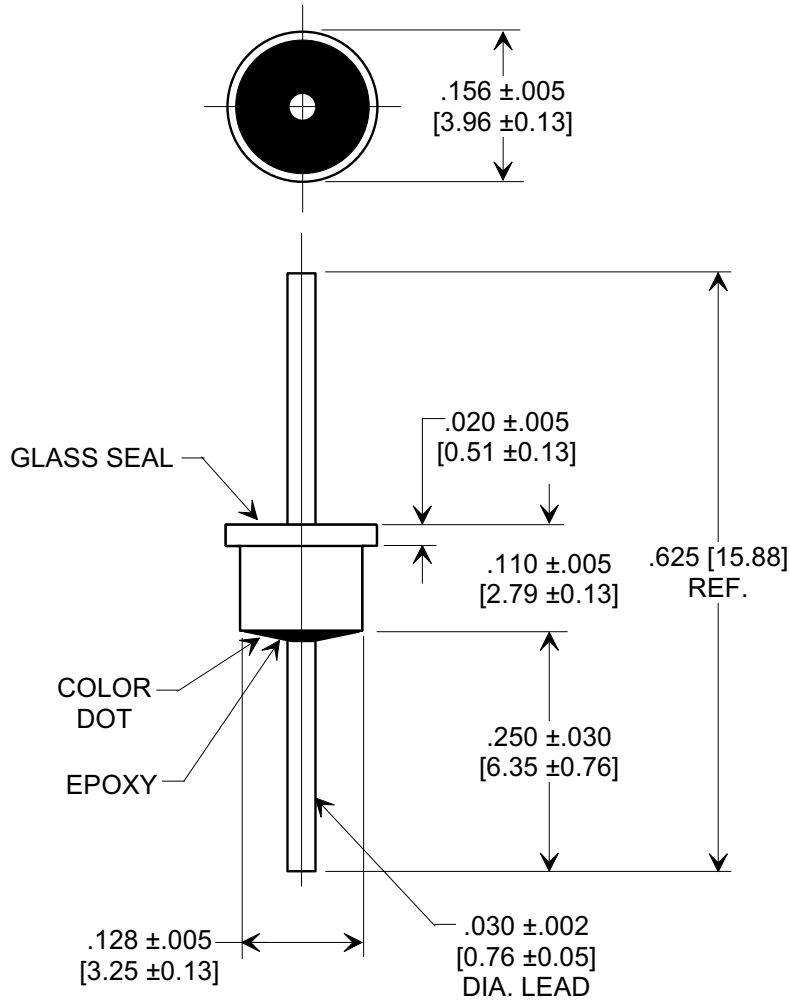


MARKETING SALES DRAWING
 DIMENSIONS IN INCHES - DO NOT SCALE THIS DRAWING
 DIMENSIONS IN METRIC - []

Electrical Testing
 per Tusonix standard
 test plans and Mil-Std-202
 Test Methods.



NOTES:

1. Operating temperature range: -55°C to +125°C.
2. Gold plated case and lead.
3. Epoxy sealed on opposite end from glass seal.
4. Max. recommended soldering temperature: 260°C.
See installation recommendations.
5. Recommended mounting hole: .135 dia.
6. Solder preform available for mounting.
7. Tusonix Standard part number: 4300-025.
Tusonix RoHS compliant part number: 4300-025 LF.
Customer must specify Standard or RoHS part number when ordering.
8. RoHS compliant part marked with additional dark green dot for identification.

| Cx (pF) | TOL. | DC WORKING VOLTAGE | | I.R. MIN. @ 100 (VDC.) | DWV (VDC) | DC CURRENT (AMPS) | MIN. NO LOAD INSERTION LOSS (dB) @ 25° C PER MIL-STD-220 | | | | | COLOR CODE |
|---------|------|--------------------|-------|------------------------|-----------|-------------------|--|--------|---------|-------|--------|------------|
| | | 85°C | 125°C | | | | 1 MHz | 10 MHz | 100 MHz | 1 GHz | 10 GHz | |
| 10,000 | GMV | 70 | 50 | 10 G | 150 | 5 | 4 | 20 | 35 | 50 | 60 | BLACK |

X-2015 Rev-0

| | | | | | | |
|------------------------|--------------------------------------|--|--|------------------------|---|-----------|
| REVISION RECORD | Original Release C.O. 5261 | VARS 025, 026, 027 & 1MHz COLUMN ADDED. L.E. 11-07-90 VARS 681 WAS 030 & VAR 031 ADDED. L.E. 06-10-91 VARS 5966 RDN TO COMP FMP. STYLE DWG SPLIT FOR EACH VAR. S.M. 10-02-02 20021001-8-05 ADDED NOTES 7 & 8. S.M. 05-23-05 20050511-2-26 | --TOLERANCES-- Unless Otherwise Specified | | Title SOLDER MOUNT EMI FILTER | |
| | | | DECIMAL ± NOTED | Drawn S.M. 10-02-02 | | Scale 5 X |
| | | | ANGLES ± | Approved T.C. 10-02-02 | | |
| | | | TUSONIX TUCSON, ARIZONA | A | 4300-025 | |