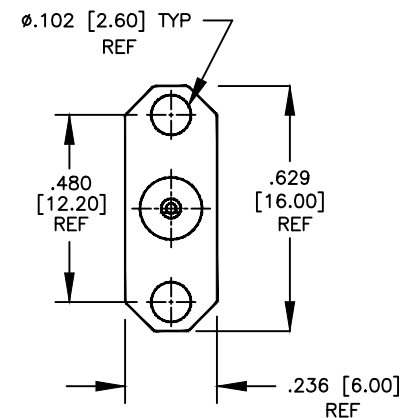
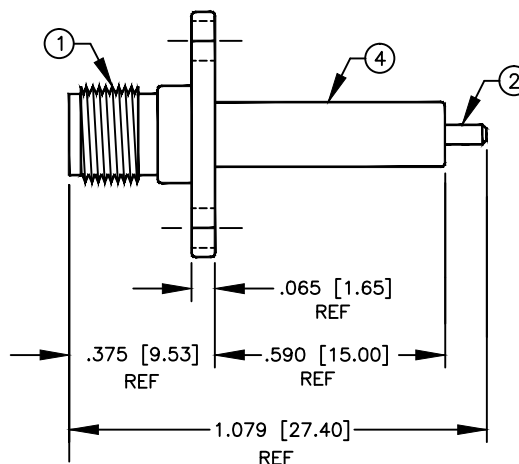
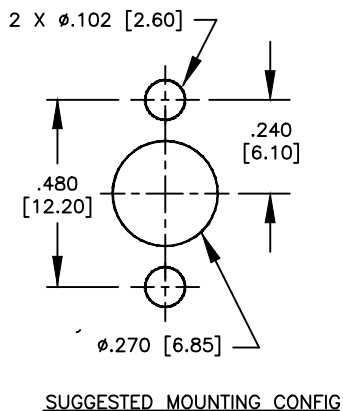


SPECIFICATION CONTROL DRAWING

THIS DRAWING CONTAINS INFORMATION PROPRIETARY TO RF INDUSTRIES, LTD. ANY UNAUTHORIZED USE OF THIS DRAWING IS EXPRESSLY PROHIBITED. ANY VIOLATION IS PUNISHABLE UNDER U.S. COPYRIGHT LAWS.

REV	DESCRIPTION	DWN	DATE	APPROVED
A	ENGINEERING RELEASE	WMD	11/17/93	C. JONES
B	CHANGED PART NUMBER FROM RSA-2362-ED TO RSA-3269	WMD	12/31/93	C. JONES
C	CHANGE CONTACT TO BERYLLIUM COPPER	KMM	8/26/96	R. RICE

008974



SPECIFICATIONS:

IMPEDANCE: 50 OHMS
 WORKING VOLTAGE: 335 VRMS @ SEA LEVEL
 FREQUENCY RANGE: 0-12.4 GHz

DIMENSIONS ARE IN INCHES AND [MILLIMETERS]

UNLESS OTHERWISE NOTED TOLERANCES ARE:

DECIMALS	DIAMETER
.XXX±.003 [.08]	.XXX±.001 [.03]
.XX±.005 [.13]	.XX±.003 [.08]

DRAWN	K. MAXWELL	8/26/96
CHECKED		
ORJ DRAWN	K. MAXWELL	11/17/93

APPROVALS	DATE
-----------	------

RFconnectors
 DIVISION OF RF INDUSTRIES, LTD.

7610 MIRAMAR RD
 SAN DIEGO, CA 92126
 (619)549-6340
 (619)549-6345 FAX

RSA-3269

SMA FEMALE BULKHEAD,
 2 HOLE FLANGE WITH EXTENDED DIELECTRIC

ITEM	DESCRIPTION	QTY	MATERIAL	FINISH
5	RETAINING RING	1	BRASS	NICKEL
4	DIELECTRIC	1	PTFE	NONE
3	DIELECTRIC	1	PTFE	NONE
2	CONTACT	1	BeCu	GOLD
1	BODY	1	BRASS	NICKEL

SIZE	CABLE GROUP	DWG NO.	REV
A	N/A	8258	C

SCALE: 2:1	CAD FILE 13ARC B	SHEET 1 OF 1
------------	------------------	--------------