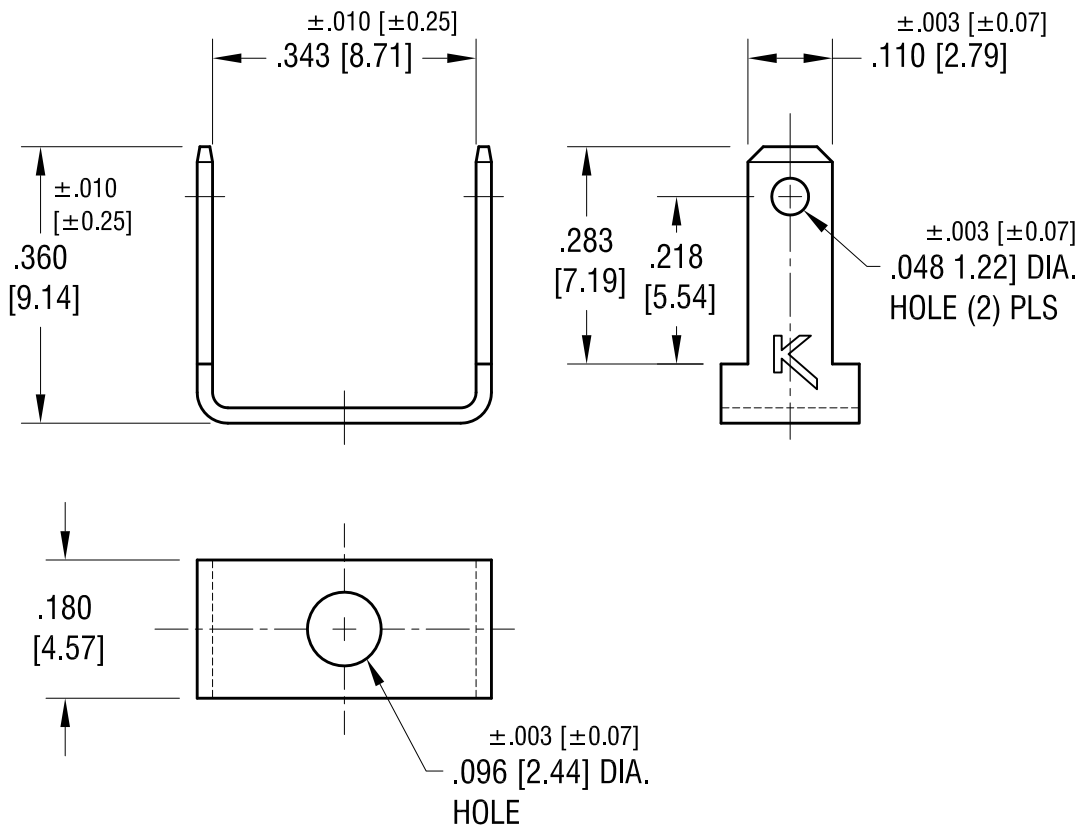


THIS DOCUMENT IS THE PROPERTY OF  
KEYSTONE ELECTRONICS CORP. AND  
SHALL NOT BE REPRODUCED, DISTRIBUTED  
OR USED AS A BASIS FOR MANUFACTURE  
WITHOUT PRIOR WRITTEN PERMISSION  
FROM KEYSTONE ELECTRONICS CORP.

ACTUAL SIZE



|         |                          |      |
|---------|--------------------------|------|
| 5.13.19 | CHANGE AS PER ECN-050    | D    |
| 5.17.17 | CHANGE AS PER ECR 17-025 | C    |
| 8.23.12 | CHANGE AS PER ECN 12-115 | B    |
| 4.12.01 | CHANGE AS PER ECN 01-023 | A    |
| DATE    | DESCRIPTION              | REV. |

|   |                 |                         |             |
|---|-----------------|-------------------------|-------------|
| <b>KEYSTONE ELECTRONICS CORP.</b>                               |                 |                         |             |
| www.keyelco.com • ASTORIA, N.Y. 11105-2017 • Tel (718) 956-8900 |                 |                         |             |
| PART NAME   |                 | .110 QUICK-FIT TERMINAL |             |
| MATERIAL  |                 | .020 [0.50] TH'K BRASS  |             |
| FINISH  |                 | DRN BY                  | DATE        |
| BRIGHT BRASS  |                 | BOONE                   | 4.15.96     |
|   |                 | APP'D                   | SCALE       |
|   |                 | LN                      | 4X          |
| TOLERANCES  | INCH [MM]       | CODE                    | DWG NO.     |
| DECIMAL   | ± .005 [± 0.15] | C                       | <b>2003</b> |
| ANGULAR   | ± 1°            |                         |             |
| UNLESS OTHERWISE SPECIFIED                                      |                 |                         |             |