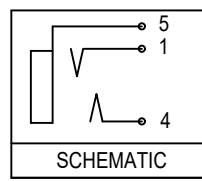
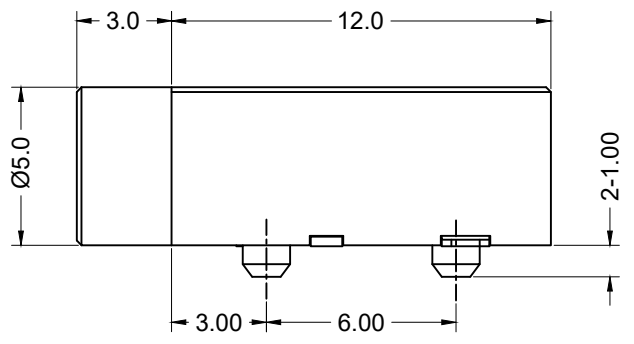
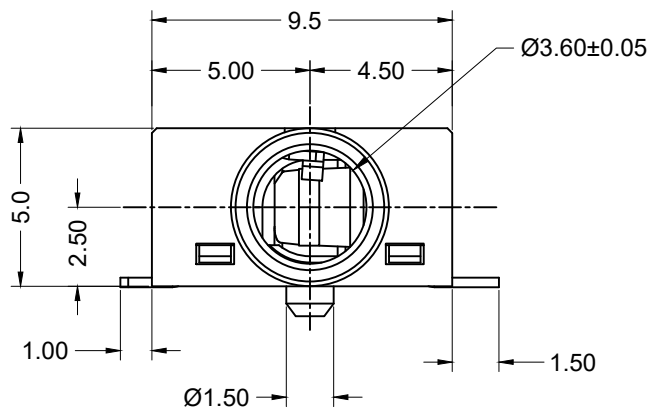


RECOMMENDED PADS LAYOUT  
<TOP VIEW>

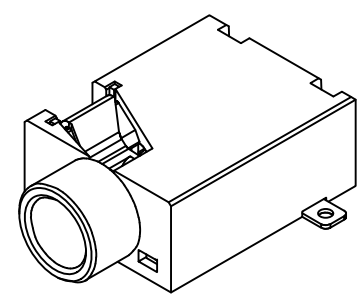


**Material and Finish**

Housing: High Temp Plastic  
 Terminals: Copper Alloy,  
 Gold Plated.

**Electrical Characteristics**

Contact Resistance:  
 Before Test: 50 milliohms max.  
 After Durability Test:  
 100 milliohms max.  
 Rated Voltage: 16V DC  
 Rated Current: 0.3A  
 Insulation Resistance:  
 100 Megohms min.  
 at 500V DC  
 Dielectric Strength:  
 500V AC RMS for 1 minute  
 Operating Temp:  
 -25°C to +70°C



**RoHS COMPLIANT**



Tolerances
X.X ± 0.25
X.XX ± 0.15
Unless Stated Otherwise

REV.	DATE	DESCRIPTION	REV. BY	CHK. BY	DRAWN BY	DATE
A0	1/10/08	New Drawing	WILL H.	H. MA	WILL H.	1/11/08
A1	3/5/08	Release Drawing	H. MA	N/A		
A2	09/14/09	ECO #09-070	S. Vien	H. MA		
A3	08/14/18	Update Address	D. Shehan	N/A		

**STX-35332-3N-TR**

Ø3.5mm phone Jack, SMT Type  
 Stereo, 3 Pins, RoHS Compliant

