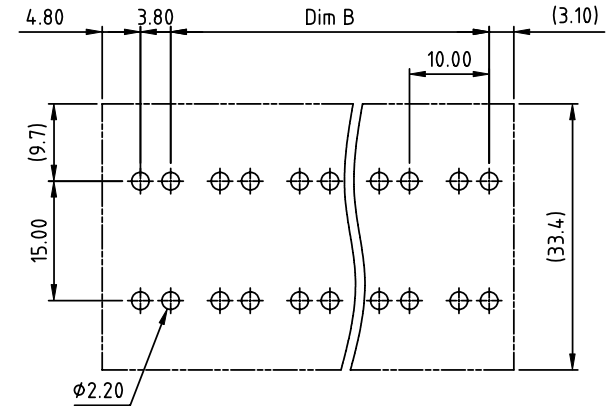
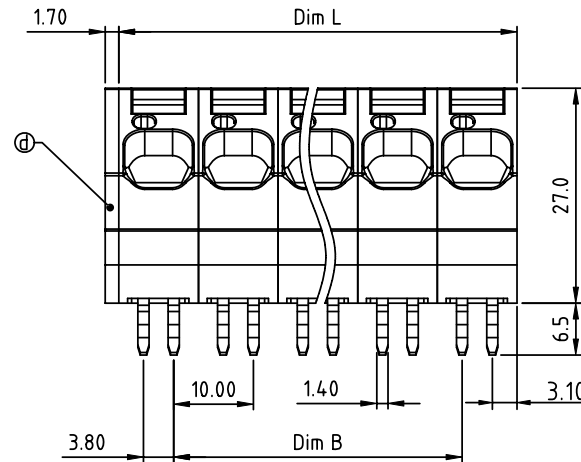
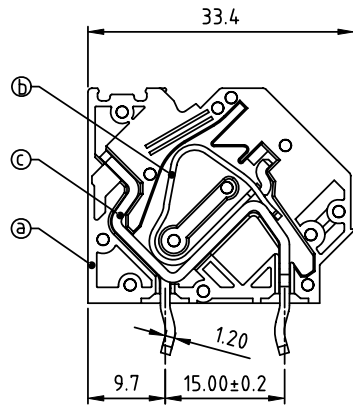


PRODUCT NUMBER	PITCH
H8xx00x000J0G	10.00mm



RECOMMENDED P.C.B LAYOUT
TOP VIEW

Material:

- Item① Insulator(housing): Thermoplastic (UL94V-0)
- Item② Spring clamp: Stainless steel
- Item③ Terminal Body(solder pin): Copper.Tin platd
- Item④ Insulator(Cover): Thermoplastic (UL94V-0)

Electrical:

- | | | |
|-------------------------|------------------------|------|
| | cULus | IEC |
| ●Voltage rating: | 300V | 250V |
| ●Current rating: | 37A | 76A |
| ●Wire range: | 0.2-16 mm ² | |
| ●Solid wire(AWG): | 6-24 | |
| ●Stranded wire(AWG): | 6-24 | |
| ●Wire strip length: | 12-13mm | |
| ●Withstanding Voltage: | 1.6KV | 4KV |
| ●Operating temperature: | -40°C to +115°C | |
| ●Soldering temperature: | 260°C±5°C/5 Sec | |
| ●Safety Approval: | | |

N=Number of poles
Dim L=Nx10.0
Dim B=(N-1)x10.0

Poles	Dim L	Dim B
2-6p	±0.15	±0.15
7-12p	±0.25	±0.25

PART NO.: H8 xx 00 x 000J0 G

		Color	RoHS compliant
No. of poles	0	Black (RAL9005)	(lead<4%)
End Stackable	2	Red (RAL3001/D)	In copper Alloy
02 2 poles	3	Orange(RAL2011/P)	
03 3 poles	4	Yellow(RAL1018/A)	
...	5	Green(RAL6018/T)	
12 12 poles	6	Blue (RAL5015/A)	
	8	Grey(RAL7004/P)	
	9	White(RAL1102)	
	C	Multiple colors	

mat'l. code		surface ASME Y14.5	tolerance ASME Y14.5	projection 	product family TERMINAL BLOCK
ltr	ecn no	dr	date	MM	title TERMINAL BLOCK SPRING CLAMP,45D WIRE INLET
tolerances unless otherwise specified					
angles		X.±0.5		scale	dwg no H8xx00x000J0G
X*±1°		X.XX±0.1			
dr	ENGR	EVIN ZHONG	053114		sheet 1 of 1
enr	EVIN ZHONG	053114			size A4
chr	HANKE FENG	053114			type CUSTOMER Drawing
appd	SHI JUN	053114			
sheet index	revision sheet	A	1		