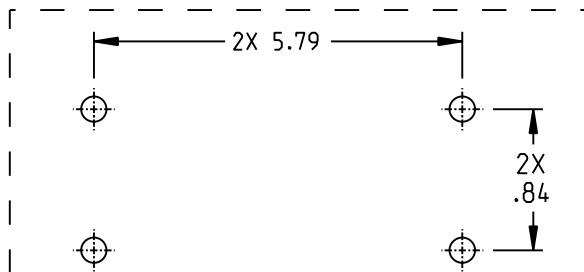
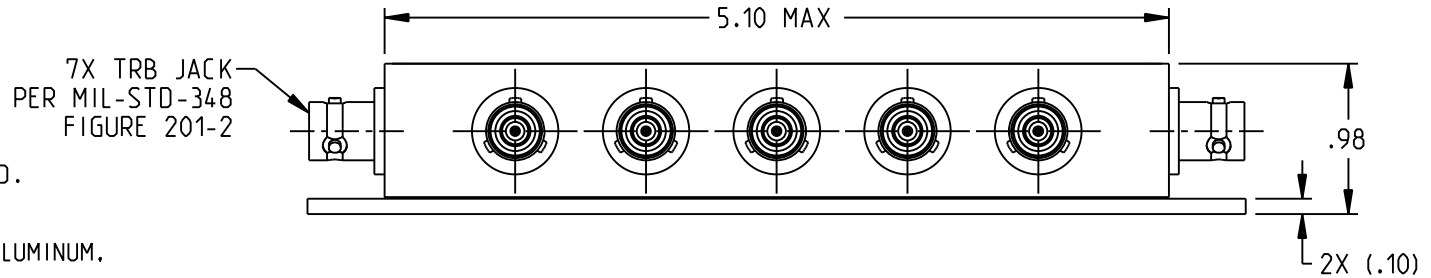
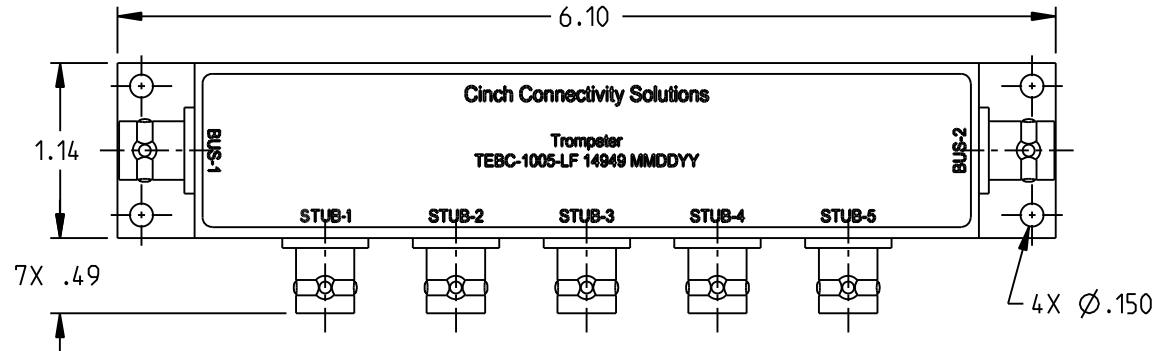
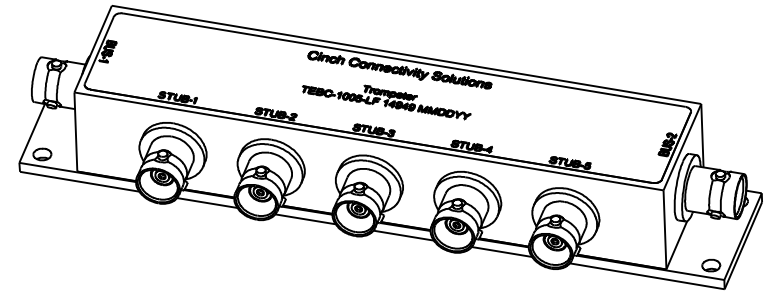
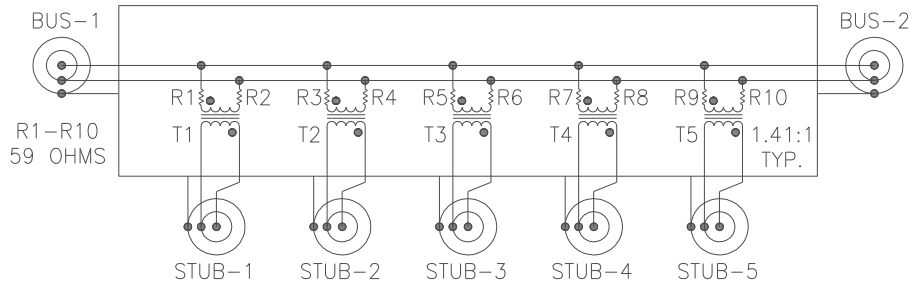


SCHMATIC



RECOMMENDED MOUNTING HOLE PATTERN

NOTES: UNLESS OTHERWISE SPECIFIED.

1. MATERIAL & FINISH:

1.1 COUPLER HOUSING: ANODIZED ALUMINUM, PAINTED BLUE

1.2 TRB JACK:

1.2.1 BODY: NICKEL PLATED BRASS

1.2.2 INSULATOR & DIELECTRIC: PTFE (TEFLON)

1.2.3 CENTER CONTACT: GOLD PLATED BERYLLIUM COPPER

2. ELECTRICAL:

2.1 DROOP: 20% MAXIMUM

2.2 OVERSHOOT AND RINGING:  $\pm 1.0V$  PK-PK

2.3 TRANSFORMER RATIO: 1.41CT-CT

2.4 FAULT PROTECTION: 59 OHM  $\pm 1\%$ ,

2 WATTS PER MIL-PRF-39007

2.5 COMMON MODE REJECTION: -55dB @ 1 MHz

3. ENVIRONMENTAL:

3.1 OPERATING TEMPERATURE: -55°C TO 125°C.

<p>This PROPRIETARY Document is property of Cinch Connectivity Solutions. It is confidential in nature, non-transferable, and issued with the clear understanding that it is not traced or copied without permission and is returnable upon demand.</p> <p>INTERPRET DRAWING IN ACCORDANCE WITH ASME Y14.5-2009.</p>	<p>3RD ANGLE PROJECTION</p>	<p><b>TROMPETER</b></p>
	<p>RoHS2 <input checked="" type="checkbox"/></p> <p>2015/863/EU</p> <p>UNLESS OTHERWISE SPECIFIED UNITS: INCH</p> <p>.XX <math>\pm .03</math></p> <p>.XXX <math>\pm .015</math></p> <p>ANGLES <math>\pm 2^\circ</math></p>	<p>Title: TRB BUS COUPLER, UNTERMINATED, FIVE STUBS</p> <p>Model No. TEBC-1005-LF</p>
<p>Size A</p> <p>DO NOT SCALE DRAWING</p>	<p>Date: 4/8/2020</p>	<p>Sheet 1 OF 1</p>