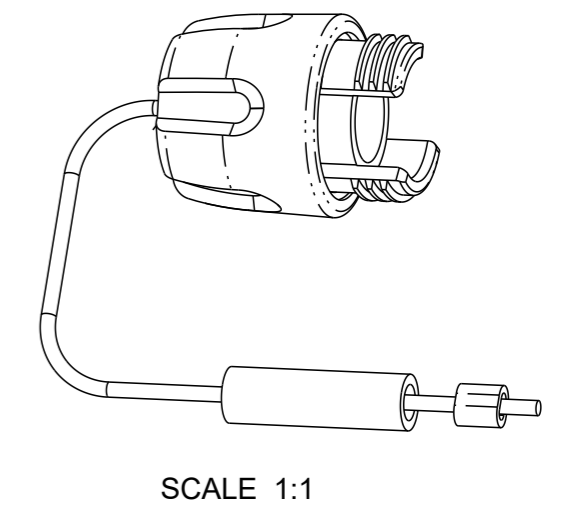
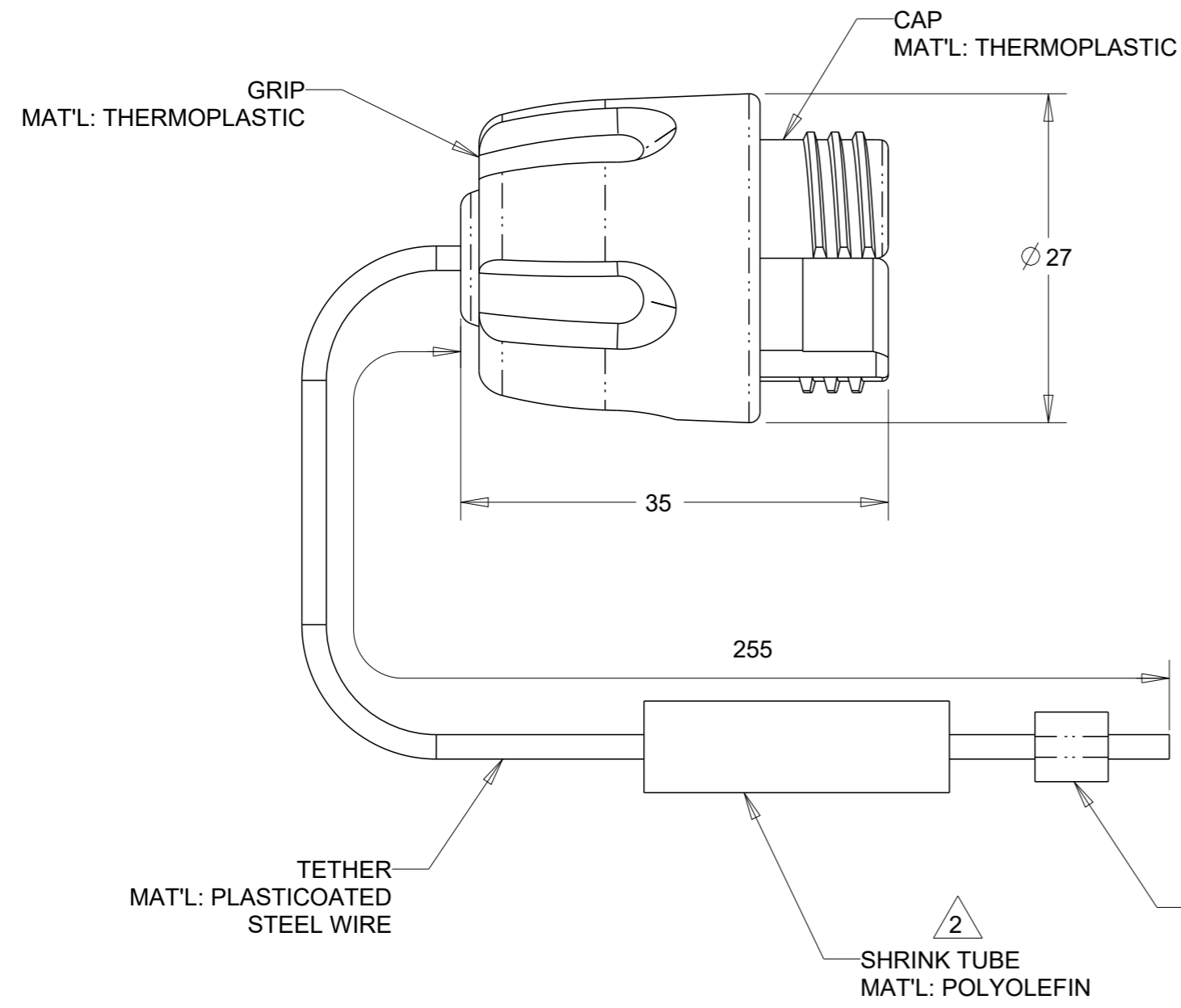


THIS DRAWING IS UNPUBLISHED. RELEASED FOR PUBLICATION 20
 © COPYRIGHT20 BY - ALL RIGHTS RESERVED.

LOC	DIST	REVISIONS			
P	LTR	DESCRIPTION	DATE	DWN	APVD
CE	-	E1	ECR-13-001022	18JAN2013	KG DW
		F	ECR-19-008989	17JUN2019	TS DW



1. ALL DIMENSIONS ARE FOR REFERENCE ONLY.
 2 TO BE COMPLETED BY END USER DURING CONNECTOR ASSEMBLY.

COLOR	DESCRIPTION	PART NUMBER
GREEN	AS SHOWN	1515867-4
BROWN	AS SHOWN	1515867-3
BLACK	WITHOUT SHRINK TUBE AND CRIMP SLEEVE	1515867-2
BLACK	AS SHOWN	1515867-1

THIS DRAWING IS A CONTROLLED DOCUMENT. DIMENSIONING AND TOLERANCING PER ASME Y14.5M-2009		DWN 12DEC2002 K.GLATFELTER	
DIMENSIONS: mm		CHK 16DEC2002 D.WERTMAN	
TOLERANCES UNLESS OTHERWISE SPECIFIED:		APVD 17DEC2002 D.WERTMAN	
0 PLC ±- 1 PLC ±- 2 PLC ±- 3 PLC ±- 4 PLC ±- ANGLES ±-		NAME PROTECTIVE CAP, PLUG, PRO BEAM JR. BULKHEAD PRO BEAM JR.	
MATERIAL -	FINISH -	PRODUCT SPEC -	SIZE A3
		APPLICATION SPEC -	CAGE CODE 00779
		WEIGHT -	DRAWING NO C-1515867
		Customer Drawing	RESTRICTED TO -
		SCALE 2:1	SHEET 1 OF 1
			REV F