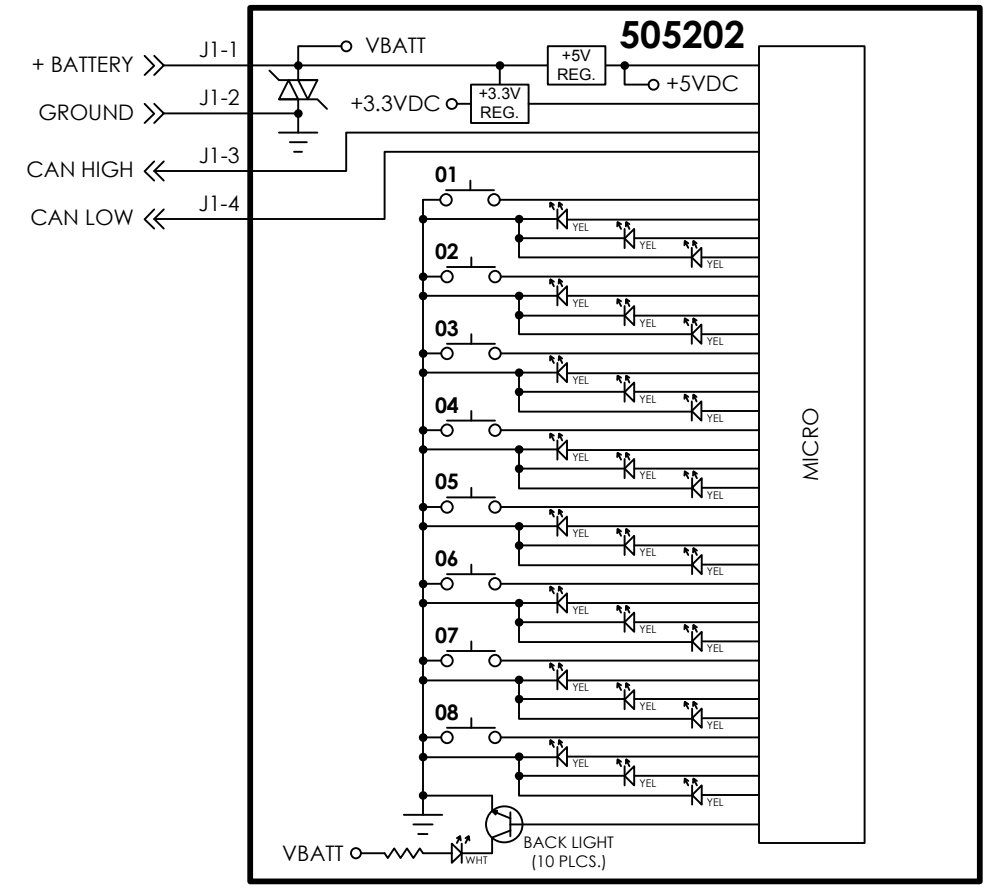
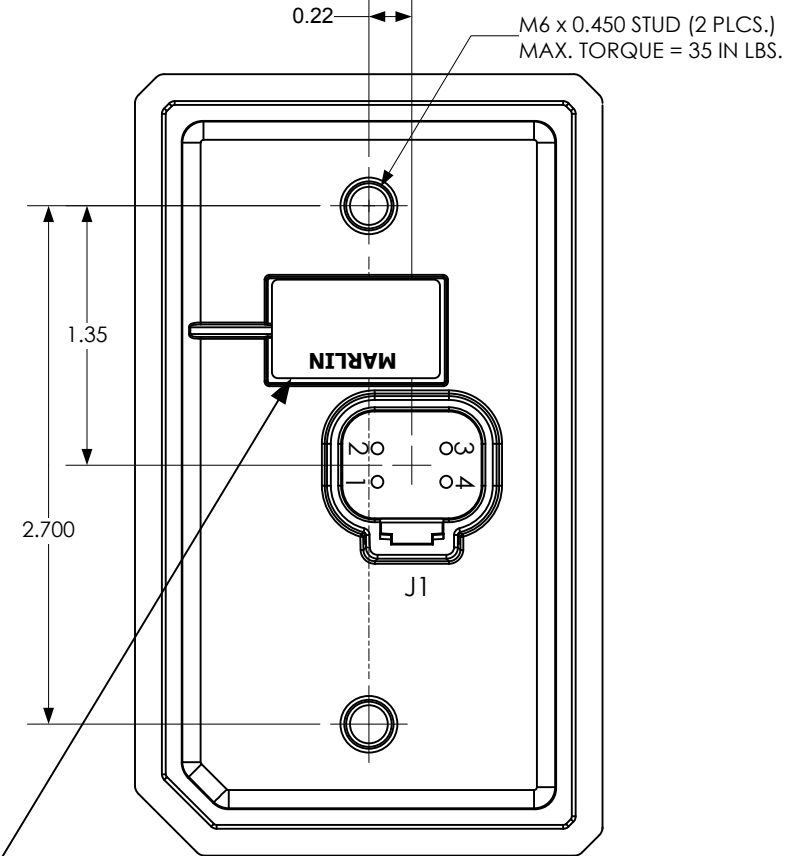
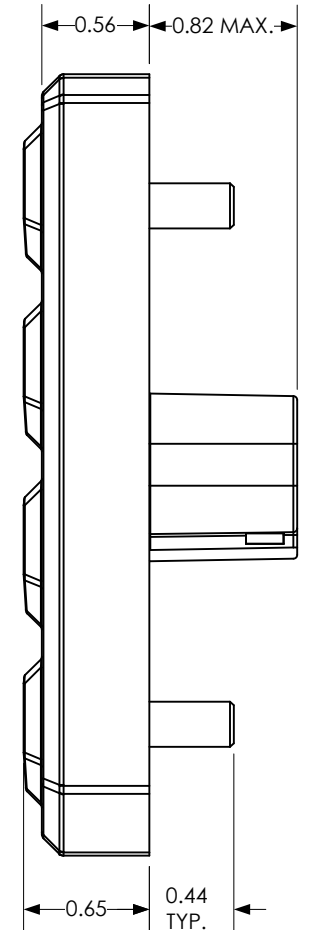
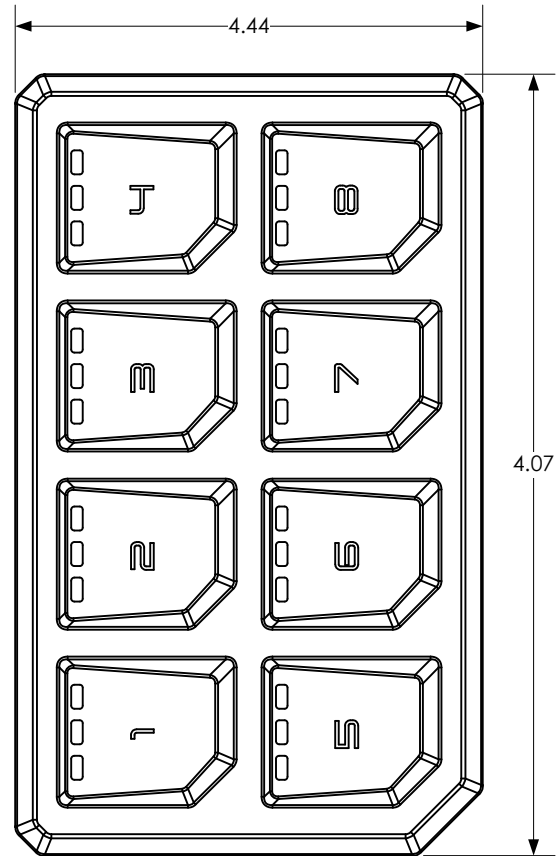


REVISIONS				
REV	DATE	ECN	DESCRIPTION	APVD
A	05/23/19	13168E	RELEASE TO PRODUCTION	SMJ



- NOTES:
1. OPERATING VOLTAGE: +9VDC TO +36VDC (+12VDC OR 24VDC NOMINAL).
 2. REFERENCE CAN COMMUNICATION SPECIFICATION: 13182S-
 3. HANDLING PRECAUTION: DO NOT FLEX OR TWIST ASSEMBLY.

MARLIN
505202
REV A
DATE YYWW
SOFTWARE
131765-

PRODUCT LABEL
REV=BOM REVISION
LABEL DATE CODE:
YY=YEAR OF MANUFACTURE
WW=WEEK OF MANUFACTURE

THE INFORMATION CONTAINED ON THIS
DRAWING IS PROPRIETARY AND CONFIDENTIAL
TO MARLIN TECHNOLOGIES INC. UNAUTHORIZED
USE OR DISTRIBUTION WITHOUT CONSENT IS
PROHIBITED.

UNLESS OTHERWISE SPECIFIED, DIMENSIONS
ARE IN INCHES AND TOLERANCES ARE

TWO PLACE DECIMAL +/- 0.05	THREE PLACE DECIMAL +/- 0.020	ANGLES +/-
----------------------------------	-------------------------------------	---------------

DO NOT SCALE DRAWING

CHECKED	S. JOHNSON	DATE	06/30/20
APPROVED	S. JOHNSON	DATE	07/13/20

MARLIN TECHNOLOGIES INC.

TITLE
OUTLINE, 505202
CONFIGURABLE 8 POS KYPD

SIZE B	DRAWING NUMBER 013170	TYPE O	REV A
DRAWN M. SCHELL	DATE 04/21/20	SHEET	1 OF 1