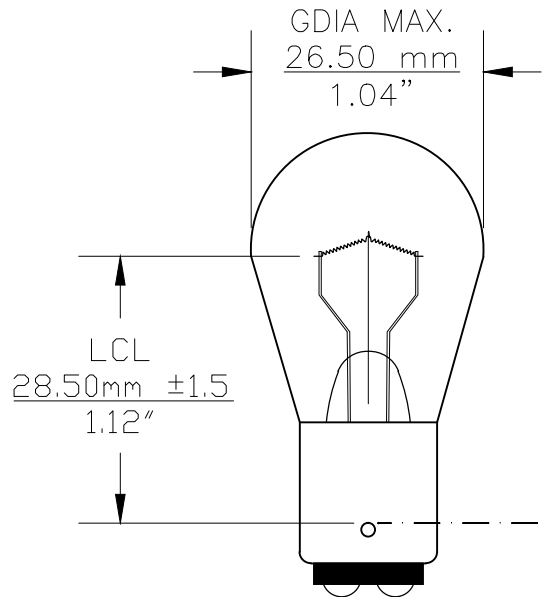
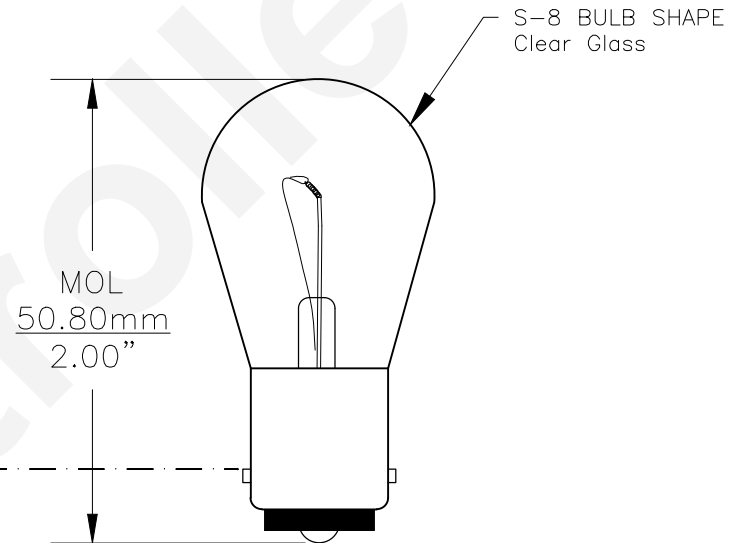




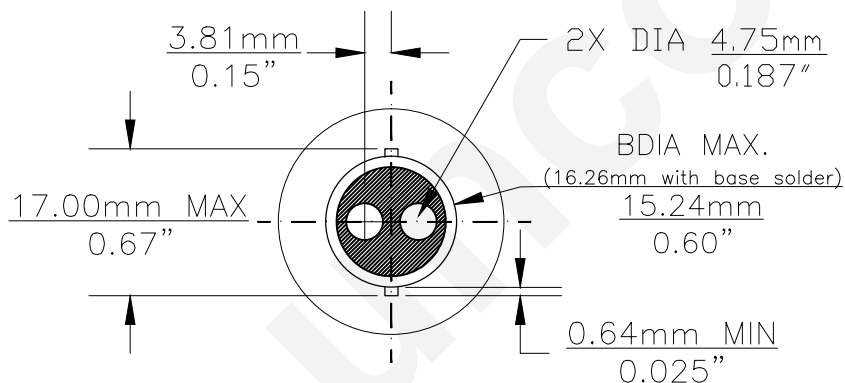
PART NO.	BASE TYPE	DESIGN VOLTS	DESIGN AMPS	MSCD	FILAMENT TYPE	AVERAGE LIFE HOURS	REVISIONS			
							REV #	DESCRIPTION	DATE	APPROVED
308	D.C. BAYONET (BA15d)	28.0V	0.67±10%	21±15%	C-2V	300	1	ISSUED	10/24/2014	R.M.



0° VIEW



90° VIEW



BASE BOTTOM VIEW



Note: Made according to SAE specifications

UNLESS OTHERWISE SPECIFIED: DIMENSIONS ARE IN INCHES TOLERANCES		CEC INDUSTRIES LTD			
DECIMALS	ANGULAR	599 BOND STREET		LINCOLNSHIRE, IL 60069	
.XX ± .05	± 0.5°	TITLE LIGHT BULB NO. 308			
.XXX ± .010	± 1/64	CHECKED	DATE	SCALE	PLOT SCALE
FRACTIONAL	± 1/64	ROSE MEDINA	10/24/2014	A	308
DRAWN		DWG NO.		REV	
ROSE MEDINA		308		1	
DESIGN		SHEET		1 OF 1	
MATERIAL		FILE		DRAWING NOT TO SCALE	
		308.pdf			