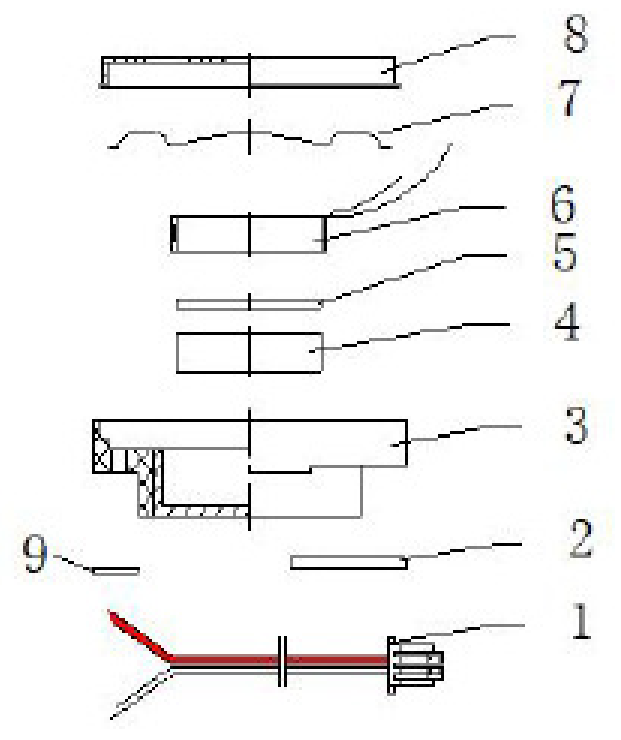
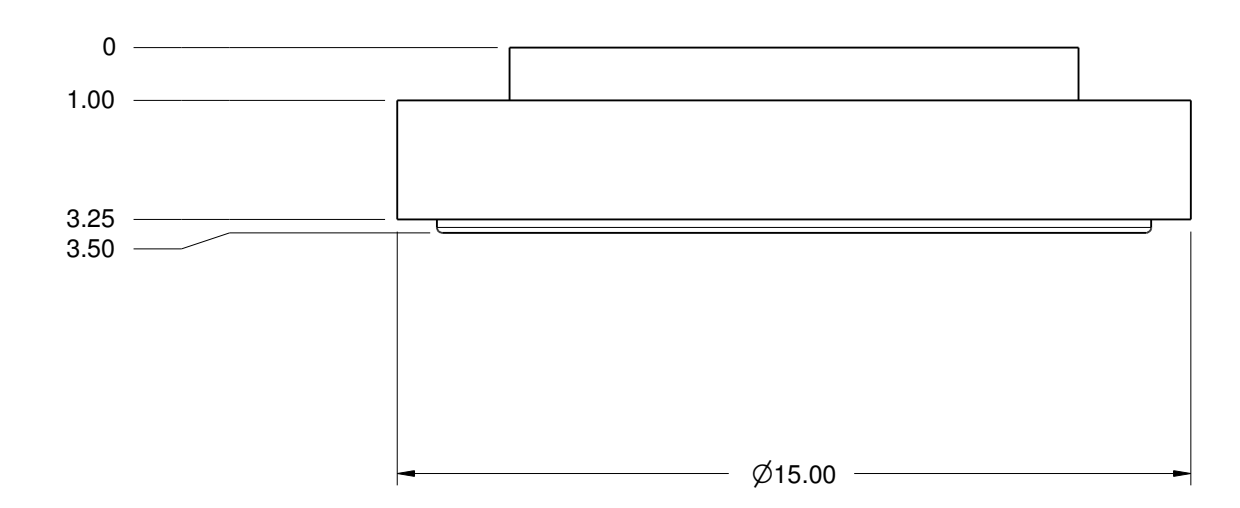
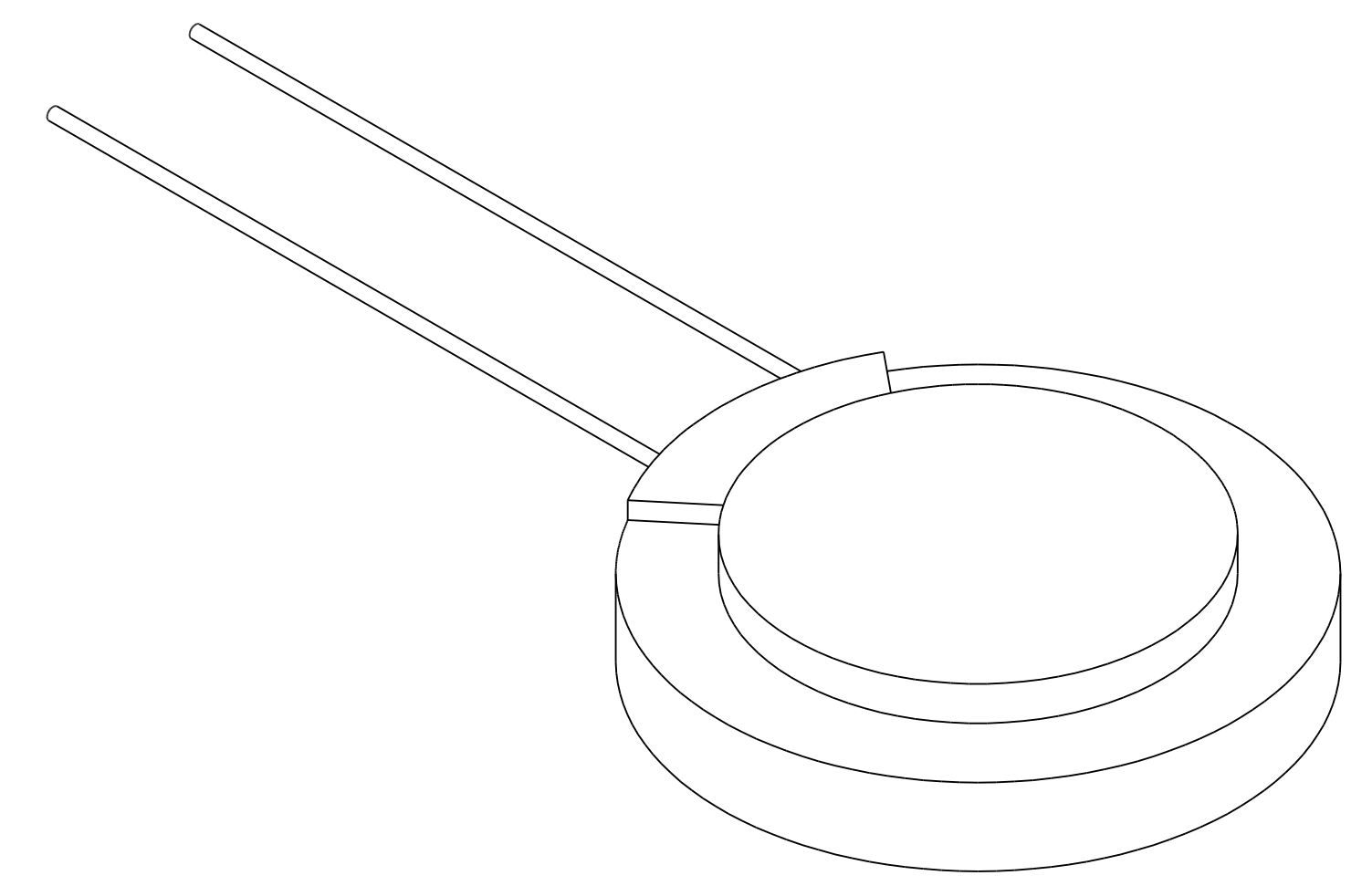
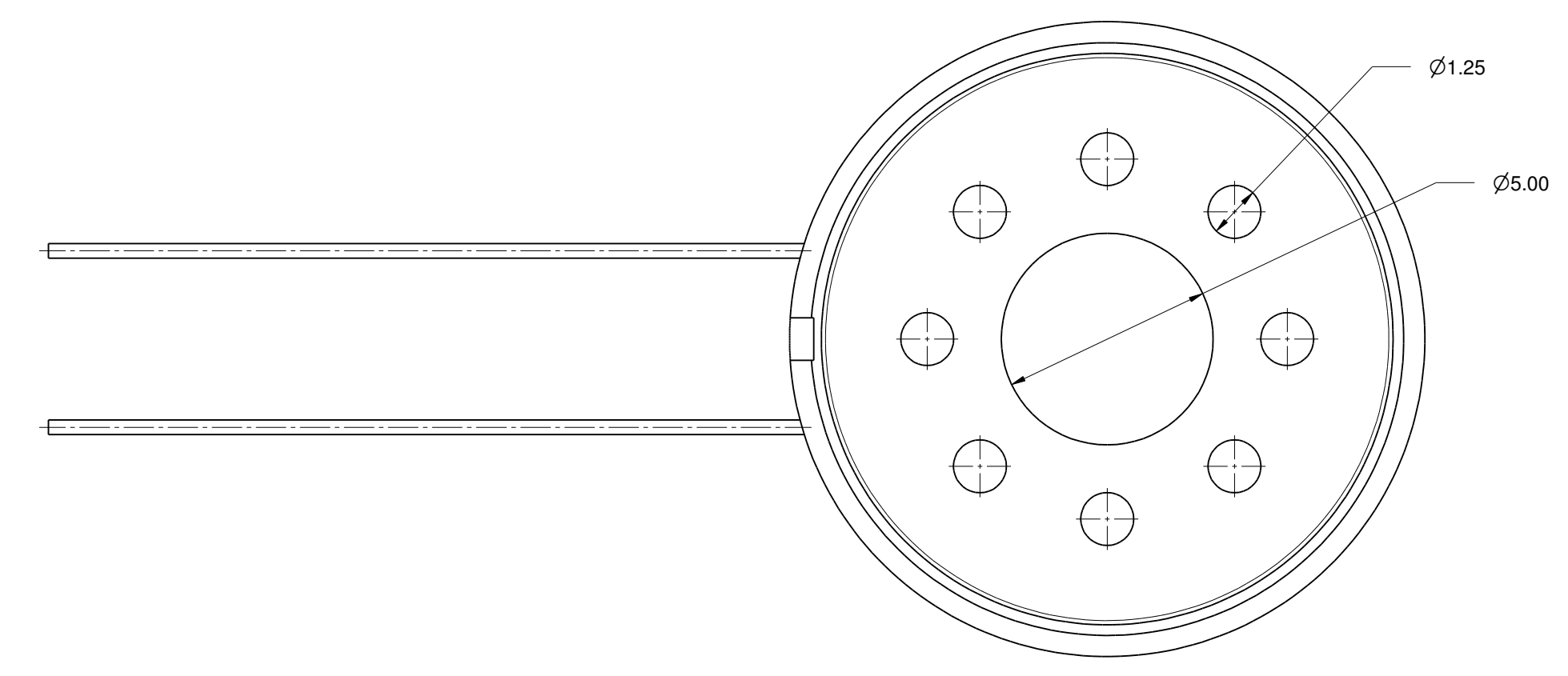
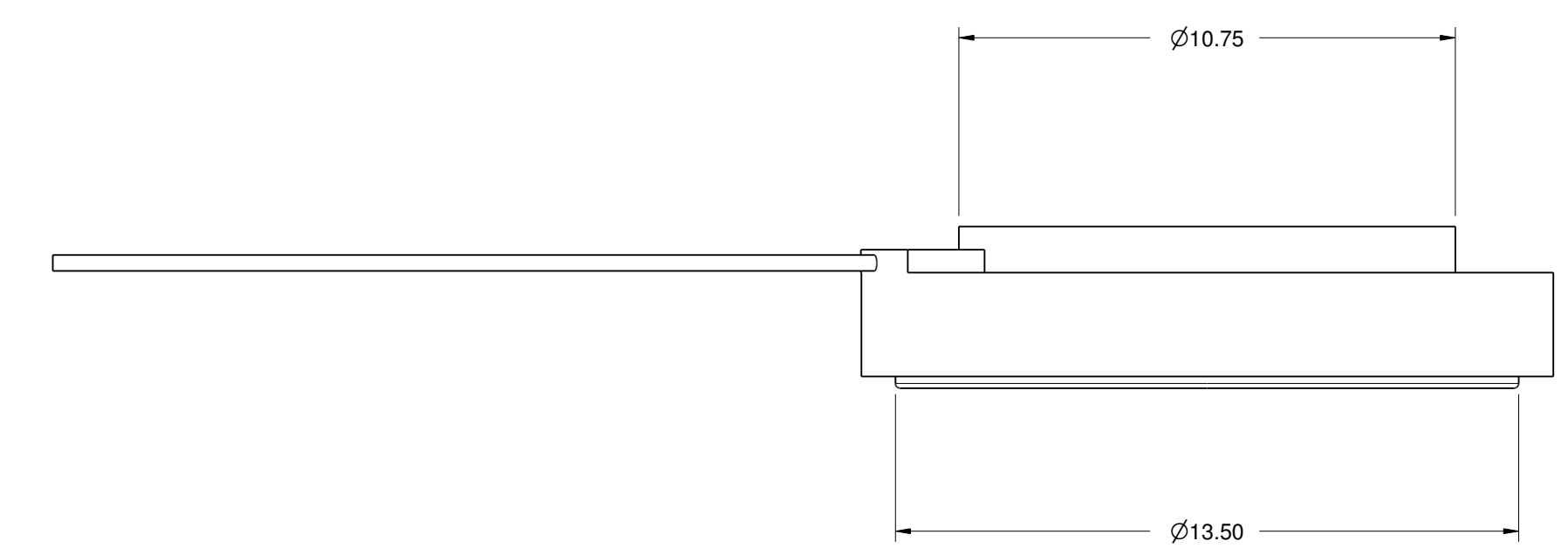
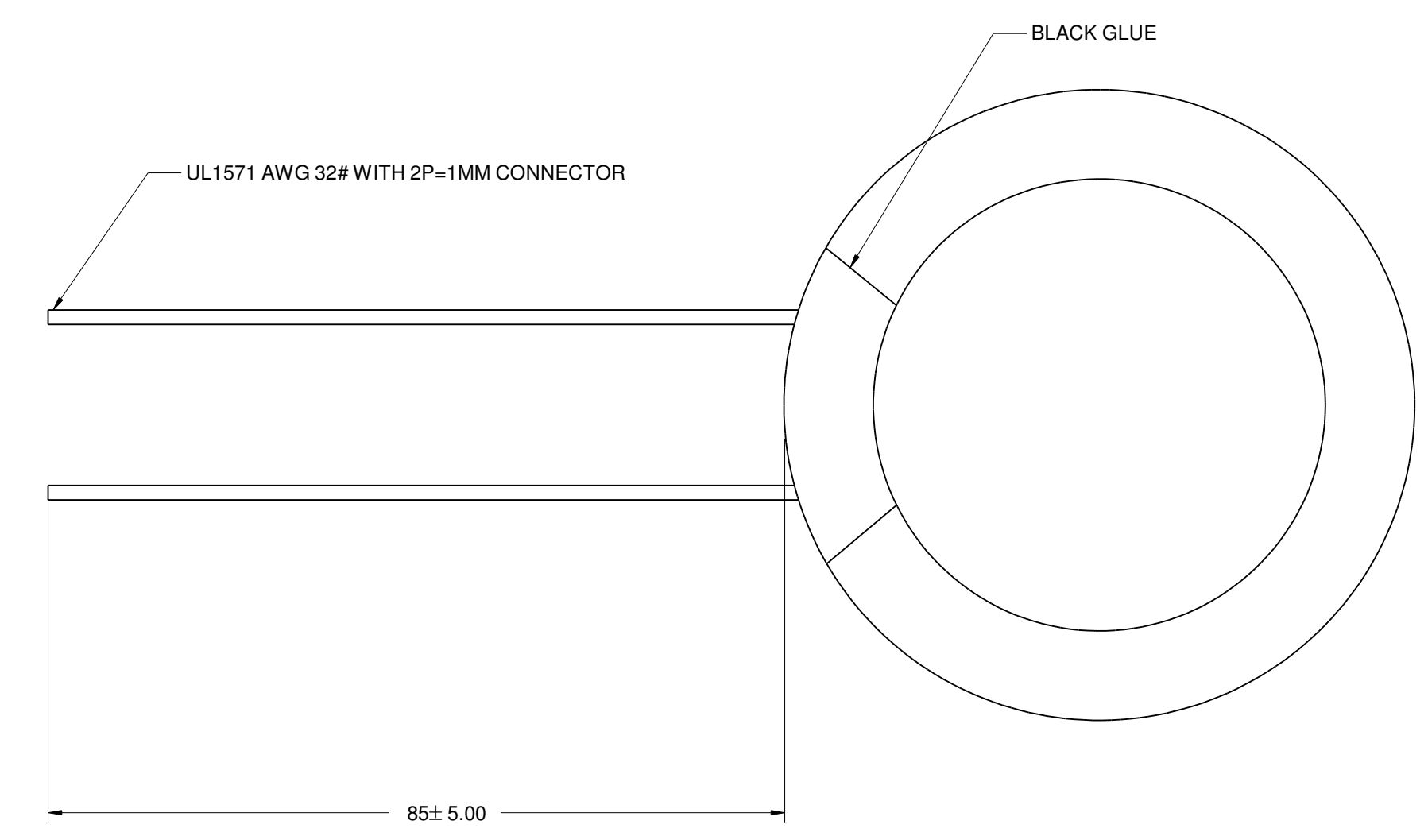


| REVISIONS | | | | |
|-----------|-----|-------------|------|----------|
| ZONE | REV | DESCRIPTION | DATE | APPROVED |
| | | | | |



| No. | Part Name | Material | Quantity |
|-----|---------------|-----------------------------|----------|
| 1 | UL1571 AWG32# | Red/Black | 2 |
| 2 | PCB | FR-4 | 1 |
| 3 | Frame | PBT | 1 |
| 4 | Main Magnet | Nd Fe B | 1 |
| 5 | Plate | SPCC | 1 |
| 6 | Voice Coil | Polyurethane Enamelled Wire | 1 |
| 7 | Diaphragm | PEN | 1 |
| 8 | Cap | SUS 201 | 1 |
| 9 | Silk Screen | Black Net | 1 |



| | | | |
|-------|----------|-----------|--------|
| SIZE | FSCM NO. | DWG NO. | REV |
| D | | SP-1503FW | |
| SCALE | 1:1 | SHEET | 1 OF 1 |