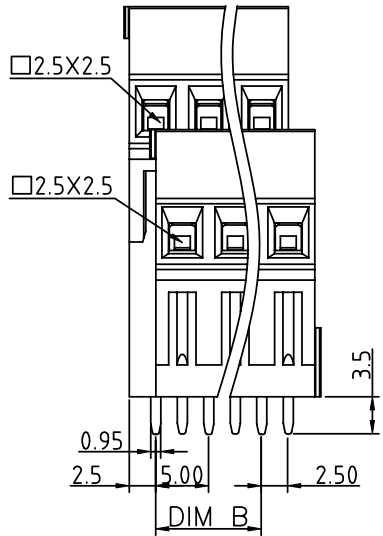
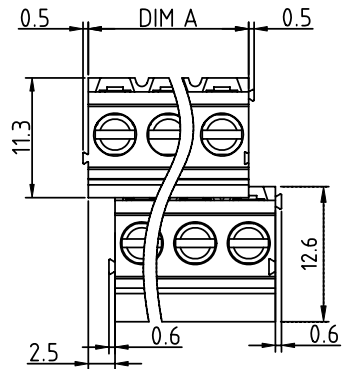


PRODUCT NUMBER	PITCH
YMxx21x000J0G	5.00 mm



DIMENSION

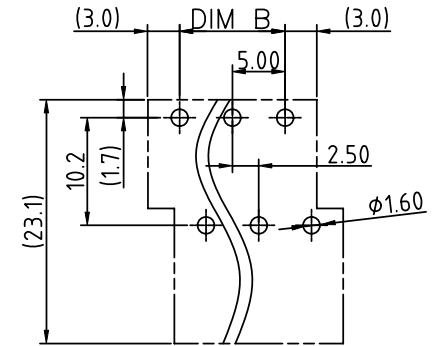
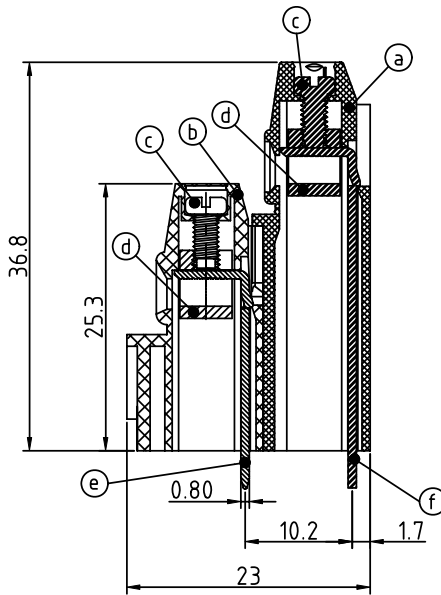
Dim A	N/2x5.0
Dim B	(N/2-1)x5.0

N=Number of poles

Poles	Tolerance
2x2p~2x8p	±0.15
2x9p~2x14p	±0.25
2x15p~2x20p	±0.35
2x21p~2x24p	±0.40

PART NO.: YM xx 2 1 x 0 00J0 G

End stackable	No. of poles	Color	RoHS compliant (lead<4%) In copper Alloy
0	2	Black (RAL9005)	
04	2x2 poles	Red (RAL3001/D)	
06	2x3 poles	Orange(RAL2011/P)	
...	...	4 Yellow(RAL1018/A)	
...	...	5 Green(RAL6018/T)	
48	2x24 poles	6 Blue (RAL5015/A)	
		8 Grey(RAL7035/D)	
		9 White(RAL1102)	
		C Green(RAL6018/U)	



RECOMMENDED P.C.B LAYOUT  
TOP VIEW

Material:

- Item(a) Terminal housing :Thermoplastic (UL 94V-0) (YF5.0)
- Item(b) Terminal housing :Thermoplastic (UL 94V-0) (YE5.0)
- Item(c) Terminal screw: Steel Zinc plating"- "slot type
- Item(d) Clamp: Brass, Ni plated
- Item(e) Solder pin1: Brass, Tin plated (YE)
- Item(f) Solder pin2: Brass, Tin plated (YF)

Electrical cULus

- Voltage rating: 300VAC
- Current rating: 10A
- Wire range:
- Solid wire(AWG): 12-24
- Stranded wire(AWG): 12-24
- Torque(Lb-In): 3.5
- Screw: M2.5
- Wire strip length: 6-7mm
- Withstanding Voltage: 1.6KV
- Operating temperature: -40°C to +115°C
- Soldering temperature: 260°C±5°C/5 Sec
- Safety Approval: cULus

mat'l. code		surface ASME Y14.5	tolerance ASME Y14.5	projection	product family TERMINAL BLOCK
ltr	ecn no	dr	date	tolerances unless otherwise specified	title TERMINAL BLOCK
				angles linear	MM
				X.±0.5	scale
				X.X±0.3	RSISING CLAMP,180D WIRE INLET,END STACKABLE,RIGHT TYPE
				X'±1"	X.XX±0.1
		dr	EVIN ZHONG	041114	dwg no
		enrg	EVIN ZHONG	041114	sheet 1 of 1
		chr	HANKE FENG	041114	YMxx21x000J0G
		appd	SHI JUN	041114	A4
sheet index	revision	A			type CUSTOMER Drawing
	sheet	1			