

Product Change Notice

Date:	November 3, 2020
Overview:	PN D2E097-CB01-48 was discontinued
Reason for Change:	Low global usage
Affected Part No(s):	D2E097-CB01-48
Design Change Detail:	PN D2E097-CB01-48 was discontinued due to low global usage. Suggested replacement is PN D2E097-CB01-12 (please see "comments" below for differences).
Effective Date:	Unspecified (between 2014 and 2018)
Last Time Buy Deadline:	N/A
Pricing:	N/A
ebm-papst employee:	Jeannine Zenobi
Attachments:	Datasheet for suggested replacement PN D2E097-CB01-12
Comments:	Suggested replacement is PN D2E097-CB01-12. Please note that, unlike original PN D2E097-CB01-48, PN D2E097-CB01-12 is not UL approved and does not have finger guards on the intake sides (please see datasheets for comparisons). Finger guard PN 83319-2-4039 can be purchased separately.

Form No: 1274	Quality Record - No	Page 1 of 1
Rev. – Orig, Released 08/28/14	Retention Period – 1 year	Dept. Owner – Sales/Marketing

D2E097-CB01-12

AC centrifugal fan

forward-curved, dual-intake

with housing (flange)



ebm-papst Mulfingen GmbH & Co. KG

Bachmühle 2 · D-74673 Mulfingen

Phone +49 7938 81-0

Fax +49 7938 81-110

info1@de.ebmpapst.com

www.ebmpapst.com

Limited partnership · Headquarters Mulfingen

Amtsgericht (court of registration) Stuttgart · HRA 590344

General partner Elektrobau Mulfingen GmbH · Headquarters Mulfingen

Amtsgericht (court of registration) Stuttgart · HRB 590142

Nominal data

Type	D2E097-CB01-12		
Motor	M2E042-CA		
Phase		1~	1~
Nominal voltage	VAC	230	230
Frequency	Hz	50	60
Method of obtaining data		fa	fa
Valid for approval/standard		CE	CE
Speed (rpm)	min ⁻¹	1650	1650
Power consumption	W	42	42
Current draw	A	0.19	0.20
Capacitor	µF	1.5	1.5
Capacitor voltage	VDB	400	400
Capacitor standard		S2 (CE)	S2 (CE)
Min. back pressure	Pa	0	0
Min. back pressure	in. wg	0	0
Min. ambient temperature	°C	-25	-25
Max. ambient temperature	°C	50	55

ml = Max. load · me = Max. efficiency · fa = Free air · cs = Customer specification · ce = Customer equipment
Subject to change



AC centrifugal fan

forward-curved, dual-intake
with housing (flange)

Technical description

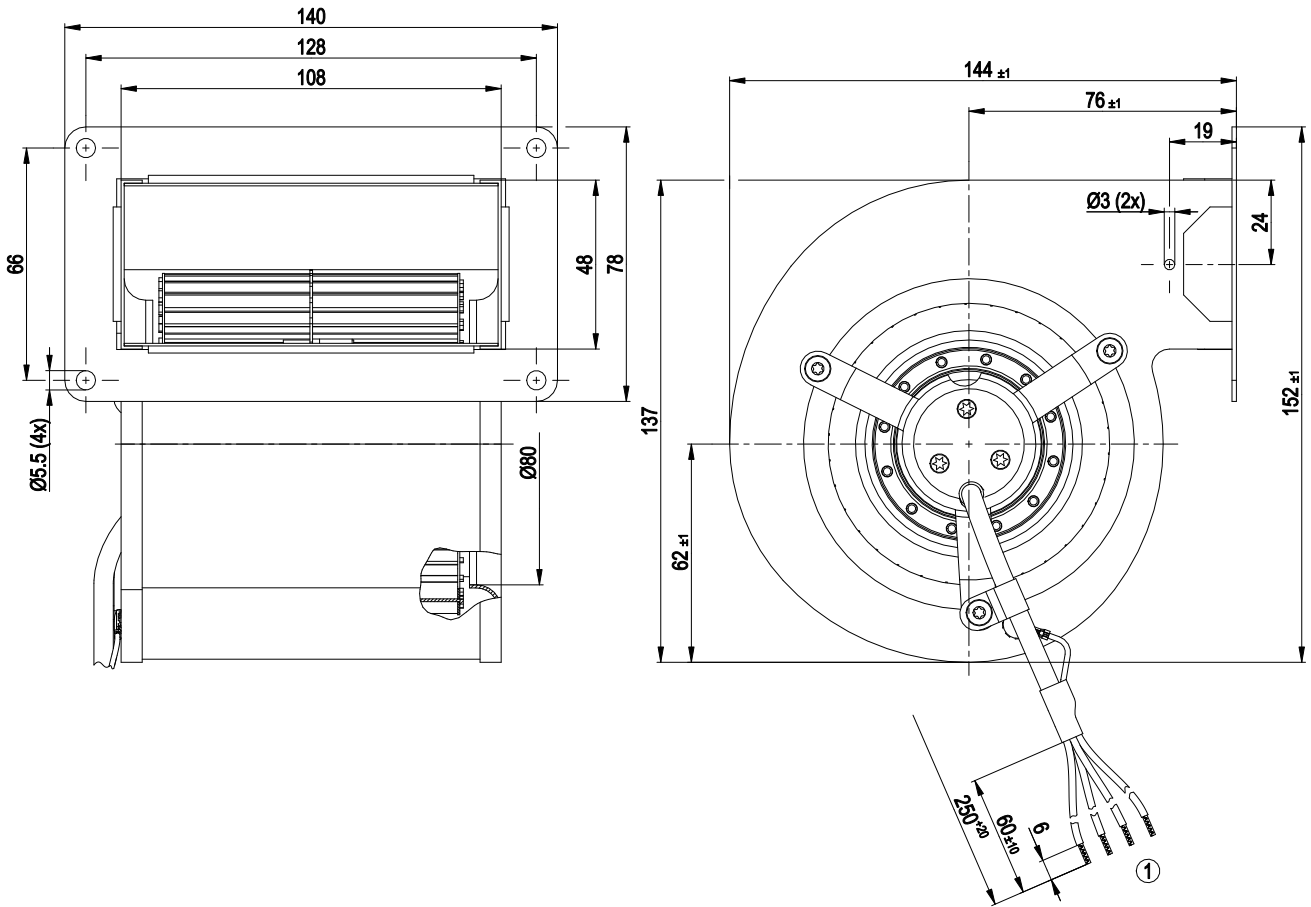
Weight	1.2 kg
Size	97 mm
Motor size	42
Rotor surface	Unpainted
Impeller material	Sheet steel, galvanized
Housing material	Sheet steel, galvanized
Motor suspension	Motor mounted with brackets on one side
Direction of rotation	Counterclockwise, viewed toward rotor
Degree of protection	IP44; installation- and position-dependent
Insulation class	"B"
Moisture (F) / Environmental (H) protection class	H0+
Max. permitted ambient temp. for motor (transport/storage)	+ 80 °C
Min. permitted ambient temp. for motor (transport/storage)	- 40 °C
Installation position	Any
Condensation drainage holes	None
Mode	S1
Motor bearing	Ball bearing
Touch current according to IEC 60990 (measuring circuit Fig. 4, TN system)	< 0.75 mA
Motor protection	Thermal overload protector (TOP) internally connected
Protection class	I (with customer connection of protective earth)
Conformity with standards	EN 60335-1; CE
Approval	CCC; EAC



AC centrifugal fan

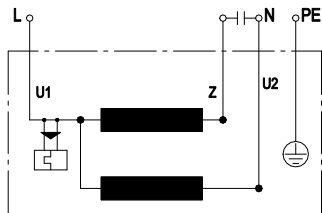
forward-curved, dual-intake
with housing (flange)

Product drawing



- | | |
|---|--|
| 1 | Cable PVC 3x 0.25 mm ² , 3x crimped splices |
| | Cable PVC AWG20, 1x crimped splice (green/yellow) |

Connection diagram



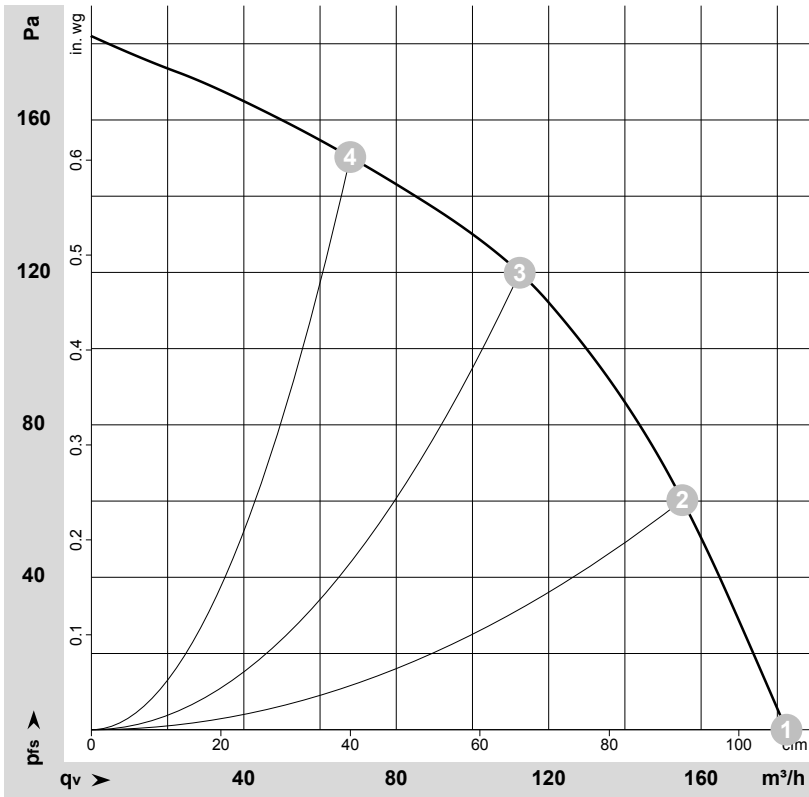
U1	blue	Z	brown	U2	black
PE	green/yellow				



AC centrifugal fan

forward-curved, dual-intake
with housing (flange)

Curves: Air performance 50 Hz



$\rho = 1.15 \text{ kg/m}^3 \pm 2 \%$

Measurement: LU-4570-1

Air performance measured according to ISO 5801 installation category A. For detailed information on the measurement setup, contact ebm-papst. Intake sound level: Sound power level according to ISO 13347 / sound pressure level measured at 1 m distance from fan axis. The values given are valid under the specified measuring conditions and may vary due to conditions of installation. For deviations from the standard configuration, the parameters have to be checked on the installed unit.

Measured values

	Wired	U	f	n	P_e	I	q_v	p_{fs}	q_v	p_{fs}
		V	Hz	min^{-1}	W	A	m^3/h	Pa	cfm	in. wg
1	1~	230	50	1650	42	0.19	180	0	105	0.00
2	1~	230	50	1870	37	0.17	155	60	90	0.24
3	1~	230	50	2200	35	0.15	110	120	65	0.48
4	1~	230	50	2420	34	0.15	70	150	40	0.60

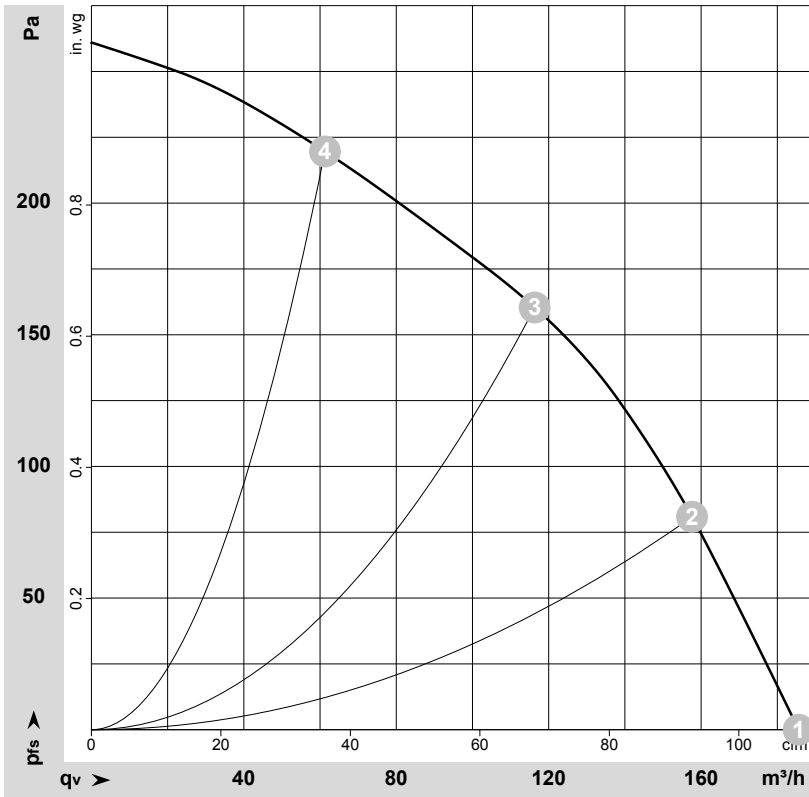
Wired = Wiring · U = Voltage · f = Frequency · n = Speed (rpm) · P_e = Power consumption · I = Current draw · q_v = Air flow · p_{fs} = Pressure increase



AC centrifugal fan

forward-curved, dual-intake
with housing (flange)

Curves: Air performance 60 Hz



$\rho = 1.15 \text{ kg/m}^3 \pm 2 \%$

Measurement: LU-4574-1

Air performance measured according to ISO 5801 installation category A. For detailed information on the measurement setup, contact ebm-papst. Intake sound level: Sound power level according to ISO 13347 / sound pressure level measured at 1 m distance from fan axis. The values given are valid under the specified measuring conditions and may vary due to conditions of installation. For deviations from the standard configuration, the parameters have to be checked on the installed unit.

Measured values

	Wired	U	f	n	P_e	I	q_v	P_{fs}	q_v	P_{fs}
		V	Hz	min^{-1}	W	A	m^3/h	Pa	cfm	in. wg
1	1~	230	60	1650	42	0.20	185	0	110	0.00
2	1~	230	60	2055	40	0.19	160	80	95	0.32
3	1~	230	60	2550	37	0.17	115	160	70	0.64
4	1~	230	60	2940	34	0.16	60	220	35	0.88

Wired = Wiring · U = Voltage · f = Frequency · n = Speed (rpm) · P_e = Power consumption · I = Current draw · q_v = Air flow · P_{fs} = Pressure increase

