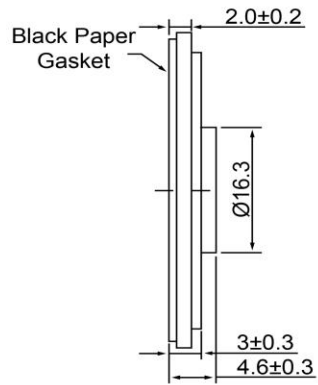
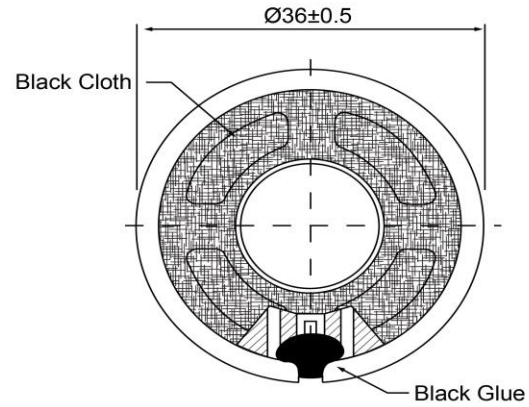




SIDE VIEW



BOTTOM VIEW



Specifications			Notes	Revision History							
Description	Value	Unit		Version	Description		Date	Approved			
Shape	Round		1) All dimensions are in mm unless otherwise noted 2) All parts meet RoHS	1	Released from Engineering		2/8/2014	J.S.			
Resonant Frequency	550	(Hz)									
Frequency Range	550 ~ 11,000	(Hz)									
SPL @ 10cm	105	(dBA)									
Impedance	8	(Ohm)									
Cone Material	Mylar										
Nominal Power	1.0	(W)									
Max Power	1.2	(W)									
Mount Type	Flush Mount										
Operating Temperature	-30 ~ +60	°C									
Storage Temperature	-30 ~ +60	°C									
Weight	8.25	(g)									
						Dynamic Speaker		SM360508-2			
						Drawn by	Date	Checked by	Date	Approved by	Date
						G.W.	1/27/2014	C.E.	2/4/2014	J.S.	2/8/2014

Additional considerations can be found at www.dbunlimitedco.com/technical-articles.