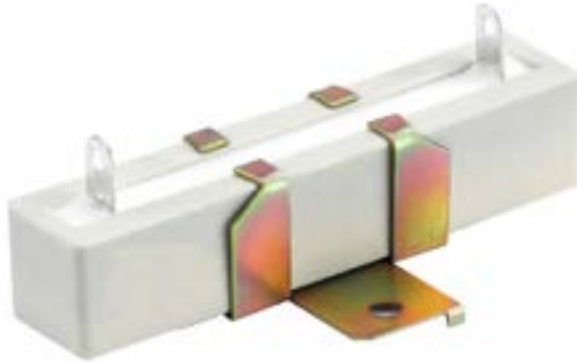


# UWP Series

High Power Ceramic Wirewound Resistors



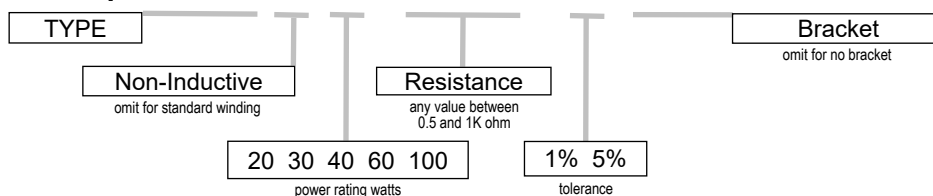
- Resistances from 0.5Ω to 1KΩ
- Tolerance 1% or 5%
- Power Ratings of 20, 30, 40, 60 or 100 Watts
- All-Welded Construction
- Non-Inductive Windings are Available
- Flameproof Inorganic Construction

## SPECIFICATIONS

Available Power Ratings	20w, 30w, 40w, 60w, 100w
Resistance Range	Any value between 0.5Ω and 1KΩ
Tolerances	±1%, ±5% ( 5% Standard )
Temperature Coefficient	±260ppm/°C maximum
Temperature Range	-55°C to +275°C
Ambient Temperature Range	-40°C to +155°C
Maximum working voltage	SQRT(P*R)
Construction	High Performance fiberglass core (UWP-20, UWP-30, and UWP-40) Centerless ground ceramic core (UWP-60 and UWP-100) Ceramic Housing High temperature / inorganic potting compound (non-combustable) Matte Tin over Copper Terminations All Welded Construction
<b>Environmental Performance</b>	<b>Δ R</b>
Dielectric	±(2% + 0.05Ω), AC500V 60sec.
Load Life	±(5% + 0.05Ω), for 1000hours.
Moisture Resistance	±(5% + 0.05Ω), 40°C, 90~95% RH
Thermal Shock	±(2% + 0.05Ω), -40°C, +20°C, +125°C
5X Overload ( 5s )	±(2% + 0.05Ω), Rated Power × 5 for 5 seconds
Insulation Resistance	±(2% + 0.05Ω), 500MΩ 500VDC
Resistance to Soldering Heat	±(2% + 0.05Ω), 230°C for 5 sec

## Ordering Information

**Example: UWPN-60 125 OHM 1% BKT**

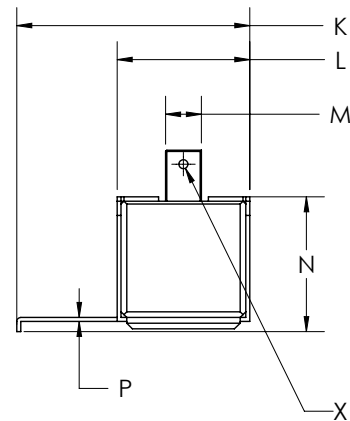
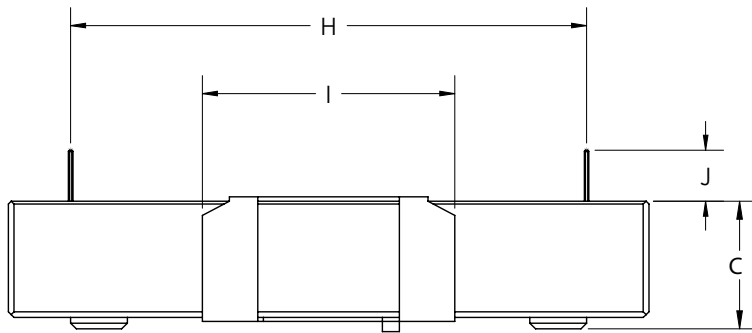
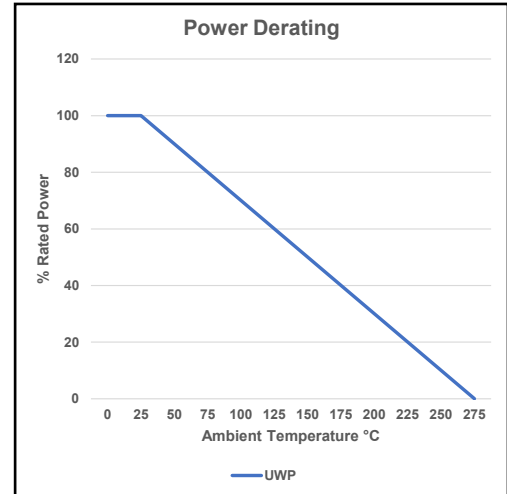
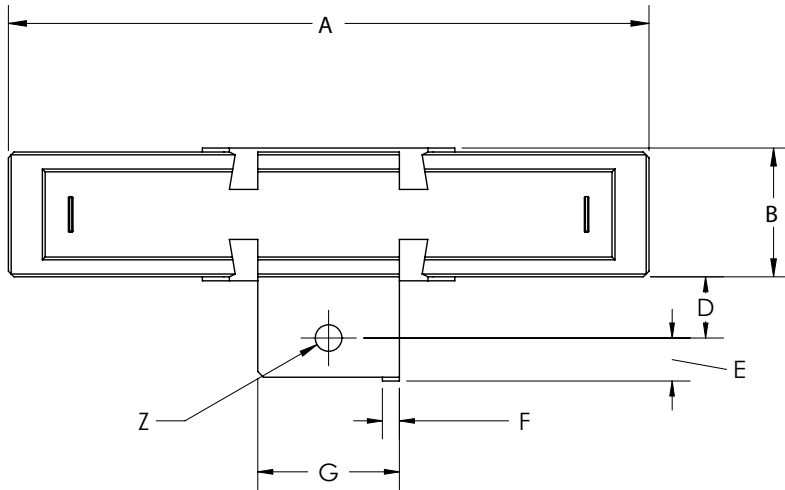


# UWP Series

High Power Ceramic Wirewound Resistors



## Dimensions



Dimensions inches / mm																	
Type	A	B	C	D	E	F	G	H	I	J	K	L	M	N	P	X	Z
<b>UWP-20</b>	2.36 60	0.73 18.5	0.83 21	0.44 11.1	0.27 6.9	0.12 3	0.71 18	1.58 40.2	1.5 38	0.35 9	1.47 37.4	0.80 20.4	0.25 6.3	0.88 22.4	0.03 0.7	0.06 1.6	0.19 4.7
<b>UWP-30</b>	2.91 74	0.75 19	0.79 20	0.44 11.1	0.27 6.9	0.12 3	0.71 18	2.05 52	1.5 38	0.39 10	1.47 37.4	0.75 19	0.25 6.3	0.81 20.7	0.03 0.7	0.06 1.6	0.19 4.7
<b>UWP-40</b>	3.54 90	0.71 18	0.79 20	0.44 11.3	0.27 6.9	0.12 3	0.71 18	2.74 69.5	1.5 38	0.35 9	1.47 37.4	.80 20.4	0.25 6.3	0.81 20.7	0.03 0.7	0.06 1.5	0.19 4.7
<b>UWP-60</b>	3.54 90	0.71 18	0.79 20	0.44 11.3	0.27 6.9	0.12 3	0.71 18	2.74 69.5	1.5 38	0.35 9	1.47 37.4	.80 20.4	0.25 6.3	0.81 20.7	0.03 0.7	0.06 1.5	0.19 4.7
<b>UWP-100</b>	4.45 113	0.89 22.7	0.89 22.7	0.43 10.8	0.30 7.6	0.12 3	0.98 25	3.58 91	1.75 44.5	0.35 9	1.62 41.1	0.92 23.4	0.25 6.3	0.93 23.8	0.03 0.7	0.06 1.6	0.19 4.7