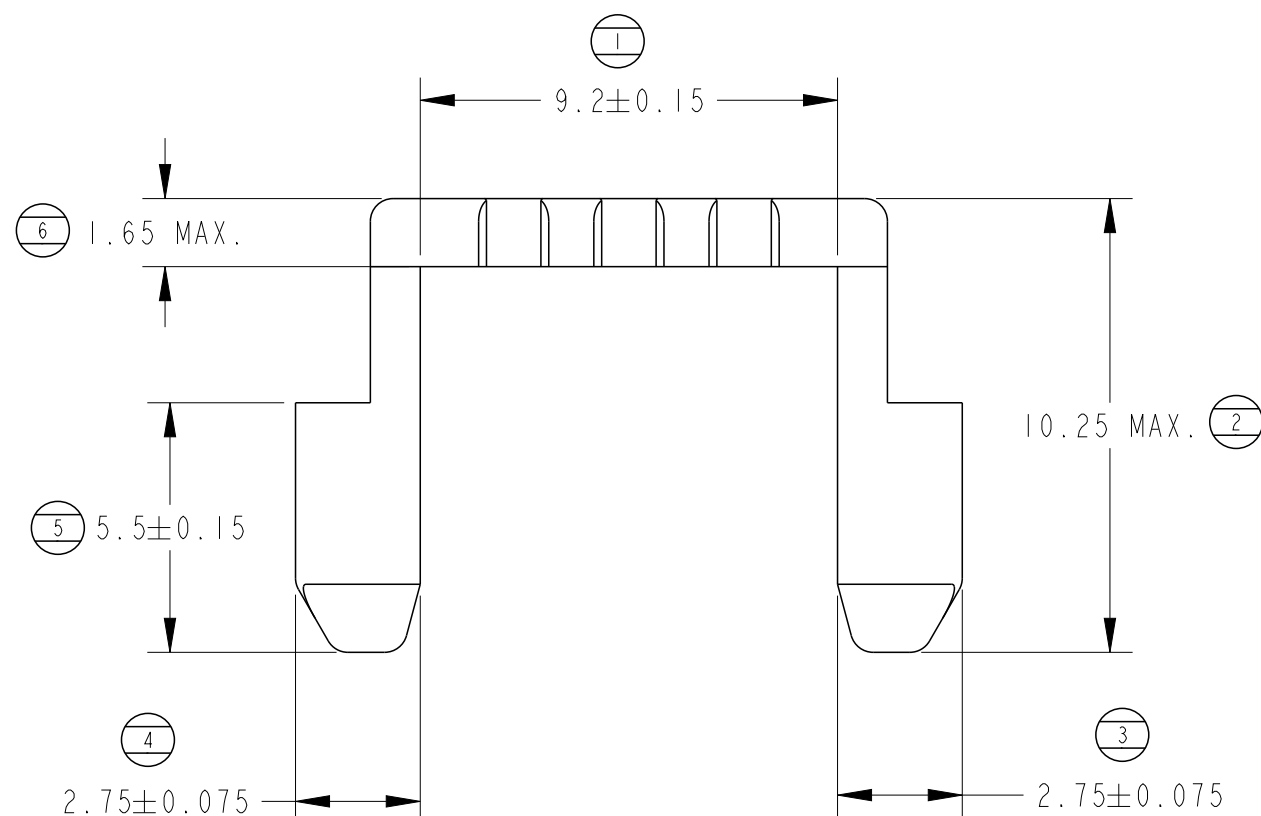
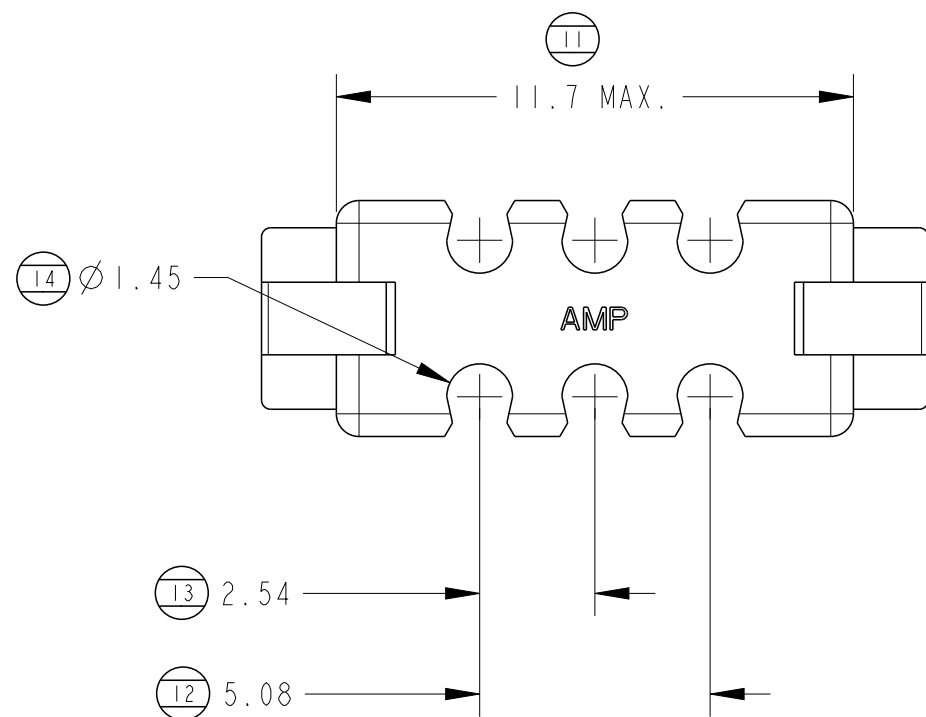
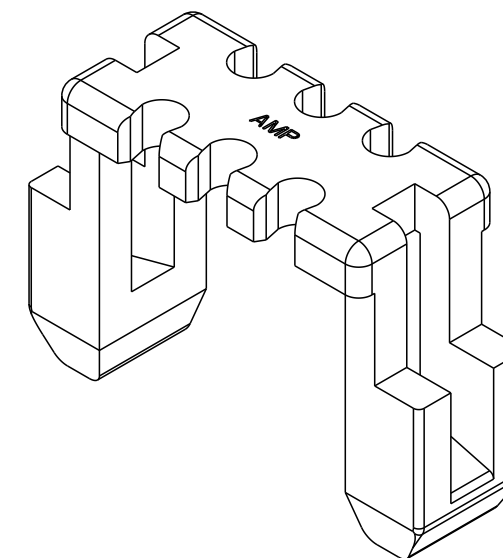
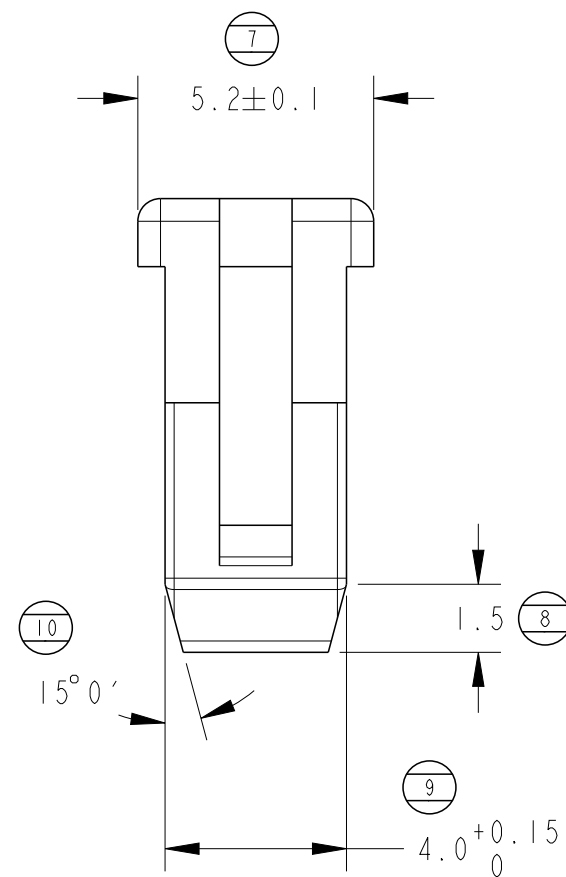


P	LTR	DESCRIPTION	DATE	DWN	APVD
	C1	DRAWING REDRAWN	16 JUN 2022	MP	JK
	D	MATERIAL CHANGE	14 FEB 2023	AJK	SPS



SCALE 6:1



144684-1 AS SHOWN

USED ON HOUSING P/N: 144095-1

THIS DRAWING IS A CONTROLLED DOCUMENT.		DWN B. RAMELET 13APR1992	TE Connectivity NAME 2x3 POS MODU IV COVER				
DIMENSIONS: mm		CHK PETRONIN 13APR1992					
		APVD PETRONIN 13APR1992					
TOLERANCES UNLESS OTHERWISE SPECIFIED: ±0.3		PRODUCT SPEC					
0 PLC ±- 1 PLC ±- 2 PLC ±- 3 PLC ±- 4 PLC ±- ANGLES ±5°		APPLICATION SPEC	SIZE A3	CAGE CODE 00779	DRAWING NO C-144684	RESTRICTED TO	
MATERIAL POLYAMIDE 6/6 BLACK		FINISH -	WEIGHT -	SCALE 5:1		SHEET 1 OF 1	REV D
CUSTOMER DRAWING							