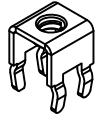
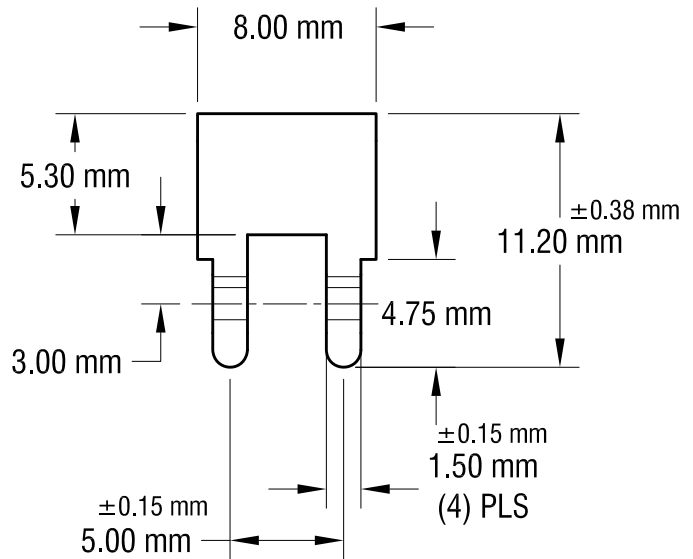
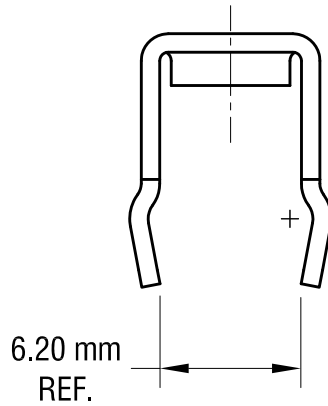
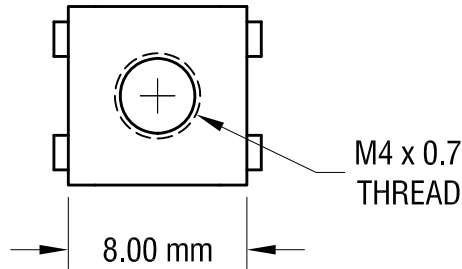
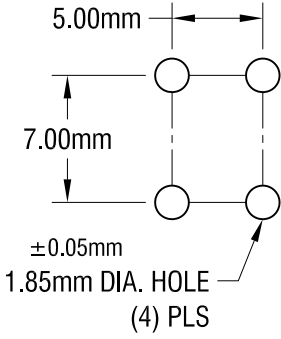


THIS DOCUMENT IS THE PROPERTY OF KEYSTONE ELECTRONICS CORP. AND SHALL NOT BE REPRODUCED, DISTRIBUTED OR USED AS A BASIS FOR MANUFACTURE WITHOUT PRIOR WRITTEN PERMISSION FROM KEYSTONE ELECTRONICS CORP.

**ACTUAL SIZE**



**MOUNTING DETAIL**



**NOTE:**  
ALL DIMENSIONS ARE IN MILLIMETERS.

4.12.18	CHANGE AS PER ECN 18-019	D
1.13.16	CHANGE AS PER ECN 16-001	C
1.25.10	CHANGE AS PER ECN 10-006	B
10.02.08	CHANGE AS PER ECN 08-167	A
DATE	DESCRIPTION	REV.

<b>KEYSTONE ELECTRONICS CORP.</b>			
www.keyelco.com • NEW HYDE PARK, NY 11040 • Tel (516) 328-7500			
PART NAME		PC METRIC SCREW TERMINAL	
MATERIAL		0.8 mm TH'K BRASS	
FINISH		DRN BY	DATE
MATTE TIN PLATE		NT	7.01.08
		APP'D	SCALE
TOLERANCES INCH [MM]		LN	3X
		DECIMAL	
ANGULAR ± 1°		CODE	DWG NO.
UNLESS OTHERWISE SPECIFIED		C	7795