

APPROVED: \_\_\_\_\_  
 DATE: \_\_\_\_\_ TITLE: \_\_\_\_\_

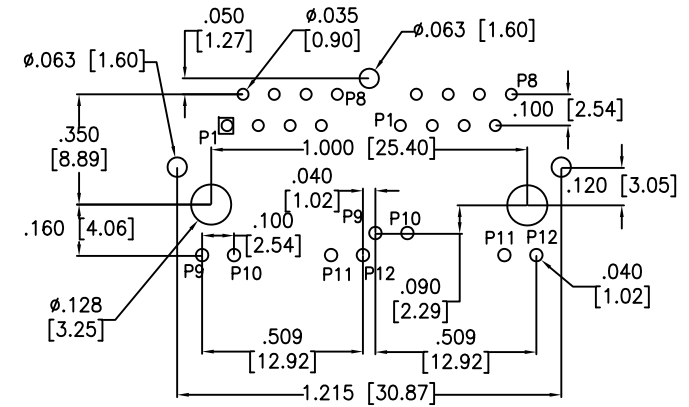
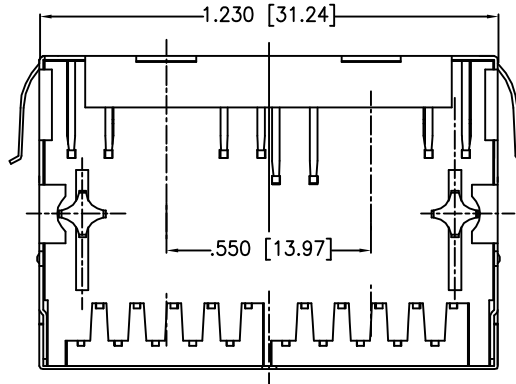
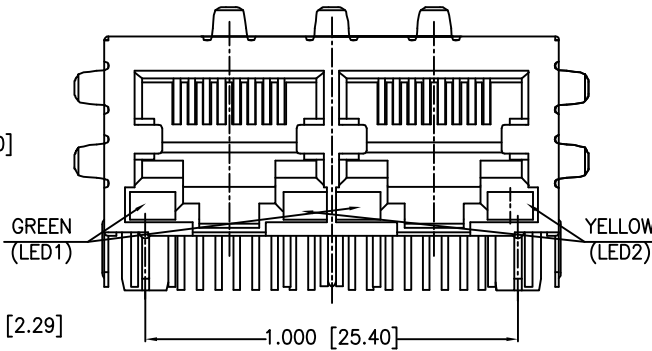
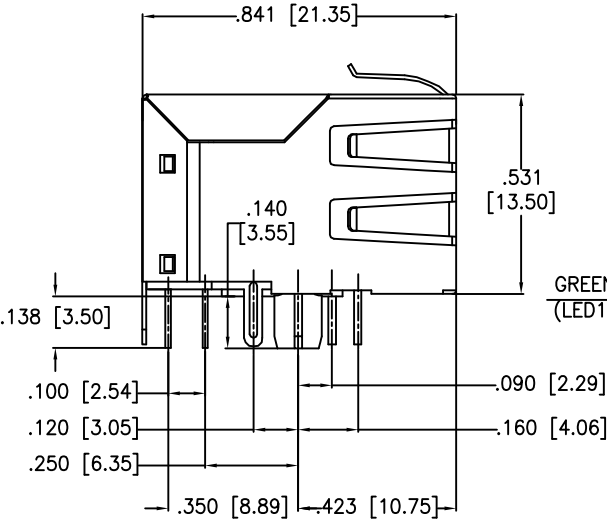
Rev	AWO #	Description	Date	Appr
-		RELEASED	3/4/10	
A		CORRECTED PCB LAYOUT	4/12/10	AY/LW
B		UPDATED DRAWING	7/29/16	AY/MY

D

C

B

A



RECOMMENDED PCB LAYOUT

**SPECIFICATIONS:**  
 Material:  
 Housing: PA66, rated UL 94V-0, Color: Black  
 Insert: PBT, rated UL 94V-0, Color: Black  
 Contacts: Copper Alloy  
 Shield: Copper Alloy, Nickel plated  
 Plating:  
 Round contact  
 Gold over Nickel underplate overall  
 Flat contact  
 Gold over Nickel underplate on contact area,  
 Tin over Nickel underplate on solder tails  
 (See chart for thickness)  
 Electrical:  
 Voltage rating: 150 VAC  
 Contact Resistance: 20 mohms max  
 Insulation resistance: 500 Mohms min  
 Dielectric withstanding voltage: 1500 VAC or 2250VDC for 1 minute  
 Temperature Rating:  
 Operating temperature: 0°C to +70°C  
 Environmental:  
 Lead free, RoHS compliant.

X	PLATING
0	15 µin Gold
1	30 µin Gold
2	50 µin Gold
6	6 µin Gold



UNLESS OTHERWISE SPECIFIED  
 ALL DIMENSIONS ARE INCHES [MM]  
 TOLERANCES: EXCEPT AS NOTED  
 INCHES HOLES

.X ± .10	∅X ± .10
.XX ± .020	∅XX ± .015
.XXX ± .015	∅XXX ± .010

APPROVALS		DATE
DRAWN	SS	3/4/10
CHECKED		
APPROVED		

# ADAM TECH

909 Rahway Avenue, Union, NJ 07083  
 Phone: 908-687-5000 Fax: 908-687-5710

TITLE MODULAR JACK GANGED, 2 PORT, 8P8C W/ LED1 GREEN, LED2 YELLOW		
SIZE X	PART NO. MTJG-2-88TX1-FSD-PG-LH-M4	REV. B
REF: S00005C	SCALE: NTS	SHEET 1 OF 2

6

5

4

3

2

1

D

C

B

A

6

5

4

3

2

1

APPROVED: \_\_\_\_\_

DATE: \_\_\_\_\_ TITLE: \_\_\_\_\_

Rev AWO # Description Date Appr

SEE SHT 1 OF 2 FOR REVISION

CAP 1000pF 2KV

75ohm

75ohm

1CT:1CT

75ohm

75ohm

J8

J7

J5

J4

P8

J6

P6

P5

P3

J3

P2

1CT:1CT

P4

P1

J2

P9

P10

P11

P12

J1

G

Y

ELECTRICAL SPECIFICATIONS

- Turns Ratio: (P1 ~ P2) : (J1 ~ J2) 1:1  $\pm$ 3%  
(P3 ~ P6) : (J3 ~ J6) 1:1  $\pm$ 3%
- Inductance: (P1 ~ P2) 350uH min. @ 0.1V, 100KHZ, 8mA DC Bias  
(P3 ~ P6) 350uH min. @ 0.1V, 100KHZ, 8mA DC Bias
- Leakage Inductance: P1 ~ P2 (with J1 and J2 Short): 0.35uH Max. @ 1 MHz  
P3 ~ P6 (with J3 and J6 Short): 0.35uH Max. @ 1 MHz
- Interwinding Capacitor: (P1 ~ P2) : (J1 ~ J2): 35pF max. @ 1MHZ  
(P3 ~ P6) : (J3 ~ J6): 35pF max @ 1mhz
- DC Resistance: (J1 ~ J2) : (J3 ~ J6): 1.2 Ohms Max.
- Return Loss: 1MHZ to 30MHZ: -18dB MIN  
30MHZ to 60MHZ:  $-(18-20\text{LOG}(f/30))\text{dB}$  MIN (WHERE f IS IN MHZ)  
60MHZ to 80MHZ: -12dB MIN
- Dielectric Withstanding: (P1~P2) : (J1~J2): (P3~P4) : (J3~J6) : 1500VAC or 2250VDC
- Insertion Loss: 1MHZ TO 100MHZ : -1.2dB MAX
- Cross Talk: 1MHZ to 100MHZ: -30dB MIN
- Common to Common mode attenuaton: 1MHZ TO 100MHZ: -30dBMIN

UNLESS OTHERWISE SPECIFIED  
ALL DIMENSIONS ARE INCHES [MM]  
TOLERANCES: EXCEPT AS NOTED  
INCHES HOLES

.X	$\pm$ .10	$\varnothing$ .X	$\pm$ .10
.XX	$\pm$ .020	$\varnothing$ .XX	$\pm$ .015
.XXX	$\pm$ .015	$\varnothing$ .XXX	$\pm$ .010

**ADAM TECH**909 Rahway Avenue, Union, NJ 07083  
Phone: 908-687-5000 Fax: 908-687-5710TITLE  
MODULAR JACK GANGED, 2 PORT, 8P8C  
W/ LED1 GREEN, LED2 YELLOW

APPROVALS		DATE
DRAWN	SS	3/4/10
CHECKED		
APPROVED		

SIZE	PART NO.	REV.
X	MTJG-2-88TX1-FSD-PG-LH-M4	B
REF:	S00005C	SCALE: NTS
		SHEET 1 OF 2

6

5

4

3

2

1