

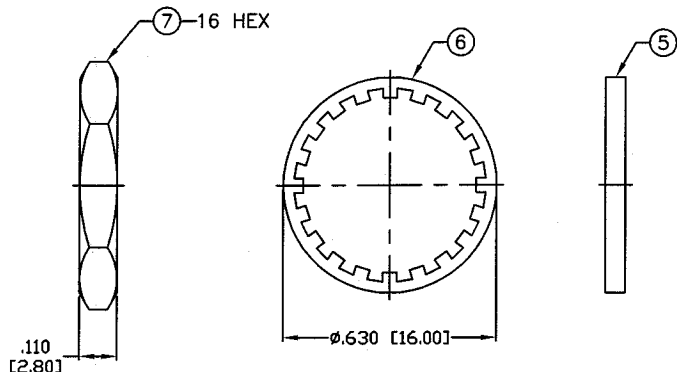
THIS DRAWING CONTAINS INFORMATION PROPRIETARY TO RF INDUSTRIES,
 ANY UNAUTHORIZED USE OF THIS DRAWING IS EXPRESSLY PROHIBITED
 WITHOUT WRITTEN PERMISSION FROM RF INDUSTRIES.
 ANY VIOLATION IS PUNISHABLE UNDER U.S. COPYRIGHT LAWS.

ALL DIMENSIONS ARE REFERENCE ONLY

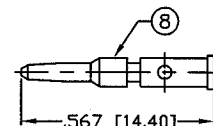
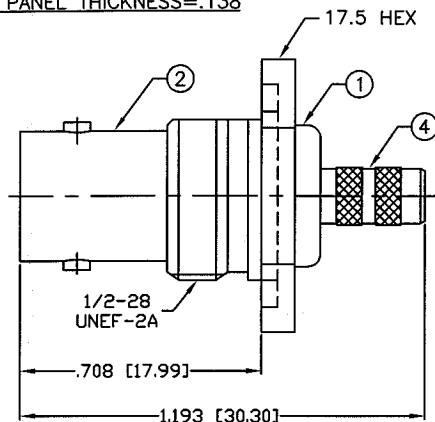
PART NO.

RP-1117-C

| REV | DESCRIPTION | DWN | DATE | APPROVED |
|-----|---------------------|-----|---------|----------|
| - | ENGINEERING RELEASE | CZS | 7/19/01 | JDMc |
| | | | | |
| | | | | |



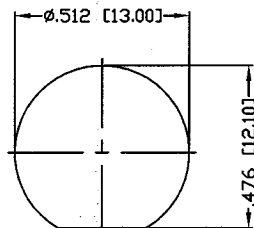
MAX. PANEL THICKNESS=.138



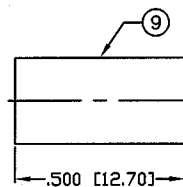
RECOMMENDED CRIMP DIE .068

SPECIFICATIONS:

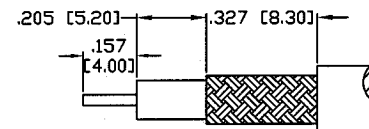
IMPEDANCE: 50 Ohms
 FREQUENCY RANGE: 0-4 GHz
 VSWR: 1.3 Max.
 WORKING VOLTAGE: 500 V rms @ sea level
 TEMPERATURE RANGE: -65°C TO 165°C
 INSULATION RESISTANCE: 5k M Ohms min.
 FOR RG-58, 58A, 58C, 141, 141A, BELDEN 8240,
 8259, 8262, 9201, 9203, 9310, 9311 & COMM/SCOPE 0268



RECOMMENDED MOUNTING HOLE



RECOMMENDED CRIMP DIE .213



RECOMMENDED STRIPPING DIM'S

| | | | | |
|---|--------------|---|--------|---------------|
| 1 | BODY | 1 | BRASS | NICKEL, 100μ" |
| 2 | BNC BODY | 1 | BRASS | NICKEL, 100μ" |
| 3 | INSULATOR | 1 | PTFE | --- |
| 4 | FERRULE STUD | 1 | BRASS | NICKEL, 100μ" |
| 5 | GASKET | 1 | RUBBER | --- |
| 6 | LOCK WASHER | 1 | BRASS | NICKEL, 100μ" |
| 7 | HEX NUT | 1 | BRASS | NICKEL, 100μ" |
| 8 | PIN | 1 | BRASS | GOLD, 3μ" |
| 9 | FERRULE | 1 | BRASS | NICKEL, 100μ" |

008974

UNLESS OTHERWISE SPECIFIED:

1. REMOVE ALL BURRS
2. BREAK ALL CORNERS & EDGES .005 R. MAX.
3. CHAMFER 1ST & LAST THREADS 45°
4. SURFACE ROUGHNESS 63 FINISH MIL-STD-10
5. DIAMETERS ON COMMON CENTERS TO BE CONCENTRIC WITHIN .002 T.I.R.
6. ALL DIMENSIONS ARE AFTER PLATING.

DIMENSIONS ARE IN INCHES AND [MILLIMETERS]

UNLESS OTHERWISE NOTED TOLERANCES ARE:

| DECIMALS | DIAMETER |
|-----------------|-----------------|
| .xxx±.003 [.08] | .xxx±.001 [.03] |
| .xx±.005 [.13] | .xx±.003 [.08] |

RF connectors
 DIVISION OF RF INDUSTRIES, LTD.

7610 MIRAMAR RD
 SAN DIEGO, CA 92126
 (858) 549-6340
 (858) 549-6345 FAX

BNC JACK, CRIMP

REVERSE POLARITY, BULKHEAD

| SIZE | CABLE GROUP | DWG NO. | REV |
|------------|-------------|------------------|--------------|
| A | C | RP-1117-C | - |
| SCALE: NTS | | CAD FILE OUTLINE | SHEET 1 OF 1 |

| # | DESCRIPTION | QTY | MATERIAL | FINISH | APPROVALS | DATE |
|----|-------------|-----|----------|--------|-----------|------|
| 10 | | | | | | |
| 11 | | | | | | |
| 12 | | | | | | |
| 13 | | | | | | |
| 14 | | | | | | |

| | | |
|-----------|-----------|---------|
| DRAWN | C. ZUNIGA | 7/20/01 |
| CHECKED | JOMe | 7-20-01 |
| ORJ DRAWN | C. ZUNIGA | 7/20/01 |