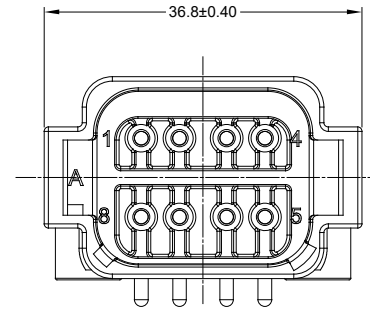
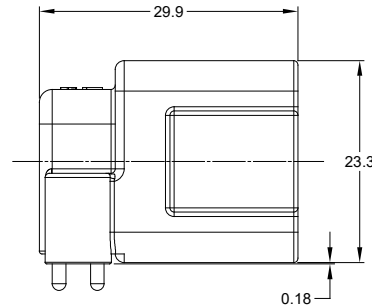
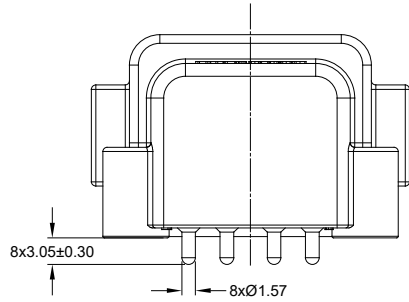
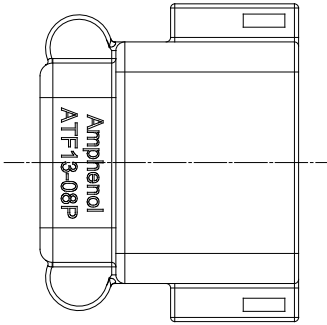
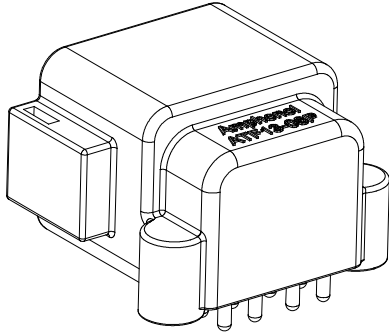


REVISIONS					
REV	ECO	DESCRIPTION	DATE	BY	APPR
A1	-	RELEASE	2JUL2018	JAH	
A2	-	UPDATE DRAWING	18/MAR/19	BROOK	TOMMY
A3	-	MODIFIED DESCRIPTION	12JUL19	BROOK	TOMMY



NOTES: UNLESS OTHERWISE SPECIFIED

1. SEE SHEET 2 FOR KEY ARRANGEMENTS AND COLORS.

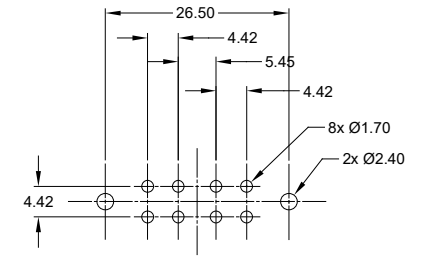
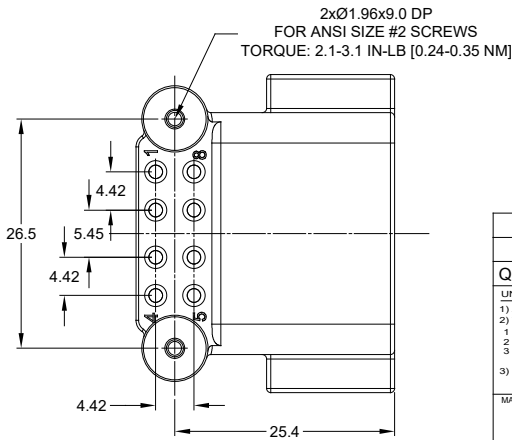
2. MATERIAL:  
 HOUSING: THERMOPLASTIC; COLOR: SEE SHEET 2  
 CONTACT: COPPER ALLOY  
 PLATING: NICKEL UNDERPLATE  
 SEE CHART FOR OVERALL FINISH

3. MODIFICATIONS: RIGHT ANGLE PCB MOUNT, SCREW BOSS

4. SPECIFICATIONS:  
 4.1 CURRENT RATING: 13 AMPS  
 4.2 OPERATING TEMPERATURE: -55°C TO +125°C  
 4.3 DIELECTRIC WITHSTANDING VOLTAGE: LESS THAN 2 MILLIAMPS CURRENT LEAKAGE @ 1500 VOLTS AC.  
 4.4 INSULATION RESISTANCE: 1000 MEGOHMS MIN @ 25°C.  
 4.5 MOISTURE RESISTANCE: IP67 ( MATED CONDITION )  
 4.6 MATING CYCLE DURABILITY: 100 CYCLES  
 4.7 RoHS COMPLIANT

5. MATING PART: AT06-08SX\* PLUG  
 ( X = A,B,C,D KEYS; \* = MODIFICATIONS AND COLORS )

6. ALL DIMENSIONS ARE FOR REFERENCE USE ONLY.



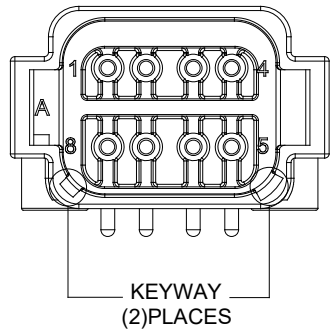
RECOMMENDED PCB LAYOUT

SEE PART NUMBER CHART		DESCRIPTION		ITEM
PART NUMBER		DESCRIPTION		ITEM
QUANTITY	MATERIALS LIST			
UNLESS OTHERWISE SPECIFIED		SIGNATURES		DATE
1) All dimensions are in metric (mm).		DRAWN: BROOKDING	12/JUL/19	
2) Tolerances are as follows:		CHECKED: ORIONLI	12/JUL/19	
1 PL DEC ±0.30   Fractions ±1/64		ENGINEER:		
2 PL DEC ±0.15   Angles ±1°		APPROVAL: TOMMY.XIE	12/JUL/19	
3) Note reference =		CUSTOMER:		
MATERIAL SPECIFICATIONS:		THIS DRAWING IS SUPPLIED FOR INFORMATION ONLY. DESIGN FEATURES, SPECIFICATIONS AND PERFORMANCE DATA SHOWN HEREON ARE THE PROPERTY OF THE AMPHENOL CORPORATION. NO RIGHTS OF REPRODUCTION ARE IMPLIED. ALL DIMENSIONS ARE SUBJECT TO NORMAL MANUFACTURING VARIATIONS.		
PROCESS SPECIFICATIONS:		SIZE	TYPE	DWG NO.
NEXT ASSY:		B	C-	ATF13-8PX-BM1X
		SCALE	NONE	REVISION
				A3
				SHEET 1 OF 2

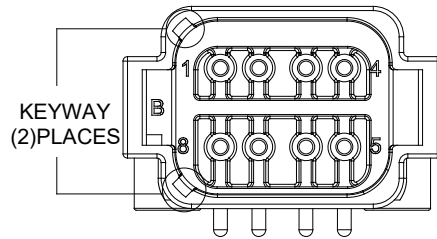
TITLE: RIGHT ANGLE RECEPT. AT 8 PIN, SCREW BOSS, BOARDLOCK  
 DWG NO.: ATF13-8PX-BM1X  
 REV: A3  
 SH: 1  
 OF: 2

REVISIONS					
REV	ECO	DESCRIPTION	DATE	BY	APPR
A1	-	RELEASE	2JUL2018	JAH	
A2	-	UPDATE DRAWING	18/MAR/19	BROOK	TOMMY
A3	-	MODIFIED DESCRIPTION	12JUL19	BROOK	TOMMY

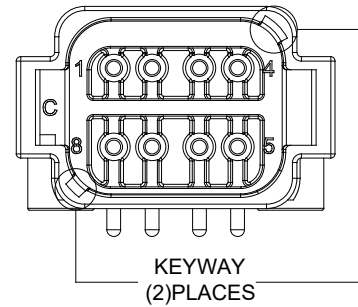
P/N ATF13-08PA-BM1X  
KEY-A CONFIGURATION  
COLOR: GREY



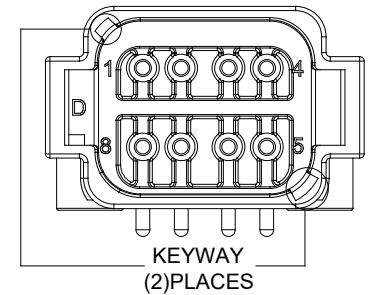
P/N ATF13-08PB-BM1X  
KEY-B CONFIGURATION  
COLOR: BLACK



P/N ATF13-08PC-BM1X  
KEY-C CONFIGURATION  
COLOR: GREEN



P/N ATF13-08PD-BM1X  
KEY-D CONFIGURATION  
COLOR: BROWN



ATF13-08PA-BM1X VARIANTS	
CONTACT PLATING	PART NUMBER
GOLD	ATF13-08PA-BM11
TIN	ATF13-08PA-BM13

ATF13-08PB-BM1X VARIANTS	
CONTACT PLATING	PART NUMBER
GOLD	ATF13-08PB-BM11
TIN	ATF13-08PB-BM13

ATF13-08PC-BM1X VARIANTS	
CONTACT PLATING	PART NUMBER
GOLD	ATF13-08PC-BM11
TIN	ATF13-08PC-BM13

ATF13-08PD-BM1X VARIANTS	
CONTACT PLATING	PART NUMBER
GOLD	ATF13-08PD-BM11
TIN	ATF13-08PD-BM13

SEE PART NUMBER CHART		PART NUMBER		DESCRIPTION		ITEM
QUANTITY	MATERIALS LIST					
UNLESS OTHERWISE SPECIFIED: 1) All dimensions are in metric (mm). 2) Tolerances are as follows: 1 PL DEC ±0.30 Fractions ±1/64 2 PL DEC ±0.15 Angles ±1° 3 PL DEC ±0.08		SIGNATURES		DATE		
3) Note reference =		DRAWN: BROOK.DING	12/JUL/19	<p style="text-align: center;"><b>Amphenol</b></p> <p style="text-align: center;">Sine Systems - www.amphenol-sine.com 44724 Morley Drive Clinton Township, MI 48036</p> <p style="text-align: center;">RIGHT ANGLE RECEPTACLE, AT 8 PIN, SCREW BOSS, BOARDLOCK</p>		
MATERIAL SPECIFICATIONS:		CHECKED: ORION.LI	12/JUL/19			
PROCESS SPECIFICATIONS:		ENGINEER:				
NEXT ASSY:		APPROVAL: TOMMY.XIE	12/JUL/19			
		CUSTOMER:		SIZE: B C-	TYPE: C-	DWG NO: ATF13-8PX-BM1X
		THIS DRAWING IS SUPPLIED FOR INFORMATION ONLY. DESIGN FEATURES, SPECIFICATIONS AND PERFORMANCE DATA SHOWN HEREON ARE THE PROPERTY OF THE AMPHENOL CORPORATION. NO RIGHTS OF REPRODUCTION ARE IMPLIED. ALL DIMENSIONS ARE SUBJECT TO NORMAL MANUFACTURING VARIATIONS.		SCALE: NONE	REVISION: A3	
				SHEET 2	OF 2	

TITLE: RIGHT ANGLE RECEPT, AT 8 PIN, SCREW BOSS, BOARDLOCK  
DWG NO: ATF13-8PX-BM1X  
REV: A3  
SH: 2  
OF: 2