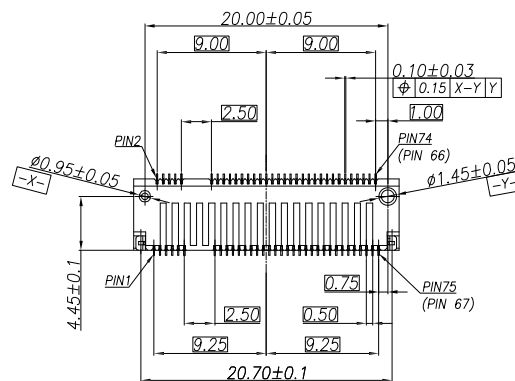
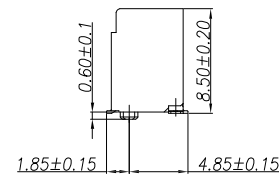
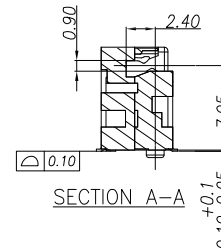
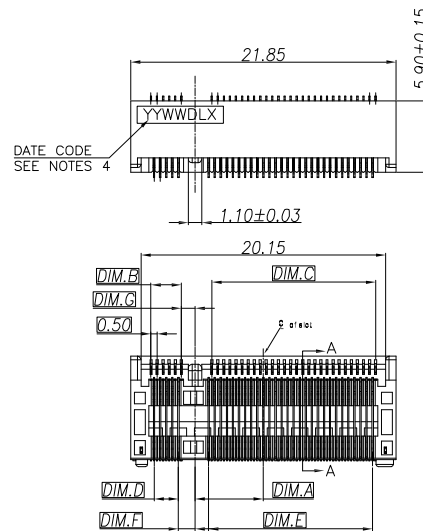
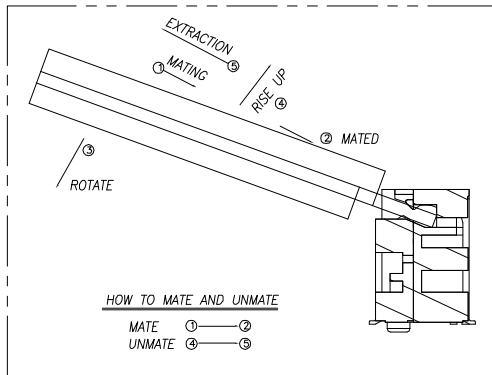


APPROVED: _____
 DATE: _____ TITLE: _____

Rev	AWO #	Description	Date	Appr
-		RELEASED	3/16/21	
A		ADDED PACKING	12/10/21	LH/RC



M2-A1-67-R-SMT-8.50-KM-T/R	-6.125	14.00	2.00	14.00	1.50	1.125	1.375
M2-A1-67-R-SMT-8.50-KE-T/R	2.625	5.50	10.50	5.00	10.50	1.375	1.125
M2-A1-67-R-SMT-8.50-KB-T/R	5.625	2.50	13.50	2.00	13.50	1.375	1.125
M2-A1-67-R-SMT-8.50-KA-T/R	6.625	1.50	14.50	1.00	14.50	1.125	1.375
ADAM-P/N	DIM A	DIM B	DIM C	DIM D	DIM E	DIM F	DIM G

B SPECIFICATIONS:
 Material:
 Insulator: (LCP) Hi-Temp Thermoplastic, rated UL 94V-0
 Insulator Color: Black
 Contacts: Phosphor Bronze
 Hold down: Brass, Nickel Plated
 Solder area: Tin plated

Plating:
 Gold flash over Nickel underplate overall

Electrical:
 Voltage rating: 50 VAC
 Current rating: 0.5A / (1Pin)
 Contact resistance: 55 mohms max
 Insulation resistance: 500 Mohms min
 Dielectric withstanding voltage: 300 VAC for 1 minute

A Mechanical:
 Durability: 60 cycles min
 Insertion force: 20N max
 Withdrawal force: 25N
 Temperature Rating:
 Operating temperature: -40°C to +85°C
 Environmental:
 Lead free, RoHS compliant



UNLESS OTHERWISE SPECIFIED ALL DIMENSIONS ARE MILLIMETERS TOLERANCES: EXCEPT AS NOTED		
MM	ANGLE	
.X ± 0.30	.X ± 3°	
.XX ± 0.20	.X ± 1°	
.XXX ± 0.10		
DRAWN	LH	3/16/21
CHECKED	JL	3/16/21
APPROVED		
THIS DRAWING CONTAINS INFORMATION THAT IS PROPRIETARY AND SHOULD NOT BE USED WITHOUT PRIOR WRITTEN PERMISSION FROM ADAM TECH		

ADAM TECH 909 Rahway Avenue,
 Union, NJ 07083
 Phone: 908-687-5000
 Fax: 908-687-5710

TITLE: M.2 CONNECTOR, 67PINS, SMT TYPE,
 8.50MM HEIGHT, A, B, E, M KEY

SIZE X	PART NO. M2-A1-67-R-SMT-8.50-KX-T/R	REV. A
REF: S00275T	SCALE: NTS	SHEET 1 OF 3

6 5 4 3 2 1

APPROVED: _____
 DATE: _____ TITLE: _____

Rev	AWO #	Description	Date	Appr
SEE SHT 1 OF 3 FOR REVISION				

M2-A1-67-R-SMT-8.50-KM-T/R	-6.125	14.00	2.00	14.00	1.50	1.125	1.375
M2-A1-67-R-SMT-8.50-KE-T/R	2.625	5.50	10.50	5.00	10.50	1.375	1.125
M2-A1-67-R-SMT-8.50-KB-T/R	5.625	2.50	13.50	2.00	13.50	1.375	1.125
M2-A1-67-R-SMT-8.50-KA-T/R	6.625	1.50	14.50	1.00	14.50	1.125	1.375
ADAM-P/N	DIM A	DIM B	DIM C	DIM D	DIM E	DIM F	DIM G

DETAIL B

RECOMMENDED PCB LAYOUT

TOP SIDE

BOTTOM SIDE

PLUG PCB

UNLESS OTHERWISE SPECIFIED ALL DIMENSIONS ARE MILLIMETERS TOLERANCES: EXCEPT AS NOTED MM ANGLE .X ± 0.30 X. ± 3° .XX ± 0.20 .X ± 1° .XXX ± 0.10			ADAM TECH 909 Rahway Avenue, Union, NJ 07083 Phone: 908-687-5000 Fax: 908-687-5710	
DRAWN	LH	3/16/21	TITLE	
CHECKED	JL	3/16/21	M.2 CONNECTOR, 67PINS, SMT TYPE, 8.50MM HEIGHT, A, B, E, M KEY	
APPROVED			SIZE	PART NO.
THIS DRAWING CONTAINS INFORMATION THAT IS PROPRIETARY AND SHOULD NOT BE USED WITHOUT PRIOR WRITTEN PERMISSION FROM ADAM TECH			X	M2-A1-67-R-SMT-8.50-KX-T/R
			REF: S00275T	SCALE: NTS
			SHEET 2 OF 3	

6 5 4 3 2 1

6 5 4 3 2 1

APPROVED: _____
 DATE: _____ TITLE: _____

Rev	AWO #	Description	Date	Appr
SEE SHT 1 OF 3 FOR REVISION				

D

C

B

A

- PACKING STYLE: 500 PCS/REEL
2,500 PCS/OUTER CARTON
- MATERIAL: CARRIER TAPE: PS BLACK
COVER TAPE: PET FILM
REEL: PLASTIC
- PEEL STRENGTH OF COVER TAPE: 10~130g
(PEEL SPEED 300mm/MINUTE)
- CARTON SIZE: 350x350x320mm
- G/W: 5.315 Kg , N/W: 4.037 Kg

UNLESS OTHERWISE SPECIFIED
 ALL DIMENSIONS ARE MILLIMETERS
 TOLERANCES: EXCEPT AS NOTED

MM	ANGLE
.X ± 0.30	.X ± 3°
.XX ± 0.20	.X ± 1°
.XXX ± 0.10	

DRAWN	LH	3/16/21
CHECKED	JL	3/16/21
APPROVED		

THIS DRAWING CONTAINS INFORMATION THAT IS PROPRIETARY AND SHOULD NOT BE USED WITHOUT PRIOR WRITTEN PERMISSION FROM ADAM TECH

ADAM TECH 909 Rahway Avenue,
 Union, NJ 07083
 Phone: 908-687-5000
 Fax: 908-687-5710

TITLE M.2 CONNECTOR, 67PINS, SMT TYPE, 8.50MM HEIGHT, A, B, E, M KEY		
SIZE X	PART NO. M2-A1-67-R-SMT-8.50-KX-T/R	REV. A
REF: S00275T	SCALE: NTS	SHEET 3 OF 3

6 5 4 3 2 1