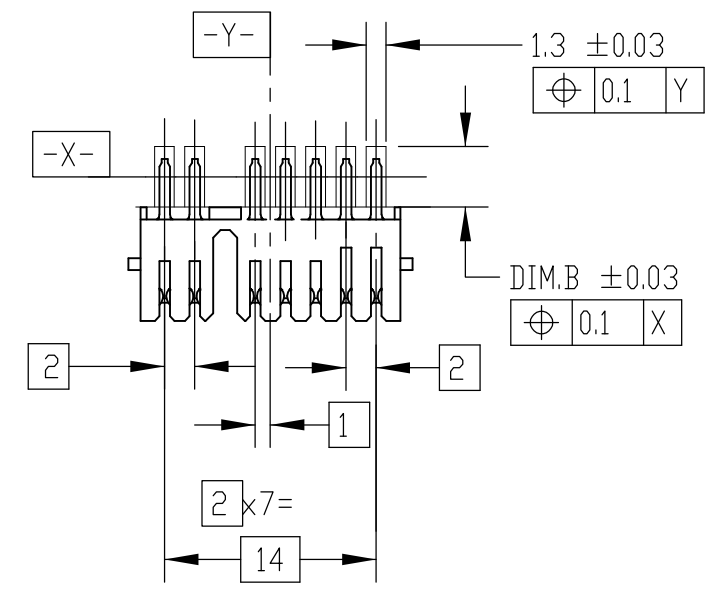
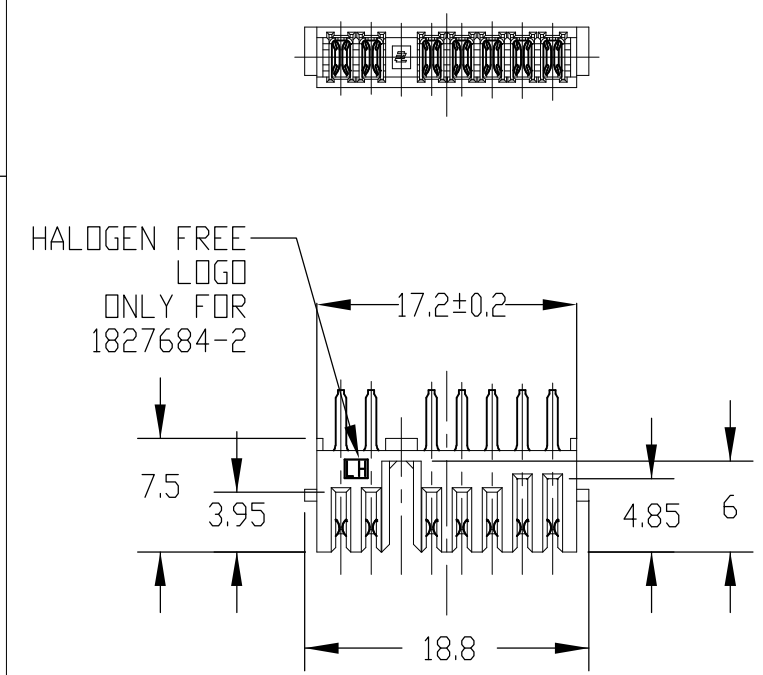


THIS DRAWING IS UNPUBLISHED. RELEASED FOR PUBLICATION 20
 © COPYRIGHT 20 - ALL RIGHTS RESERVED.

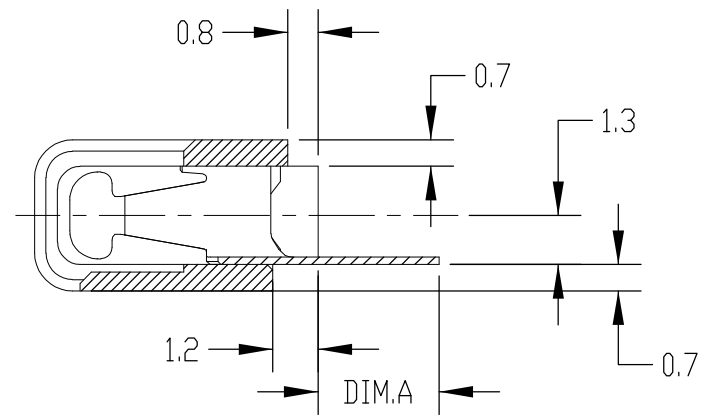
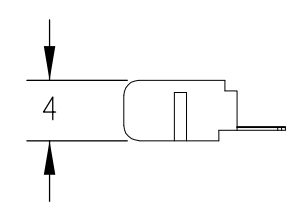
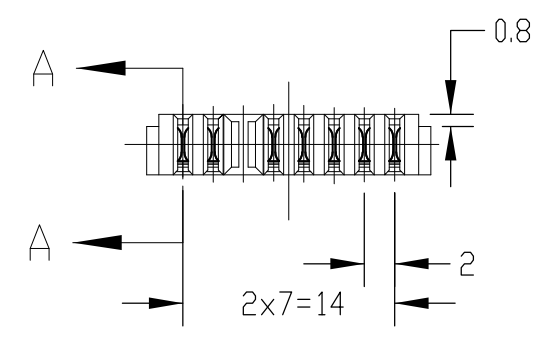
LOC	DIST	REVISIONS				
P	LTR	DESCRIPTION	DATE	DWN	APVD	
ES	-	C1	REVISED PER ECD-11-005033	16APR2011	RK	HMR
		D	REVISED	06JAN2012	Y.W	S.K
		D1	REVISED PER ECD-13-009541	07JUN2013	R.W	S.Y



REFERENCE P.C BOARD LAYOUT
 P.C.BOARD THK. 0.8~1.2
 (VIEW FROM CONNECTOR MOUNTING SIDE)

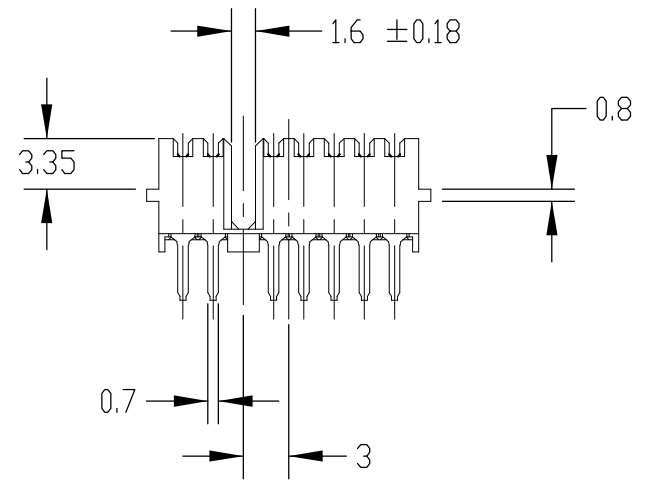
- 1 MATERIAL
 CONTACT COPPER ALLOY
 HOUSING THERMOPLASTIC RESINdUL94V-0 BLACK
- 2 FINISH
 CONTACT NICKEL ALL OVER UNDER PLATING,
 GOLD PLATING AT CONTACT AREA,
 TIN PLATING AT LEAD AREA,

SMT TYPE



A-A
 SCALE 5:1

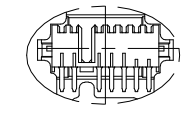
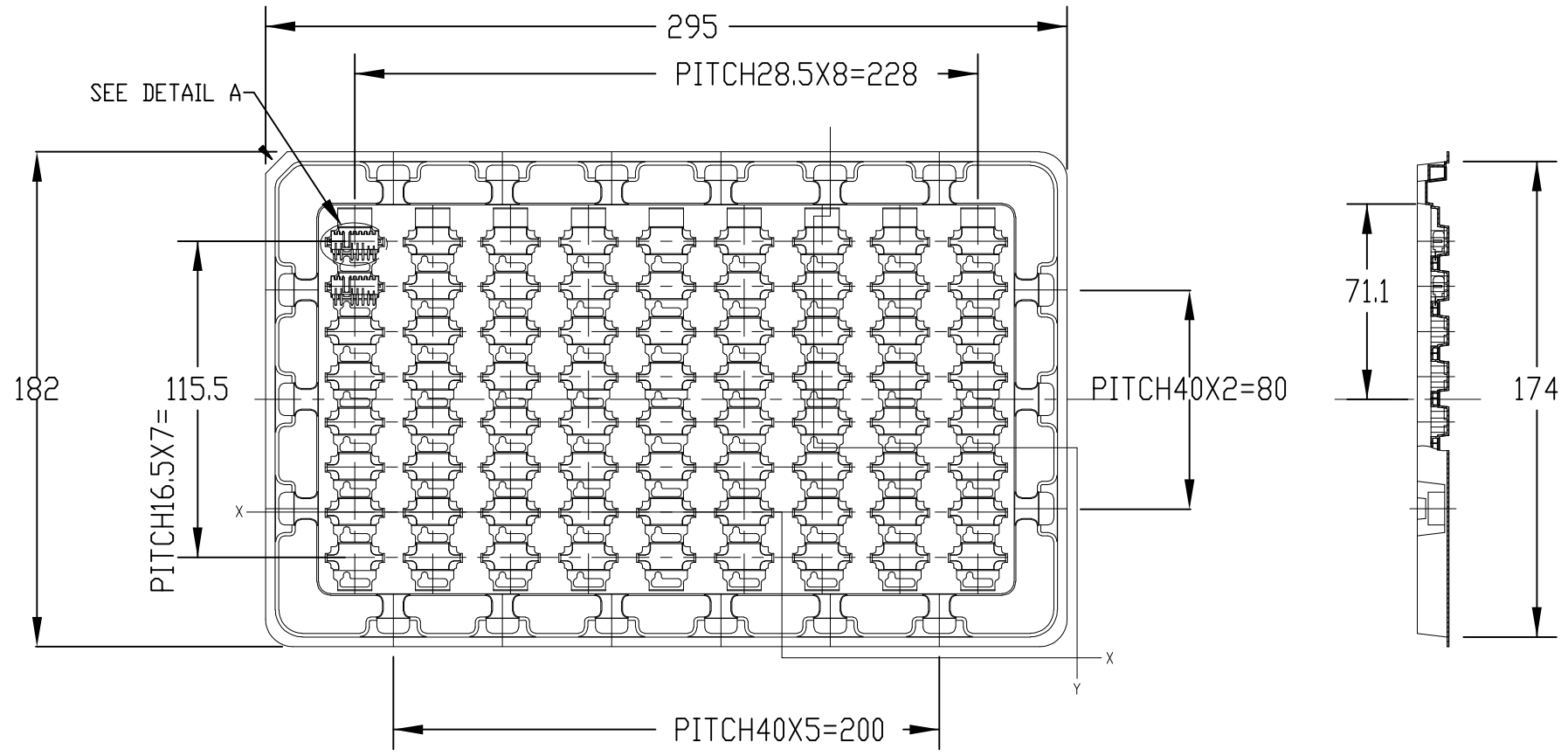
THERMOPLASTIC RESIN(HALOGEN FREE)	2.60	1.80	1-1827684-3
THERMOPLASTIC RESIN(HALOGEN FREE)	4.0	3.20	1-1827684-2
THERMOPLASTIC RESIN(HALOGEN FREE)	2.60	1.80	1827684-3
THERMOPLASTIC RESIN(HALOGEN FREE)	4.0	3.20	1827684-2
THERMOPLASTIC RESIN	4.0	3.20	1827684-1
HOUSING MATERIAL	DIM,B	DIM.A	P/N



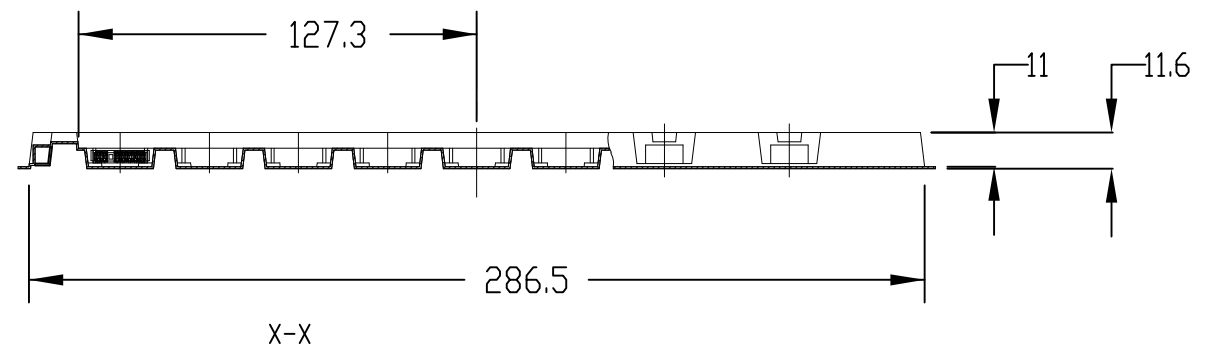
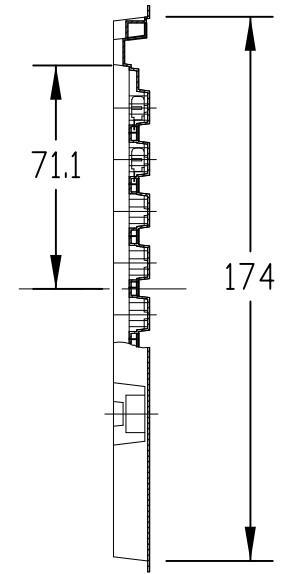
THIS DRAWING IS A CONTROLLED DOCUMENT.		DWN	T.KATANO	04 JUL 05		TE Connectivity											
DIMENSIONS: mm		CHK	T.KIMURA	04 JUL 05		NAME											
TOLERANCES UNLESS OTHERWISE SPECIFIED: ±0.3		APVD	T.KIMURA	04 JUL 05		RECEPTACLE ASSEMBLY 7POS. 2mm PITCH BATTERY CONNECTOR											
0-PLC ± 1-PLC ±0.1 2-PLC ±0.01 3-PLC ±0.001 4-PLC ±0.0001 ANGLES ±3 FINISH		PRODUCT SPEC	108-78292			SIZE	CAGE CODE	DRAWING NO	RESTRICTED TO								
MATERIAL	1	APPLICATION SPEC	-		WEIGHT	0.7g	A3	00779	C=1827684	SCALE	2:1	SHEET	1	OF	2	REV	D1
CUSTOMER DRAWING																	

THIS DRAWING IS UNPUBLISHED. RELEASED FOR PUBLICATION 20
 © COPYRIGHT 20 - ALL RIGHTS RESERVED.


LOC	DIST	REVISIONS			
P	LTR	DESCRIPTION	DATE	DWN	APVD
ES	-	SEE SHEET 1	-	-	-



DETAIL A
SCALE 1:1



1. 72PCS/TRAY

THIS DRAWING IS A CONTROLLED DOCUMENT.		DWN T.KATANO	04 JUL 05	 TE Connectivity	
DIMENSIONS: mm		CHK T.KIMURA	04 JUL 05		
TOLERANCES UNLESS OTHERWISE SPECIFIED: ± 0.3		APVD T.KIMURA	04 JUL 05	NAME RECEPTACLE ASSEMBLY 7POS. 2mm PITCH BATTERY CONNECTOR	
0-PLC ± 1-PLC ±0.1 2-PLC ±0.01 3-PLC ±0.001 4-PLC ±0.0001 ANGLES ±3 FINISH -		PRODUCT SPEC 108-78292		RESTRICTED TO -	
MATERIAL -		APPLICATION SPEC -		SIZE A3	CAGE CODE 00779
		WEIGHT 0.7g		DRAWING NO C=1827684	
CUSTOMER DRAWING				SCALE 2:1	SHEET 2 OF 2
				REV D1	