



# PRODUCT DATASHEET

## STELLA series

last update 5/4/2016

### DETAILS

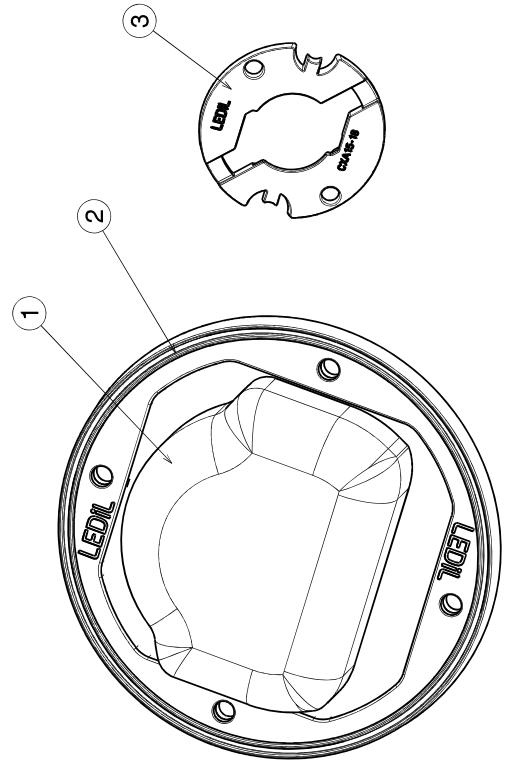
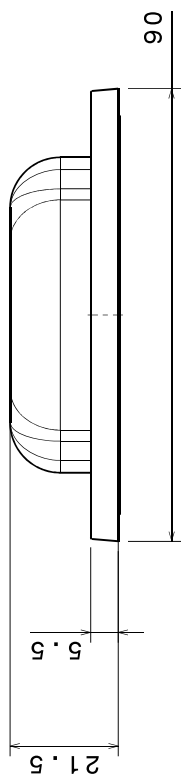
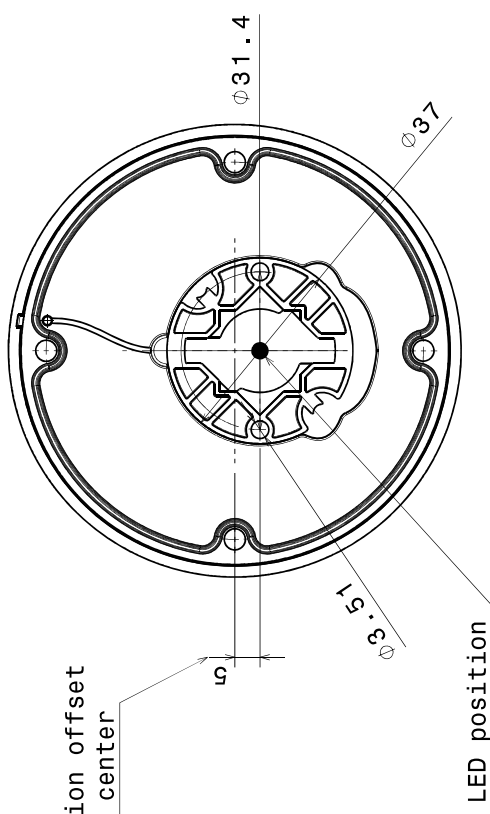
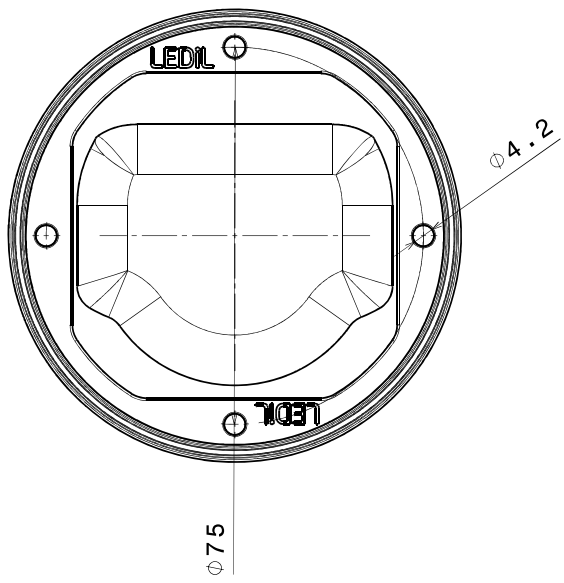
<b>Product Number</b>	FCN14661_STELLA-A
<b>Family</b>	STELLA
<b>Type</b>	Pack
<b>Color</b>	black
<b>Diameter</b>	90 mm
<b>Height</b>	22 mm
<b>Style</b>	round
<b>Optic Material</b>	Silicone
<b>Holder Material</b>	
<b>Fastening</b>	
<b>Status</b>	production ready
<b>ROHS Comliant</b>	Yes
<b>Date Updated</b>	5/04/2016



### OPTICAL PROPERTIES

LED	Viewing	Light	Effi-	cd/lm	Connector
	Angle	Beam	ciency		
CXA/B 1816 & CXA/B 1820 & CXA 1850	Asymmetric deg	Asymmetric	91 %	0.732	-
CXA/B 15xx	Asymmetric deg	Asymmetric	91 %	1.030	-

NOTES:  
 A very thin layer of thermal interface material recommended during COB assembly.  
 Maximum recommended tightening torque for STELLA-FRAME is 0,4Nm



INDEX	PART NO	DESCRIPTION	MATERIAL	COLOUR
1	F13321	STELLA-A	Optical silicone	clear
2	F13322	STELLA-FRAME	PA	black
3	C14305	STELLA-CLAMP-CXA15-18	PC	white

Tolerances if not otherwise shown  
 According to DIN ISO 2768-1  
 Please note that due to the elasticity of products made of silicone actual measured values may vary, and therefore typical tolerance values may not be applied.

LEDIL Oy  
 Salorankatu 10  
 FIN 24240 SALO  
 Finland

THIRD ANGLE PROJECTION:  


DRAWING TITLE  
 FCN14661\_STELLA-A

SIZE PART NUMBER  
 A3 FCN14661

SCALE 1:1 WEIGHT 60,4 g SHEET 1/1

B A

**NOTE: The typical divergence will be changed by different color, chip size and chip position tolerance. The typical total divergence is the full angle measured where the luminous intensity is half of the peak value.**

#### **GENERAL INFORMATION**

- Product series especially designed & optimized for series of LEDs.
- Special care taken to make light distribution as uniform as possible.

Note! Due to use of high power COB's with this product, special attention to proper thermal design is highly recommended. LEDiL has no liability for direct, indirect or consecutive damages arising from the LEDiL products being used outside of the recommended temperature range.