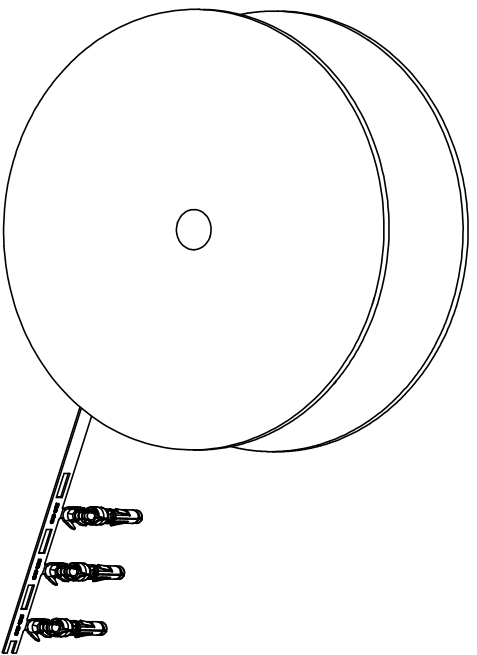


REVISIONS				
REV	ECO	DESCRIPTION	DATE	BY APPR
A1	-	RELEASED DRAWING	Nov-9-17	Rookie Tommy
A2	-	ADD THE GS PART NUMBER	Jan-28-19	Blink Tommy
A3	-	CHANGE HAND CRIMPER	Nov-8-19	Flan Tommy

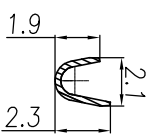
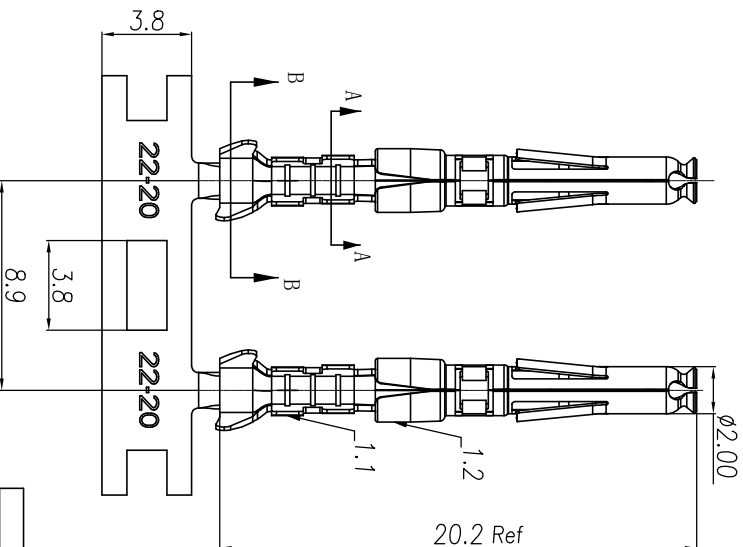


CONTACT ORIENTATION ON ROLL

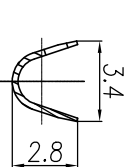
NOTES: (UNLESS OTHERWISE SPECIFIED)

- MATERIAL:
 - CONTACT BODY: COPPER ALLOY.
 - OUTER SPRING: STAINLESS STEEL.
- SPECIFICATIONS:
 - CURRENT RATING: 5A MAX.
 - TERMINATION TYPE: CRIMPING.
 - WIRE RANGE: 22~20AWG.
 - WIRE INSULATION DIA(MAX): $\varnothing 2.6\text{mm}$.
- RHS COMPLIANT.
- ALL DIMENSIONS ARE FOR REFERENCE USE ONLY.
- AVAILABLE TOOLS:
 - HAND CRIMPER: MFX-3958. ^(A3)
 - CRIMP APPLICATOR: MFX-3957.
 - EXTRACTION TOOL: QXRT20.

P/N	CONTACT PLATING(MATING AREA)
SS20W2T	TIN PLATING OVER NICKEL.
SS20W2N	NICKEL PLATING OVER COPPERIZE.
SS20W2F	GOLD FLASH PLATING OVER NICKEL.
SS20W2G5	5 μ " GOLD PLATING OVER NICKEL.
SS20W2G10	10 μ " GOLD PLATING OVER NICKEL.
SS20W2G15	15 μ " GOLD PLATING OVER NICKEL.
SS20W2G30	30 μ " GOLD PLATING OVER NICKEL.



SECTION A-A



SECTION B-B

QUANTITY	PART NUMBER	DESCRIPTION	ITEM

MATERIALS LIST

UNLESS OTHERWISE SPECIFIED		
1) All dimensions are in millimeters.	SIGNATURES	DATE
2) Tolerances are as follows:	DRWN: Flan	Nov-8-19
3) Pl. DEC 20-19	CHKD: Flan	Nov-8-19
4) Pl. DEC 20-19	ENGR: Tommy	Nov-8-19
5) Pl. DEC 20-19	APPR: Tommy	Nov-8-19
6) Note reference =	CUSTOMER:	

MATERIAL SPECIFICATIONS	PROCESS SPECIFICATIONS	SCALE: NONE	SIZE: B	TYPE: C-	DWG NO: SS20W2XX	REVISION: A3
NEXT ASSY:		ECO-MATE SOCKET CONTACT, STAMPED, 20-22AWG, SIZE 20		SHEET 1 OF 1		

Amphenol
 Sine Systems - www.amphenol-sine.com
 44724 Monty Drive
 Clinton Township, MI 48038