

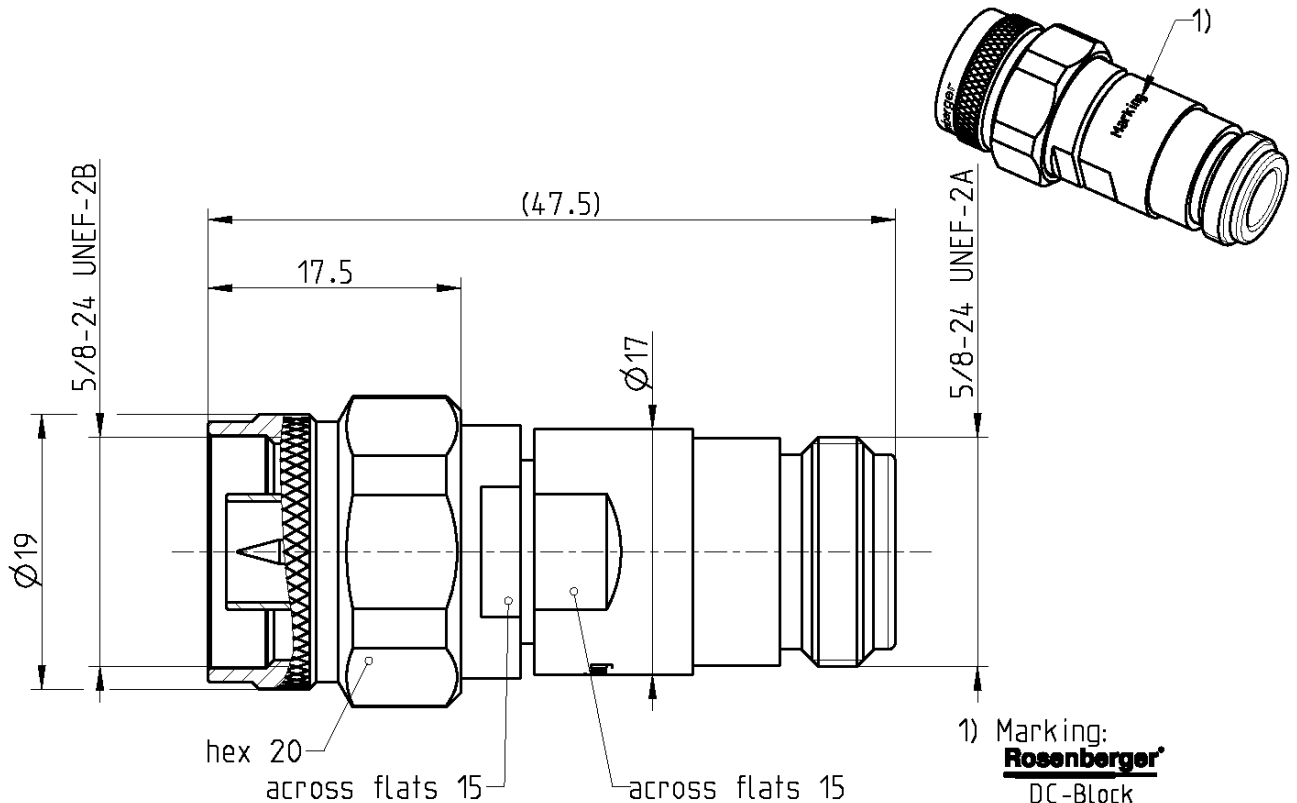
# Technical Data Sheet

# Rosenberger

RPC-N  
50 Ω

DC-Block  
plug - jack

05DS121-K00S3



1) Marking:  
**Rosenberger**  
DC-Block  
05DS121-K00  
3 MHz to 18 GHz

All dimensions are in mm; tolerances according to ISO 2768 m-H

### Interface

According to

IEC 61169-16

### Documents

N/A

### Material and plating

#### Connector parts

Center contact  
Outer contact  
Coupling nut  
Dielectric

#### Material

CuBe  
Stainless steel  
Stainless steel  
PPE

#### Plating

Gold, min. 1.27 μm, over chemical nickel  
Passivated  
Passivated

RPC-N  
50 Ω DC-Block  
plug - jack

**05DS121-K00S3**

**Electrical data**

Impedance 50 Ω  
 Frequency 3 MHz to 18 GHz  
 Return loss ≥ 25 dB, 3 MHz to 18 GHz  
 Insertion loss ≤ 0.5 dB, 3 MHz to 18 GHz  
 Insulation resistance ≥ 5 GΩ  
 Working voltage (at sea level) 50 Vdc max.  
 Capacity 9 nF  
 Block type Center contact only

**Mechanical data**

Mating cycles ≥ 500  
 Center contact captivation ≥ 28 N  
 Coupling test torque 1.70 Nm  
 Recommended torque 0.70 Nm to 1.10 Nm

**Environmental data**

Temperature range -40°C to +85°C  
 Thermal shock IEC 61169-1, Subclause 9.4.4  
 Corrosion IEC 61169-1, Subclause 9.4.6  
 Vibration IEC 61169-1, Subclause 9.3.3  
 Shock IEC 61169-1, Subclause 9.3.14  
 Moisture resistance IEC 61169-1, Subclause 9.4.3  
 RoHS compliant

**Tooling**

N/A

**Suitable cables**

N/A

**Weight**

61.5 g/pce

While the information has been carefully compiled to the best of our knowledge, nothing is intended as representation or warranty on our part and no statement herein shall be construed as recommendation to infringe existing patents. In the effort to improve our products, we reserve the right to make changes judged to be necessary.

For the installation of the electrotechnical equipment, particular electrotechnical expertise is required.



Dieses Dokument ist urheberrechtlich geschützt • This document is protected by copyright • Rosenberger Hochfrequenztechnik GmbH & Co. KG

RFB00035/12.2016.4

Draft	Date	Approved	Date	Rev.	Engineering change number	Name	Date
H.Babinger	27.07.04	F.Reiner	16.02.23	e00	23-0276	T. Börgerding	16.02.23

Rosenberger Hochfrequenztechnik GmbH & Co. KG P.O.Box 1260 D-84526 Tittmoning Germany <a href="http://www.rosenberger.com">www.rosenberger.com</a>				Tel. : +49 8684 18-0 Email : <a href="mailto:info@rosenberger.com">info@rosenberger.com</a>			Page 2 / 2
--	--	--	--	--	--	--	---------------