

NOTES:

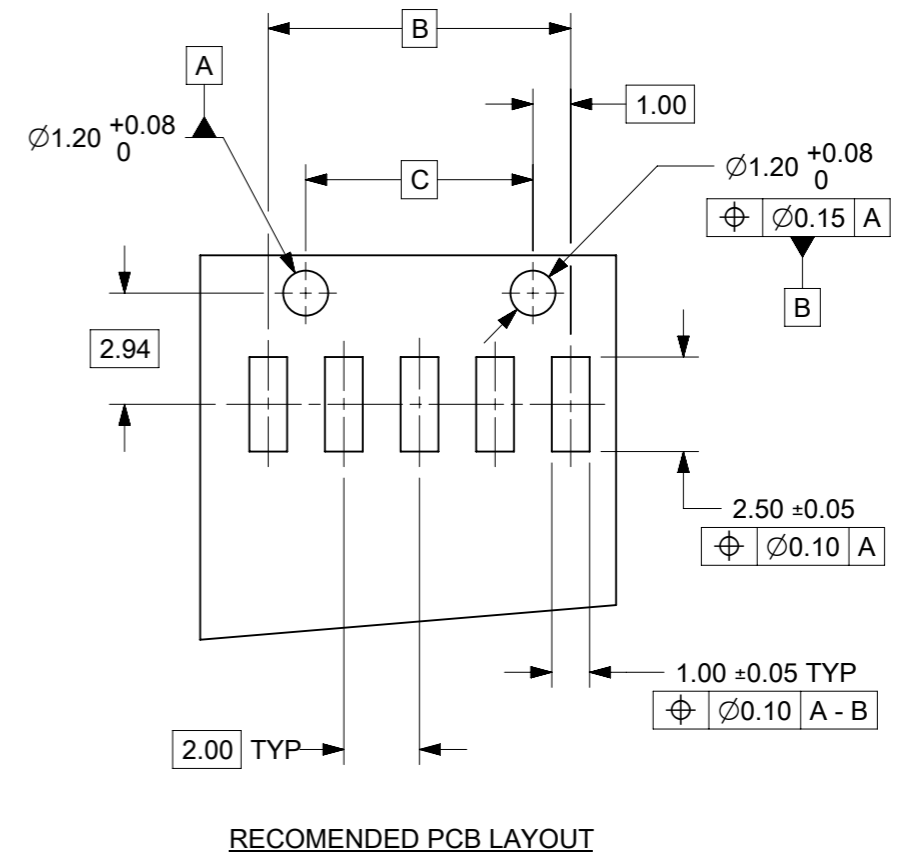
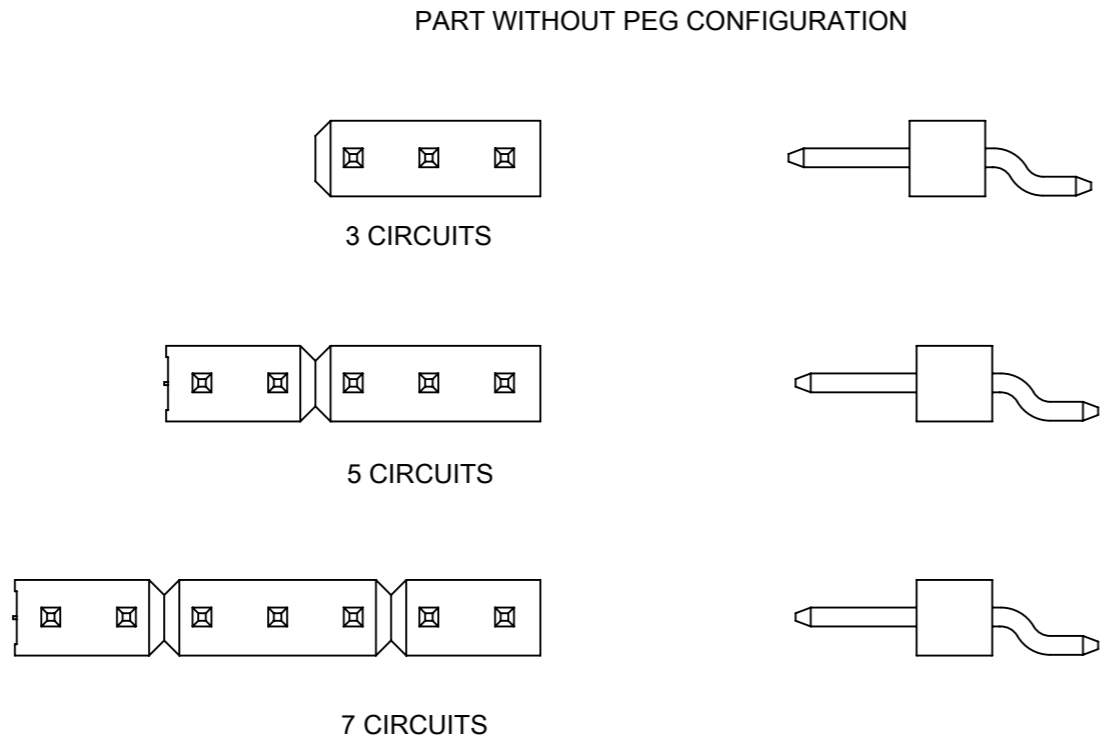
- MATERIAL:
HSG: LCP, GLASS-FILLED, UL94V-0, COLOR:BLACK
PIN: 0.50mm SQ, COPPER ALLOY
- PLATING:
(1) 2.54µm TIN OVERALL PLATING OVER NICKEL OVERALL
(2) 5.08µm TIN OVERALL PLATING OVER NICKEL OVERALL
- PACKAGING TYPE: SEE TABLE
- PACKAGING SPECIFICATION:
TRAY: PK-89990-487
TAPE & REEL: PK-89990-484
- PRODUCT SPEC PS-87761-100 APPLIES
- IRREGULAR CIRCUIT CUTOFF WITHIN BREAKAWAY SECTION IS PERMISSIBLE. MEASUREMENT AT BOTH ENDS, FROM CUT END TO THE CENTRELINE OF THE HOUSING CORE HOLE OF THE FIRST PIN REMAINS AT 0.95±0.20mm. CUTTING AND CHIPPING OF THE MAIN BODY IS NOT ACCEPTABLE.
- THE ABOVE CKT 5 IS FOR ILLUSTRATION PURPOSE ONLY
- COPLANARITY IS TO BE MEASURED BY RESTING THE SOLDER TAIL ON A GAUGE SURFACE
- KAPTON TAPE LOCATION IS CENTRED AT THE PART AS POSSIBLE.
- RECOMMENDED PCB BOARD THICKNESS: 1.60±0.10mm

THIS DRAWING CONTAINS INFORMATION THAT IS PROPRIETARY TO MOLEX ELECTRONIC TECHNOLOGIES, LLC AND SHOULD NOT BE USED WITHOUT WRITTEN PERMISSION									
DIMENSION UNITS		SCALE		CURRENT REV DESC: BRIGHT TIN PHASE OUT				molex	
MM		NTS							
GENERAL TOLERANCES (UNLESS SPECIFIED)								2MM SINGLE ROW HDR (ODD) SMT WITH PEG, BREAKAWAY	
								PRODUCT CUSTOMER DRAWING	
4 PLACES ±		±		EC NO: 679909				DOCUMENT NUMBER	
3 PLACES ±		±		DRWN: AKUMAR19 2021/07/27				SD-87858-022	
2 PLACES ±		0.2 ±		CHK'D: MRAMAKRISHNA 2021/10/11				DOC TYPE	
1 PLACE ±		±		APPR: MRAMAKRISHNA 2021/10/11				PSD	
0 PLACES ±		±		INITIAL REVISION:				DOC PART	
ANGULAR TOL ± 3.0°				DRWN: CWLAM 2007/12/04				001	
				APPR: KWLEE 2007/12/17				REVISION	
DRAFT WHERE APPLICABLE MUST REMAIN WITHIN DIMENSIONS		THIRD ANGLE PROJECTION		DRAWING		SERIES		SHEET NUMBER	
		A3-SIZE		87858		MATERIAL NUMBER		GENERAL MARKET	
						SEE TABLE		1 OF 3	

CKT SIZE	DIMENSION		
	A	B	C
03	5.90	4.00	-
05	9.90	8.00	6.00
07	13.90	12.00	10.00
09	17.90	16.00	14.00
11	21.90	20.00	18.00
13	25.90	24.00	22.00
15	29.90	28.00	26.00
17	33.90	32.00	30.00
19	37.90	36.00	34.00

PART NO. IN TAPE & REEL PACKAGING	CKT # SIZE	PART NO. IN TRAY PACKAGING	KAPTON TAPE	PEG	PLATING OPTION	VOID POSITION	DIMENSION		
							F	MATING END	SOLDER TAIL
								M	(P)
87858-0550	5	-	Y	N	1	----	8.00	3.20	2.80
87858-0750	7	-	Y	N	1	----	8.00	3.20	2.80
87858-0751	7	-	N	Y	1	----	8.00	3.20	2.80
87858-0760	7	-	Y	N	1	----	8.97	4.17	2.80
87858-0761	7	-	Y	N	1	----	8.97	4.17	2.80

(D1)

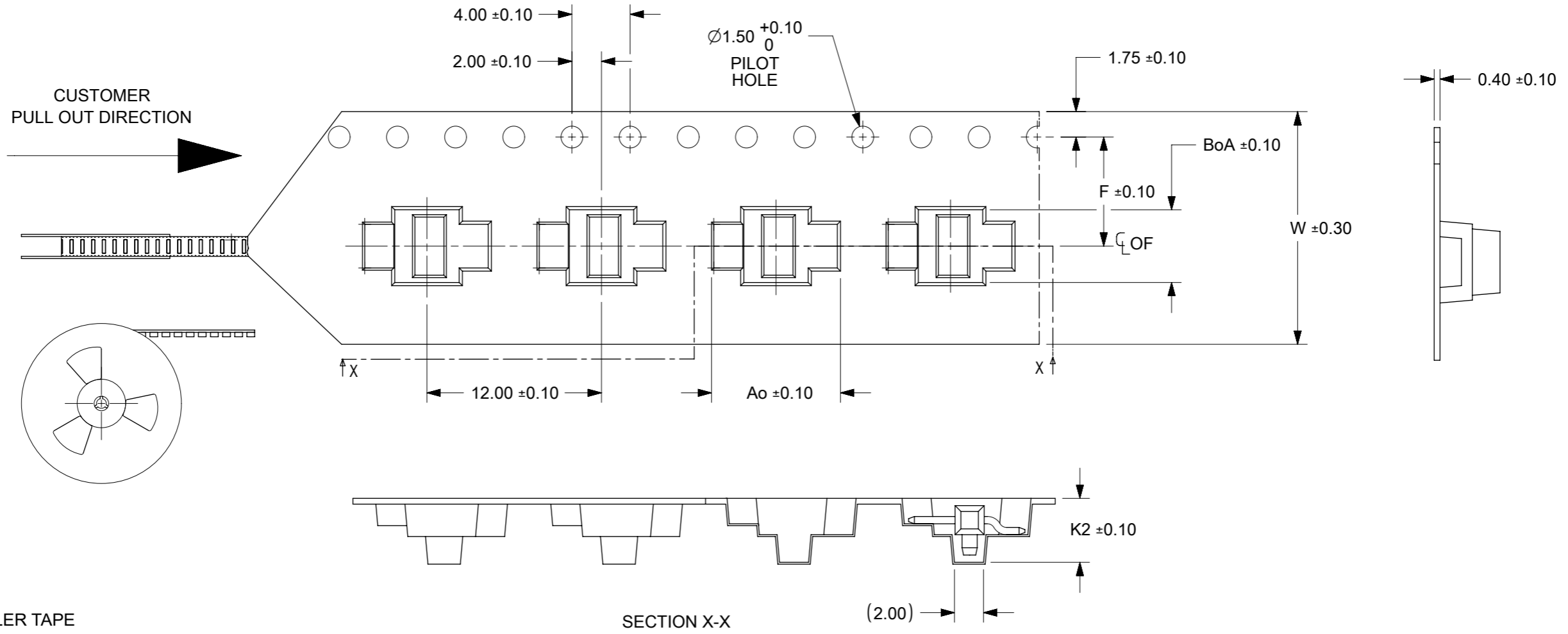


THIS DRAWING CONTAINS INFORMATION THAT IS PROPRIETARY TO MOLEX ELECTRONIC TECHNOLOGIES, LLC AND SHOULD NOT BE USED WITHOUT WRITTEN PERMISSION											
DIMENSION UNITS		SCALE		CURRENT REV DESC: BRIGHT TIN PHASE OUT						molex	
MM		NTS									
GENERAL TOLERANCES (UNLESS SPECIFIED)				EC NO: 679909		DRWN: AKUMAR19		2021/07/27		2MM SINGLE ROW HDR (ODD) SMT WITH PEG, BREAKAWAY	
				CHK'D: MRAMAKRISHNA		2021/10/11					
				APPR: MRAMAKRISHNA		2021/10/11				PRODUCT CUSTOMER DRAWING	
				INITIAL REVISION:							
				DRWN: CWLAM		2007/12/04		DOCUMENT NUMBER		DOC TYPE	
				APPR: KWLEE		2007/12/17		SD-87858-022		PSD	
				DRAFT WHERE APPLICABLE MUST REMAIN WITHIN DIMENSIONS		THIRD ANGLE PROJECTION		DRAWING		SHEET NUMBER	
						A3-SIZE		SERIES		87858	
								MATERIAL NUMBER		CUSTOMER	
								SEE TABLE		GENERAL MARKET	

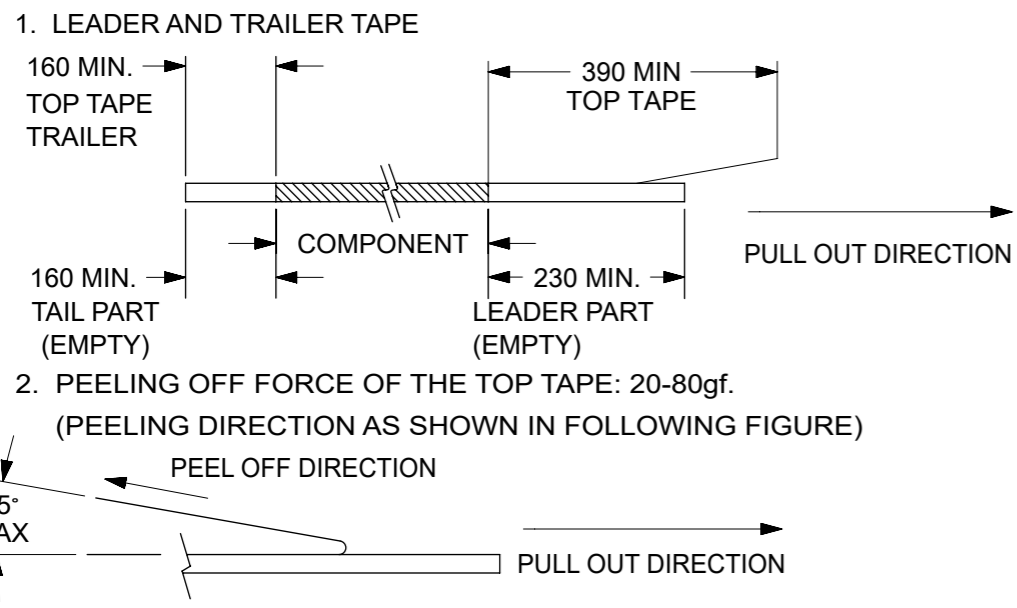
DOCUMENT STATUS	P1	RELEASE DATE	2021/10/11	11:54:03
-----------------	----	--------------	------------	----------

CKT	DIMENSION					PACKABLE QTY
	BoA	Ao	K2	F	W	
5	11.20	8.50	4.40	11.50	24.00	1200
7	15.20	8.50	4.40	11.50	24.00	1200

TAPE AND REEL INFORMATION



NOTES:



3. MATERIAL: BLACK P.S CONDUCTIVE
4. PACKAGING STANDARD IS AS PER EIA-481.
5. THE TAPE IS TREATED FOR ANTI-STATIC.

SECTION X-X

PART IN TAPE & REEL ORIENTATION (FOR REF. ONLY)

THIS DRAWING CONTAINS INFORMATION THAT IS PROPRIETARY TO MOLEX ELECTRONIC TECHNOLOGIES, LLC AND SHOULD NOT BE USED WITHOUT WRITTEN PERMISSION

DIMENSION UNITS	SCALE	CURRENT REV DESC: BRIGHT TIN PHASE OUT		molex		
MM	NTS					
GENERAL TOLERANCES (UNLESS SPECIFIED)				2MM SINGLE ROW HDR (ODD) SMT WITH PEG, BREAKAWAY		
				PRODUCT CUSTOMER DRAWING		
EC NO: 679909				DOCUMENT NUMBER	DOC TYPE	DOC PART
DRWN: AKUMAR19				SD-87858-022	PSD	001
CHK'D: MRAMAKRISHNA				REVISION		
APPR: MRAMAKRISHNA						
INITIAL REVISION:				SHEET NUMBER		
DRWN: CWLAM				3 OF 3		
APPR: KWLEE						
DRAFT WHERE APPLICABLE MUST REMAIN WITHIN DIMENSIONS		THIRD ANGLE PROJECTION	DRAWING	SERIES	MATERIAL NUMBER	CUSTOMER
			A3-SIZE	87858	SEE TABLE	GENERAL MARKET