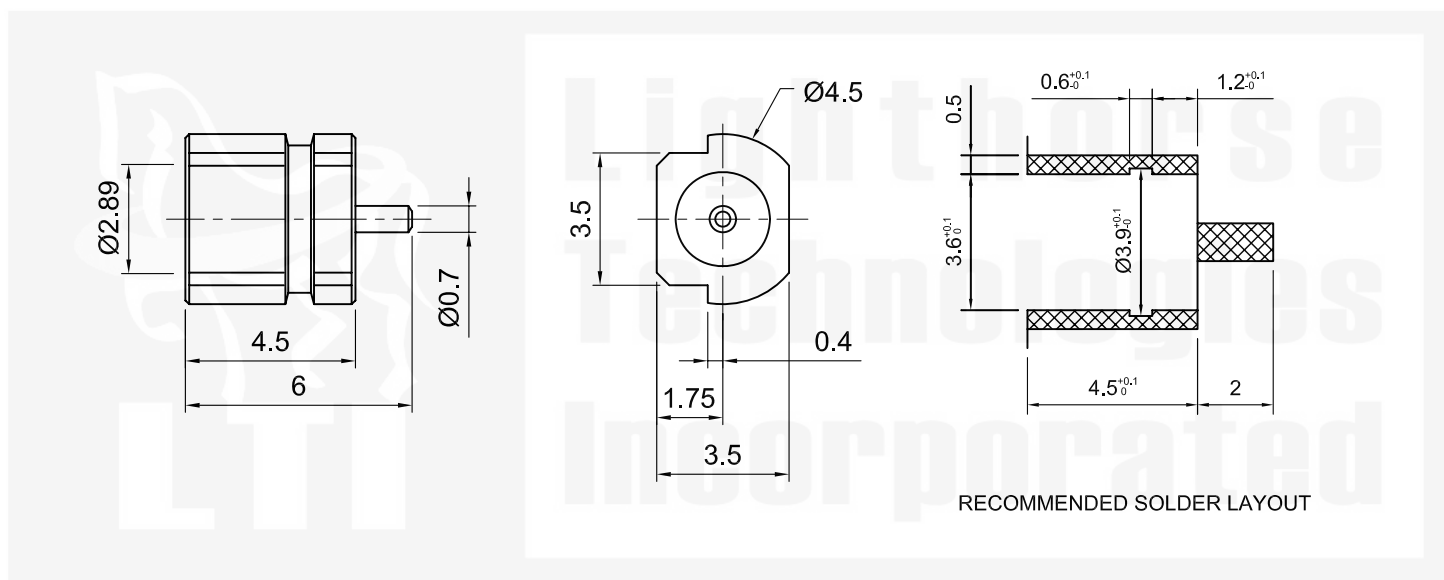



Tolerances 1-20=+/-0.2 20-30=+/-0.3 30-40=+/-0.4 40-50=+/-0.5 50-100=+/-0.75 100-300=+/-1.5 Angles=+/-1 Dimensions are in Millimeters	Revisions	Approved	Date
	Description/Approved/Date	M.H.	01/25/03
		Checked	Date
		M.H.	01/25/03
	Drawn	Date	
	K.R.E.	01/23/03	
	NOTES (plating thickness in micro-inches): 1. Per QQ-B-626 2. Per QQ-S-764 3. Per QQ-C-530 4. Per QQ-B-750 5. Per MIL-P-19468 6. Per ZZ-R-765 7. Per WW-T-799 8. Gold pl. 5 min. over nickel pl. 50 min. over copper strike 9. Nickel pl. 100 min. over copper strike 10. Per QQ-P-35 11. Gold pl. 30 min. over nickel pl. 50 min. over copper strike		



ITEM	MATERIAL	FINISH	 Lighthouse Technologies, Inc. 5640 Kearny Mesa Road, Suite N San Diego, California 92111 Part Number: LTI-MCSF96GT		
Connector Body	Brass, Note 1	Gold, Note 8	Description MMCX edge mount PCB jack. Gold plated brass body, teflon dielectric. Scale 5:1 Drawing No. MMCX/MCSF96 File Name MCSF96		
Center Contact: Female	Beryllium Copper, Note 3	Gold, Note 11			
Insulation	Teflon, Note 5	None			
Ferrule	--	--			
Gasket	--	--			
Hex Nut	--	--			
Lock Washer	--	--			