

Descriptions

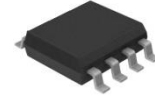
LC5710S is a high efficiency LED driver in which a power MOSFET and a control IC are highly integrated.

The IC achieves buck/ boost/ buck-boost LED drive circuit.

Having a rich set of protection features, the IC can provide more cost-effective power supply systems with fewer external components.

Package

SOP8



Features

- Buck/ boost/ buck-boost
- High Efficiency
 $\eta > 90\%$ (typ.)
- $I_{LED} = 1.0$ A (max.)
- $f_{OSC} = 100$ kHz to 500 kHz (Externally Adjustable)
- Current Setting with High Accuracy
 $V_{CS} = 100$ mV \pm 3%
- Dimming Control with High Accuracy
PWM: 20 kHz
DC: 0.2 V to 2 V
- Protections
Overcurrent Protection (OCP): Pulse-by-pulse
Overvoltage Protection (OVP): Auto-restart
Thermal Shutdown (TSD): Auto-restart
LED Incorrect Connection Protection

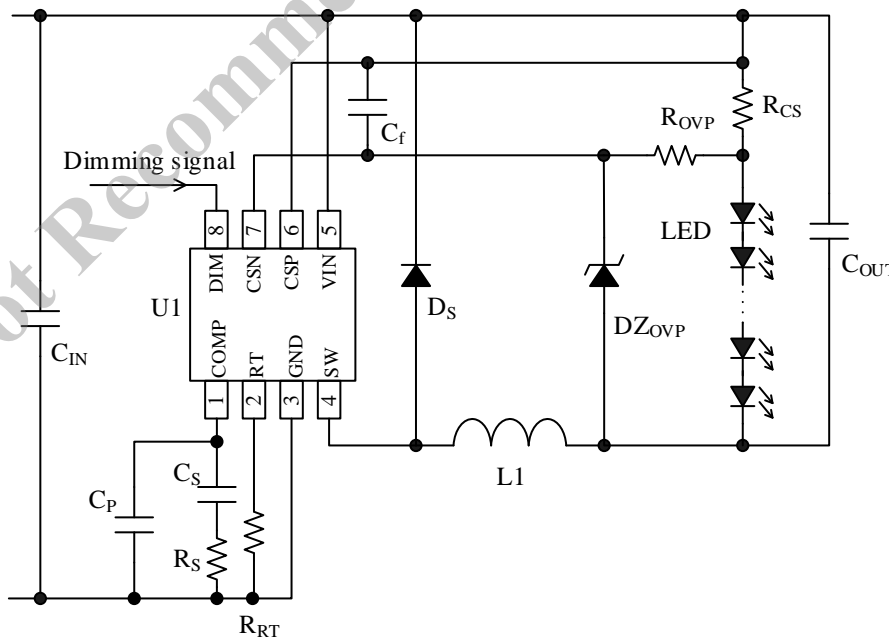
Specifications

- Power Supply Voltage Range: 5 V to 58 V
- On-resistance $R_{DS(ON)}$: 550 m Ω (typ.)

Applications

- LED Lighting
- LCD Bulbs

Typical Application (Buck Converter)



Contents

Descriptions	1
Contents	2
1. Absolute Maximum Ratings	3
2. Recommended Operating Conditions	3
3. Electrical Characteristics	4
4. Block Diagram	5
5. Pin Configuration Definitions	5
6. Typical Application	6
7. Physical Dimensions	8
8. Marking Diagram	9
9. Operational Description	10
9.1 PWM Current Control	10
9.2 LED Dimming	10
9.2.1 Analog Dimming	10
9.2.2 Digital Dimming	11
9.3 LED On/Off Function	12
9.4 Overcurrent Protection (OCP)	12
9.5 Overvoltage Protection (OVP)	12
9.6 LED Incorrect Connection Protection	13
9.7 Thermal Shutdown	14
9.8 Converter Type Selection	14
9.9 External Inductor Setting	15
9.10 Calculation of Power Dissipation, P_D	17
9.10.1 Control Circuit Loss, P_{CONT}	17
9.10.2 Switching Time of Power MOSFET	17
9.10.3 Switching Loss, P_{SW} of Power MOSFET	18
9.10.4 On-resistance Loss, P_{ON} , of Power MOSFET	18
10. Design Notes	19
10.1 Thermal Derating Curve	19
10.2 External Components	19
10.2.1 Inductor (L_1)	19
10.2.2 Diode (D_S)	19
10.2.3 Current Detection Resistor (R_{CS})	19
10.2.4 Input Capacitor (C_{IN})	19
10.2.5 Output Capacitor (C_{OUT})	19
10.2.6 Phase Compensation Circuit (R_S, C_S, C_P)	19
10.2.7 Frequency Setting Resistor (R_{RT})	19
10.3 Phase Compensation (COMP Pin)	20
10.4 PCB Layout	21
11. Pattern Layout Example	24
12. Typical Characteristics	26
Important Notes	32

1. Absolute Maximum Ratings

Current polarities are defined as follows: current going into the IC (sinking) is positive current (+); current coming out of the IC (sourcing) is negative current (-).

Unless specifically noted, $T_A = 25\text{ }^\circ\text{C}$.

Parameter	Symbol	Pins	Conditions	Rating	Unit
VIN Pin Voltage	V_{IN}	5-3		-0.3 to 60.0	V
SW Pin Voltage	V_{SW}	4-3		-0.3 to 60.0	V
CSP Pin Voltage	V_{CSP}	6-3		-0.3 to 60.0	V
CSN Pin Voltage	V_{CSN}	7-3		-0.3 to 60.0	V
CSP/CSN Pin Differential Voltage	V_{CSP_CSN}	6-7		-0.3 to 3.3	V
COMP Pin Voltage	V_{COMP}	1-3		-0.3 to 3.3	V
DIM Pin Voltage	V_{DIM}	8-3		-0.3 to 3.3	V
RT Pin Voltage	V_{RT}	2-3		-0.3 to 3.3	V
Allowable Power Dissipation ⁽¹⁾	P_D	—	⁽²⁾	1.2	W
Junction-to-GND Pin Thermal Resistance	θ_{J-L}	—		59.0	$^\circ\text{C/W}$
Junction-to-Ambient Thermal Resistance	θ_{J-A}	—		82.8	$^\circ\text{C/W}$
Junction Temperature ⁽³⁾	T_J	—		125	$^\circ\text{C}$
Operating Ambient Temperature	T_{OP}	—		-40 to 125	$^\circ\text{C}$
Storage Temperature	T_{STG}	—		-40 to 150	$^\circ\text{C}$

2. Recommended Operating Conditions

Current polarities are defined as follows: current going into the IC (sinking) is positive current (+); current coming out of the IC (sourcing) is negative current (-).

Unless specifically noted, $T_A = 25\text{ }^\circ\text{C}$.

Parameter	Symbol	Min.	Max.	Unit	Remarks
Input Voltage Range	V_{IN}	5	58	V	
Output Current Range ⁽⁴⁾	I_O	0	1	A	Buck ⁽⁵⁾
		0	0.5	A	Boost/ Buck-boost ⁽⁶⁾
DIM Pin Voltage	V_{DIM}	$V_{DIM(OFF)}$	2.5	V	Analog Dimming
DIM Pin Dimming Frequency	f_{DIM}	100	20000	Hz	PWM Digital Dimming
Inductor Ripple Current.	ΔI_L	0.1	0.4	A	
Operating Ambient Temperature Range	T_{OP}	-40	85	$^\circ\text{C}$	

⁽¹⁾ Limited by junction temperature.

⁽²⁾ The IC is mounted on the glass-epoxy board (40 mm × 40 mm) with copper area (25 mm × 25 mm).

⁽³⁾ The temperature detection of thermal shutdown is about 150 $^\circ\text{C}$.

⁽⁴⁾ The IC should be used within the limited range as shown in Figure 10-1.

⁽⁵⁾ In buck mode, the IC should be used in the range of $I_O \leq 1\text{ A}$ and $\Delta I_L \leq 0.4\text{ A}$.

⁽⁶⁾ In boost/ buck-boost mode, the IC should be used in the range of $I_O \leq 0.5\text{ A}$, $\Delta I_L \leq 0.4\text{ A}$.

3. Electrical Characteristics

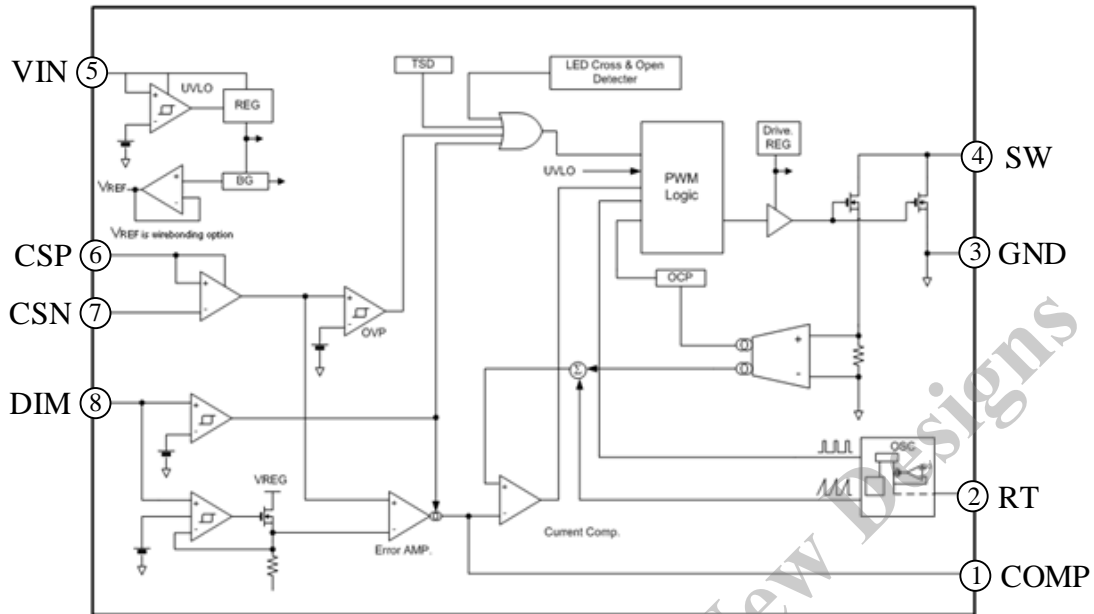
Current polarities are defined as follows: current going into the IC (sinking) is positive current (+); current coming out of the IC (sourcing) is negative current (-).

Unless specifically noted, $T_A = 25\text{ }^\circ\text{C}$, $V_{IN} = 15\text{ V}$.

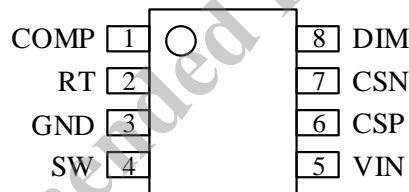
Parameter	Symbol	Pins	Conditions	Min.	Typ.	Max.	Unit
Operation Start Voltage	$V_{IN(ON)}$	5-3		3.8	4.1	4.5	V
Operation Stop Voltage	$V_{IN(OFF)}$	5-3		3.4	3.7	4.2	V
Operation Voltage Hysteresis	$V_{IN(HYS)}$	5-3		0.25	0.37	0.50	V
Circuit Current in Operation*	$I_{IN(ON)}$	5-3		—	1.6	—	mA
Circuit Current in Non-operation*	$I_{IN(OFF)}$	5-3	$V_{IN} = 3\text{ V}$	—	0.24	—	mA
Switching Frequency 1	f_{OSC1}	—	$R_{RT} = 110\text{ k}\Omega$	80	100	135	kHz
Switching Frequency 2	f_{OSC2}	—	$R_{RT} = 18\text{ k}\Omega$	350	500	650	kHz
Minimum On-time	$t_{ON(MIN)}$	—	$V_{COMP} = 0\text{ V}$	100	200	300	ns
Maximum Duty Cycle	D_{MAX}	—	$V_{COMP} = 2.8\text{ V}$	84	90	95	%
Current Detection Threshold Voltage	V_{CS}	6-7		97	100	103	mV
SW Pin Limit Current	$I_{SW(LIM)}$	4-3		1.4	1.8	2.2	A
CSP Pin Current	I_{CSP}	6-3		22	35	50	μA
CSN Pin Current	I_{CSN}	7-3		5	9.5	15	μA
COMP Pin Source Current	$I_{COMP(SO)}$	1-3	$V_{CS} = 20\text{ mV}$ $V_{COMP} = 2\text{ V}$	-65	-50	-35	μA
COMP Pin Sink Current	$I_{COMP(SI)}$	1-3	$V_{CS} = 180\text{ mV}$ $V_{COMP} = 2\text{ V}$	35	50	65	μA
Error Amplifier Conductance*	G_M	—	$V_{CS} = 50\text{ mV to } 150\text{ mV}$	—	4.8	—	ms
Overvoltage Protection Threshold Voltage	$V_{CS(OVP)}$	6-7		140	150	160	mV
Watchdog Timer Setting Time*	t_{WDT}	—	$V_{CS} = 0\text{ V}$ $V_{COMP} > 2.1\text{ V}$	—	30	—	ms
DIM Pin Voltage at LED Turn-on	$V_{DIM(ON)}$	8-3		0.17	0.20	0.23	V
DIM Pin Voltage at LED Turn-off	$V_{DIM(OFF)}$	8-3		0.12	0.15	0.18	V
DIM Pin Hysteresis Voltage	$V_{DIM(HYS)}$	8-3		10	50	100	mV
TSD Operating Temperature*	T_{SD}	—		—	165	—	$^\circ\text{C}$
Thermal Shutdown Temperature Hysteresis*	$T_{SD(HYS)}$	—		—	22	—	$^\circ\text{C}$

* Guaranteed by design.

4. Block Diagram



5. Pin Configuration Definitions



Pin Number	Pin Name	Description
1	COMP	Phase compensation pin. A resistor and a capacitor are connected in series between the COMP GND pins for compensation of the regulation control loop. A capacitor should be connected in parallel as needed.
2	RT	Frequency variable pin. An oscillation frequency adjustment resistor, R_{RT} , is connected between the RT pin and the GND pin.
3	GND	Ground pin
4	SW	Output pin
5	VIN	Power supply input pin. Recommended input voltage range is 5 V to 58 V. To supply the switching current to the IC, connect a capacitor between the VIN and GND pins.
6	CSP	Reference pin for current detection input. A current detection resistor, R_{CS} , is connected.
7	CSN	Current detection negative input pin. The detection resistor, R_{CS} , is connected to the anode side of the LED string via the overvoltage protection resistor, R_{OVP} .
8	DIM	Dimming signal input pin. The DC voltage or the PWM signal is input. Recommended input range of DC voltage is $V_{DIM(OFF)}$ to 2.5 V. Recommended frequency range of PWM signal is 100 Hz to 20 kHz. When the DIM pin voltage is lower than $V_{DIM(OFF)}$, the SW pin turns off.

6. Typical Application

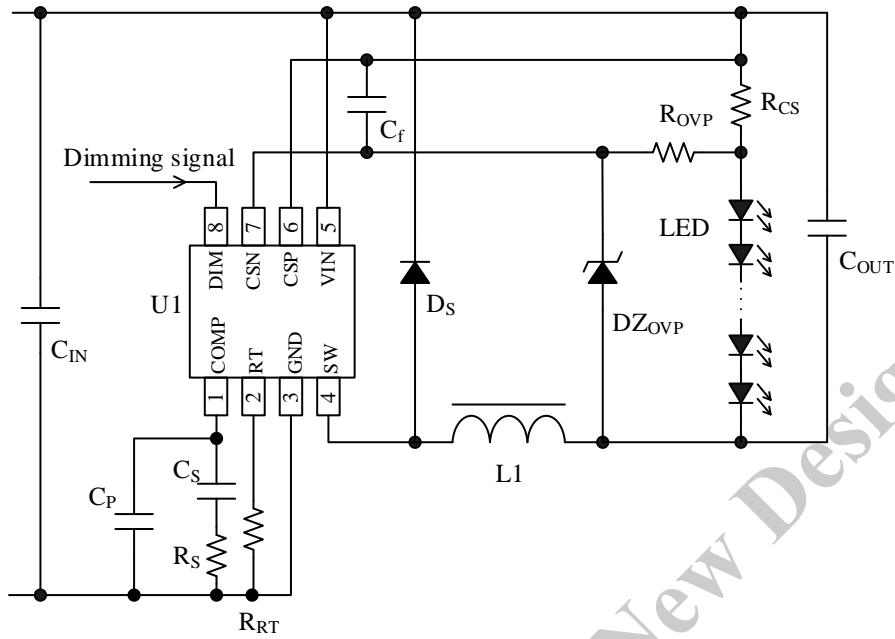


Figure 6-1 Buck Converter Circuit

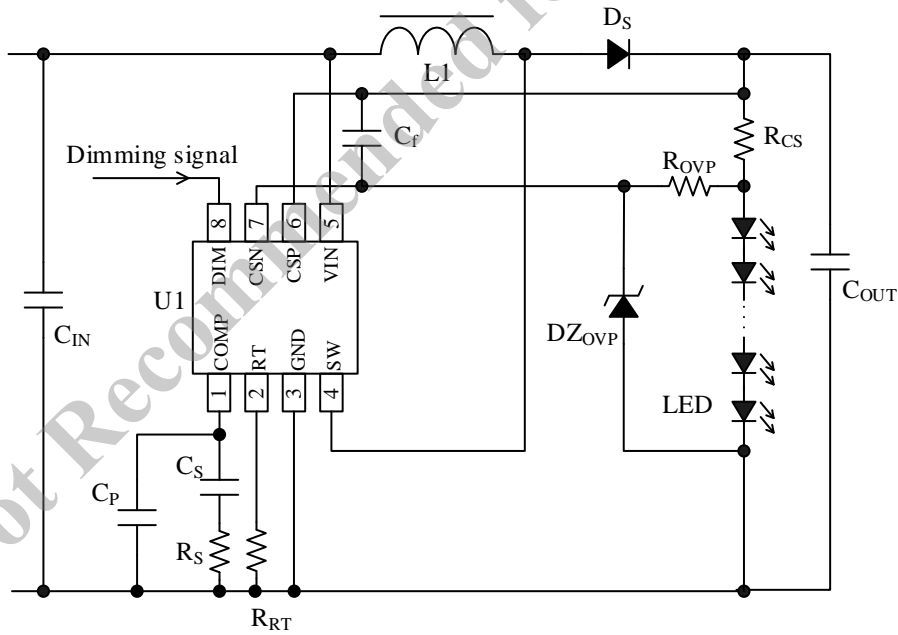


Figure 6-2 Boost Converter Circuit

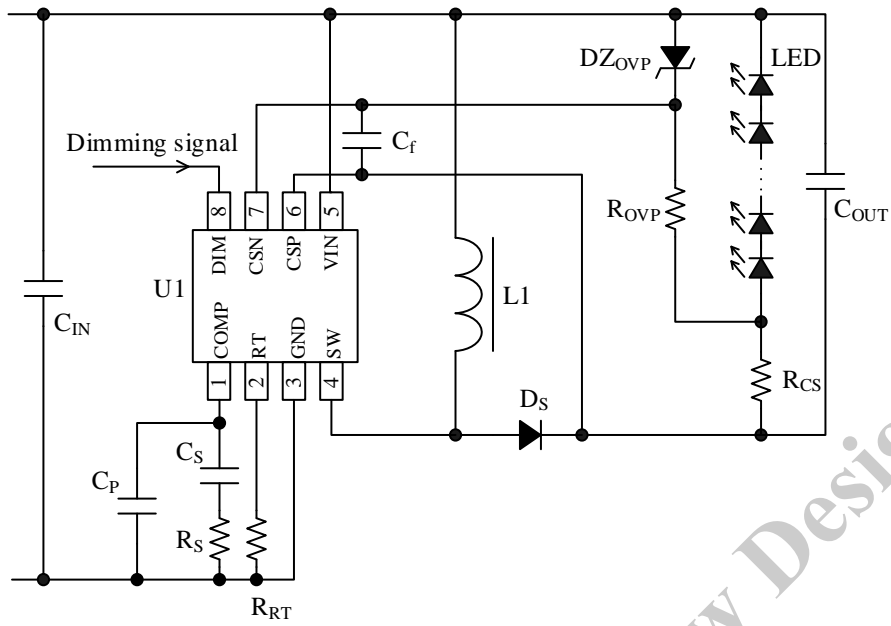
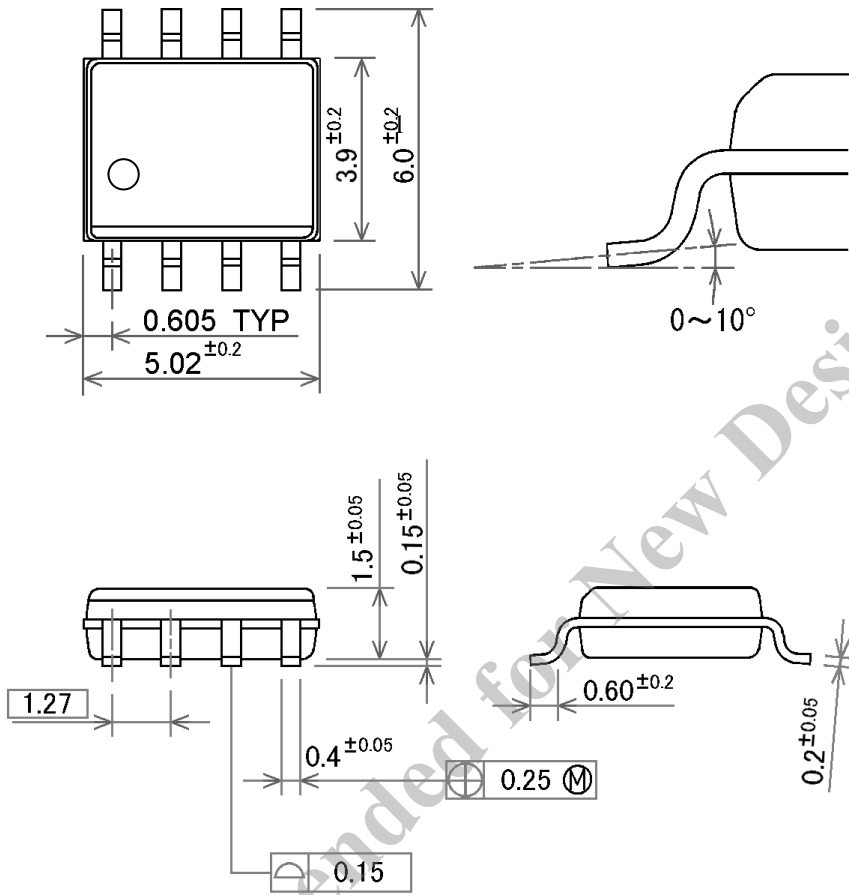


Figure 6-3 Buck-boost Converter Circuit

Not Recommended for New Designs

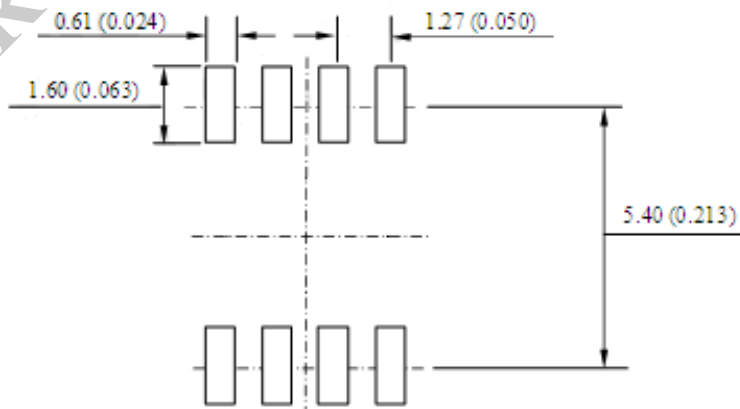
7. Physical Dimensions

- SOP8 Package

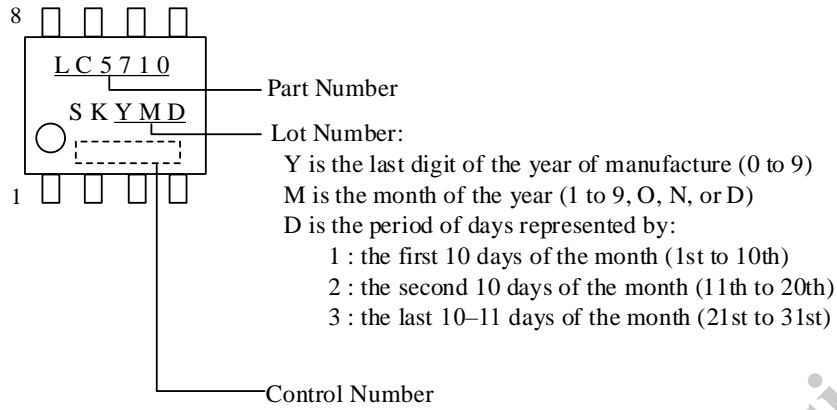


NOTES:

- Dimensions in millimeters
- Pb-free (RoHS compliant)
- SOP8 Land Pattern Example



8. Marking Diagram



Not Recommended for New Designs

9. Operational Description

For concise descriptions, this section employs notation systems that denote the electrical characteristics symbols listed in Section 3 and the electronic symbol names of the typical applications in Section 6. All the characteristic values given in this section are typical values, unless they are specified as minimum or maximum.

9.1 PWM Current Control

The IC achieves the constant current control of the power supply output by using the PWM control of the peak current-mode method that enhances the response speed and provides stable operation. The oscillation frequency, f_{OSC} , is set within the range of 100 kHz to 500 kHz by a resistor, R_{RT} , that is connected between the RT and GND pins (see Figure 9-1). The oscillation frequency, f_{OSC} , is calculated by the following equation.

$$f_{OSC} \text{ (Hz)} = \frac{4.74}{(24 \times R_{RT}) + 0.365 \times 10^{-6}} \times \frac{1}{21.5 \times 10^{-12}} \quad (1)$$

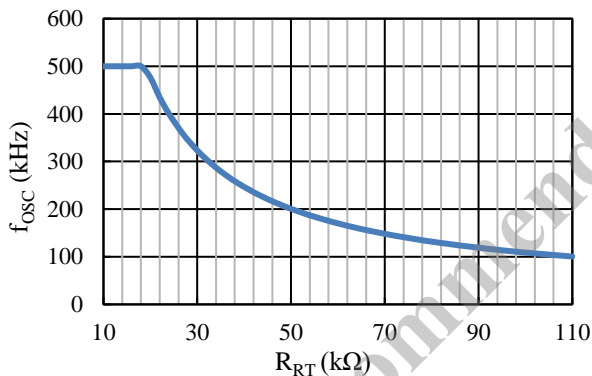


Figure 9-1 R_{RT} vs. f_{OSC}

Figure 9-2 shows the control circuit inside the IC.

The current is controlled to be constant by detecting the current flowing to the power MOSFET, I_D , and the current flowing to the LED, I_{LED} . I_D is detected inside the IC. I_{LED} is detected by a current detection resistor, R_{CS} .

The IC controls the on-time of the internal power MOSFET so that the peak of the value generated from I_D approaches the target value generated from the voltage across R_{CS} , resulting in keeping I_{LED} constant.

I_{LED} is calculated by the following equation.

$$I_{OUT} = \frac{V_{CS} - I_{CSN} \times (R_{CS} + R_{OVP})}{R_{CS}} \quad (2)$$

Where:

I_{CSN} is the SW pin input current (9.5 μ A),

V_{CS} is the current detection threshold voltage (100 mV),

R_{CS} is a current detection resistor, and R_{OVP} is an overvoltage protection resistor.

When $I_{CSN} \times (R_{CS} + R_{OVP})$ is considered negligibly small compared with V_{CS} , I_{LED} can be calculated by the following equation.

$$I_{LED} = \frac{V_{CS}}{R_{CS}} \quad (3)$$

R_{OVP} should be set so that I_{LED} is within the allowable accuracy range (see Section 9.5).

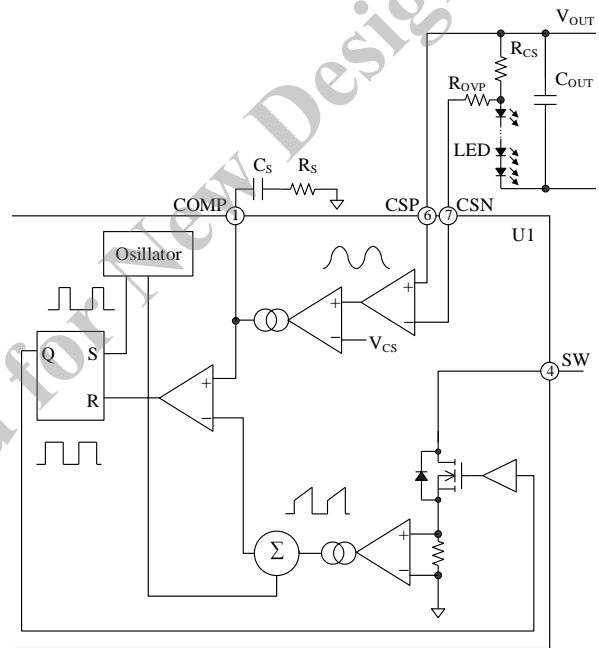


Figure 9-2 Control Circuit Diagram

9.2 LED Dimming

The IC supports analog dimming that inputs an analog signal (DC voltage) and digital dimming that inputs a PWM signal. Each dimming method is described below.

9.2.1 Analog Dimming

Figure 9-3 shows the DIM pin peripheral circuit when the analog dimming method is used. DIM pin voltage is determined by a resistor, R_{DIM} , connected to the DIM pin. Figure 9-4 shows the relationship between the DIM pin voltage and R_{DIM} . Figure 9-5 shows the relationship between the DIM pin voltage and the LED current, I_{LED} .

When the DIM pin voltage is 2 V or higher, the LED current becomes maximum, i.e., the LED dimming becomes to 100%. When a low-level signal (i.e., < $V_{DIM(OFF)}$ of 0.15 V) is input to the DIM pin from a

microcontroller port, the internal power MOSFET stops oscillating and the LED also turns off.

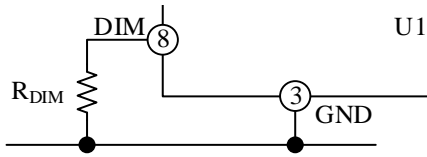


Figure 9-3 DIM Pin Peripheral Circuit

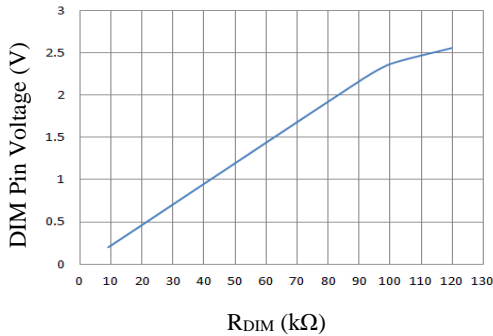


Figure 9-4 DIM Pin Voltage vs. R_{DIM}

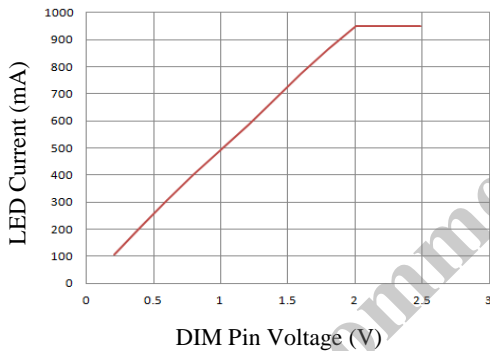
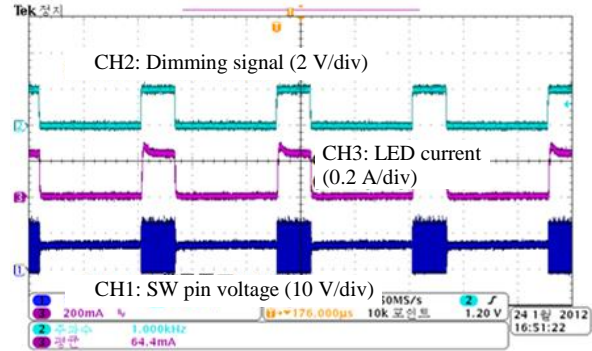


Figure 9-5 LED Current vs. DIM Pin Voltage

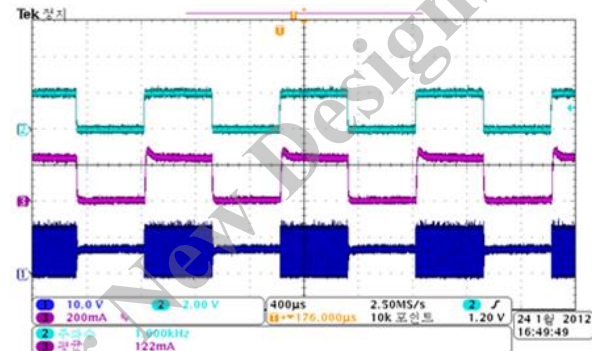
9.2.2 Digital Dimming

The digital dimming of the IC inputs the PWM signal between the DIM and the GND pins, resulting in controlling the current flowing to the LED by the duty of the PWM signal. The DIM pin input signal including surge voltage should be within the DIM pin absolute maximum rating of -0.3 V to 3.3 V.

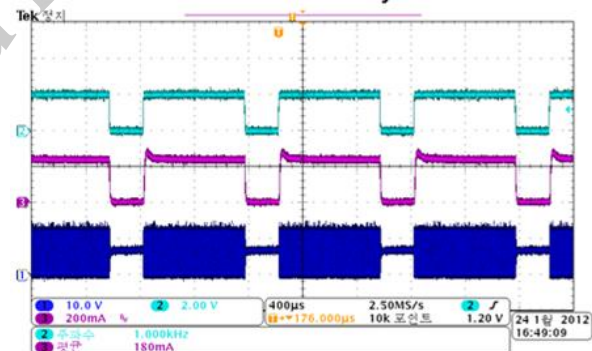
As shown in Figure 9-6, while the DIM pin is high level (i.e., $\geq V_{DIM(ON)}$ of 0.2 V), the internal power MOSFET oscillates and current flows to the LED. While the DIM pin is low level (i.e., $< V_{DIM(OFF)}$ of 0.15 V), the internal power MOSFET stops oscillating and the LED also turns off. When the duty cycle is 100%, the LED current becomes maximum, i.e., the LED dimming becomes to 100%.



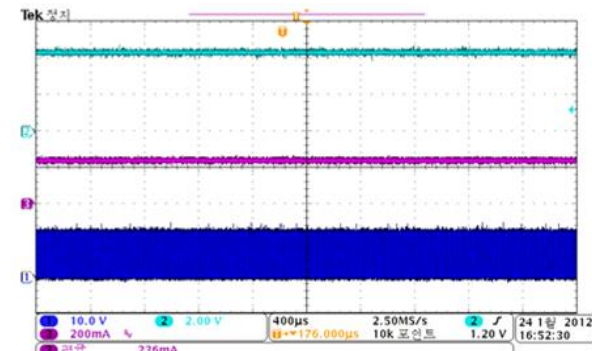
a) Duty Cycle 25%



b) Duty Cycle 50%



c) Duty Cycle 75%



d) Duty Cycle 100%

Figure 9-6 Actual Operation Example of PWM Digital Dimming (PWM frequency is 1 kHz, $R_{CS} = 0.41 \Omega$, $I_{LED} = 244$ mA)

9.3 LED On/Off Function

When a low level signal (i.e., $< V_{DIM(OFF)}$) of 0.15 V is input to the DIM pin from a microcontroller port, the internal power MOSFET stops oscillating and the LED turns off. To invert the logic, connect a transistor as shown in Figure 9-7.

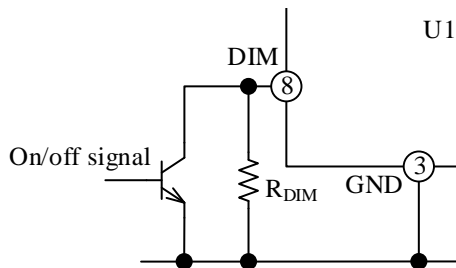


Figure 9-7 DIM Pin Peripheral Circuit

9.4 Overcurrent Protection (OCP)

The IC has Overcurrent Protection (OCP) that limits the current flowing into the SW pin (see Figure 9-8). When the current flowing into the SW pin increases to $I_{SW(LIM)} = 1.8$ A or more, the internal power MOSFET is turned off on a pulse-by-pulse basis. This protects the IC from an overcurrent flows due to a fault in constant current detection or an output short circuit.

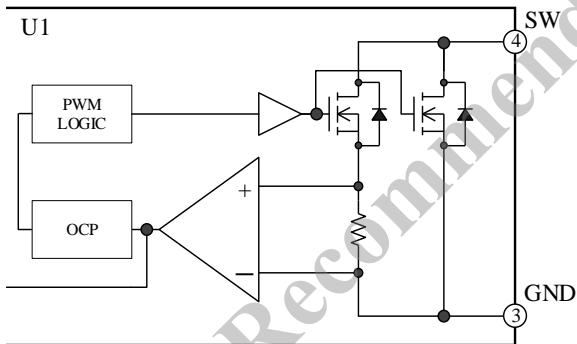


Figure 9-8 Overcurrent Protection Circuit

9.5 Overvoltage Protection (OVP)

If the LED suddenly turns to be open from the normal operation state, the voltage between the CSP and CSN pins rises rapidly, which may result in critical damage to the IC. In order to protect the IC from overvoltage between the CSP and CSN pins, connect a resistor, R_{OVP} , and a Zener diode, DZ_{OVP} , as shown in Figure 9-9.

When the LED is open and the voltage between the CSP and CSN pins exceeds the value of the equation (4) due to the flowing of the current, I_{DZ} , as shown in Figure 9-10, the Overvoltage Protection (OVP) operates and the IC stops oscillating. When the voltage between the CSP

and CSN pins falls below the value of Equation (4), the OVP automatically restarts the normal operation.

$$V_{OUT(OVP)} = V_{Z(OVP)} + V_{CS(OVP)} \quad (4)$$

$V_{OUT(OVP)}$ is the output voltage when LED is open

$V_{Z(OVP)}$ is the Zener voltage of DZ_{OVP}

$V_{CS(OVP)}$ is the OVP threshold voltage (150 mV)

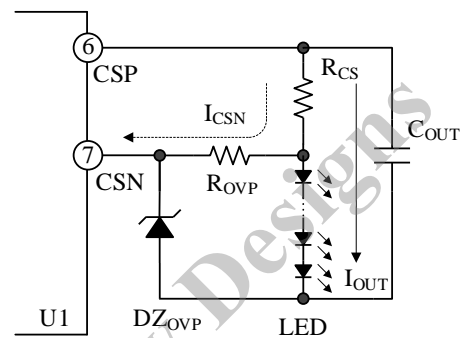


Figure 9-9 Normal Operation

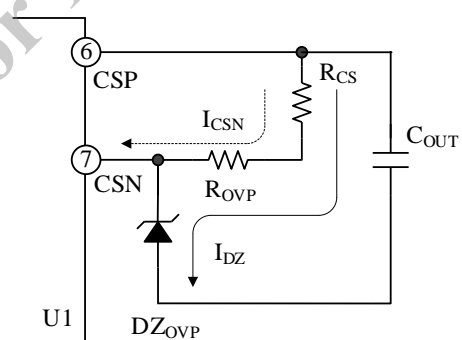


Figure 9-10 LED Open

Set a resistor, R_{OVP} , and a Zener diode, DZ_{OVP} , as follows:

- **R_{OVP}**

When the overvoltage protection operates, set the R_{OVP} resistance so that DZ_{OVP} is less than the allowable power dissipation and I_{LED} is within the allowable variation in your application.

When the power dissipation of DZ_{OVP} is P_{DZ} and the Zener voltage is V_{DZ} , the allowable current of the Zener diode, I_{DZ} , is in the range of the following equation.

$$I_{DZ} \leq \frac{P_{DZ}}{V_{DZ}} \quad (5)$$

The value of R_{OVP} for keeping DZ_{OVP} below the allowable power dissipation is in the range of the following equation.

$$R_{OVP} \geq \frac{V_{CS(OVP)}}{I_{DZ} + I_{CSN}} - R_{CS} \tag{6}$$

Where:

$V_{CS(OVP)}$ is the OVP threshold voltage (150 mV),
 I_{CSN} is the CSN pin input current, and
 R_{CS} is the LED current detection resistance.

In the equation (6), when $I_{CSN} \ll I_{DZ}$, the value of R_{OVP} is in the range of the following equation.

$$R_{OVP} \geq \frac{V_{CS(OVP)}}{I_{DZ}} - R_{CS} \tag{7}$$

Here is an example: when $V_{CS(OVP)} = 150$ mV, $I_{CSN} = 9.5$ μ A, $I_{DZ} = 5$ mA, and $R_{CS} = 0.33$ Ω , as $I_{CSN} \ll I_{DZ}$, $R_{OVP} = 29.67$ Ω (≈ 30 Ω) from the equation (7).

• **DZ_{OVP}**

Set the Zener voltage, V_{DZ} , to be higher than the maximum voltage that is applied to the LED string so that DZ_{OVP} does not conduct in normal operation.

9.6 LED Incorrect Connection Protection

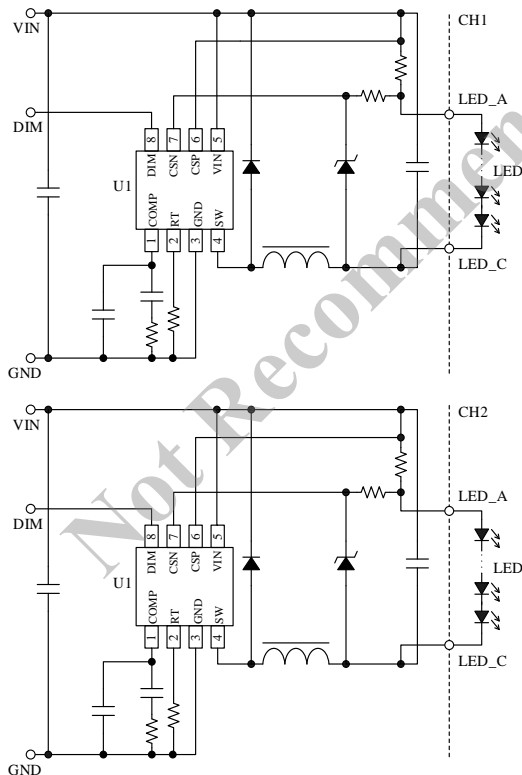


Figure 9-11 Correct Connection

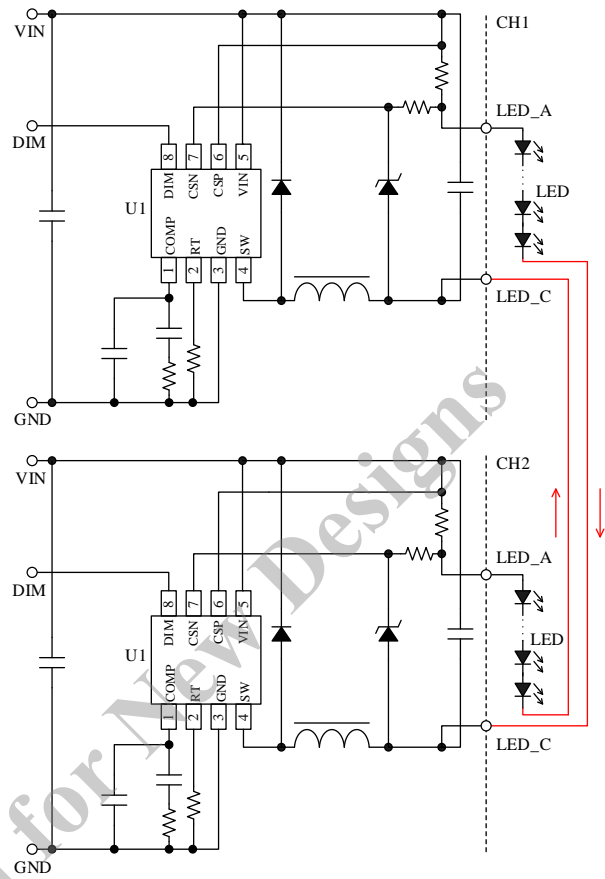


Figure 9-12 Incorrect Connection

For applications using multiple LC5710S and driving multiple LED strings, care should be taken in connecting the LED strings.

If the LED string is connected between the outputs of different ICs as shown in Figure 9-12, the overcurrent protection, the thermal shutdown, or the LED incorrect connection protection is activated, resulting in IC unstable operation.

The LED incorrect connection protection is a function that protects the IC when the LED string is incorrectly connected. If the state where the voltage between CSP and CSN pins, $V_{CS} < 5$ mV and COMP pin voltage, $V_{COMP} > 2.1$ V continues for the watchdog timer setting time, $t_{WDT} = 30$ ms, or longer, the LED incorrect connection protection is activated and the IC operates in intermittent oscillation. This suppresses the heat generation of the IC, preventing critical damage to the IC.

This function is a simple protection in case of incorrect connection. In actual application, connect the LED strings correctly as shown in Figure 9-11.

9.7 Thermal Shutdown

When the junction temperature of the IC increases to the thermal shutdown operation temperature, $T_{SD} = 165\text{ }^{\circ}\text{C}$, or more, the thermal shutdown (TSD) operates, and the IC stops the oscillation. TSD has the temperature hysteresis, $T_{SD_HYS} = 22\text{ }^{\circ}\text{C}$. When the junction temperature of the IC decreases to be $T_{SD} - T_{SD(HYS)}$ or lower, the TSD automatically restarts the normal operation.

9.8 Converter Type Selection

The converter type is determined by the input voltage, V_{IN} , and the total forward voltage drop of the connected LEDs (see Table 9-1).

Table 9-1 Input Voltage, V_{IN} vs. LED String Voltage

Buck	$V_{IN} > (n \times V_{FLED}) + V_{CS}$
Boost	$V_{IN} < (n \times V_{FLED}) + V_{CS}$
Buck-boost	$V_{IN}(\text{min.}) < (n \times V_{FLED}) + V_{CS} < V_{IN}(\text{max.})$

Where:

V_{FLED} is LED forward voltage drop (3.5 V for white LED for lighting),

n is the number of LEDs in series, and

V_{CS} is the current detection threshold voltage (100 mV).

Table 9-2 shows the number of lights in series of LED depending on the circuit type. The unsupported (—) in Table 9-2 corresponds to one of the following conditions, therefore, the operation is limited.

- The input voltage is less than 5 V
- $V_{IN(\text{MAX})}$ or $V_{SW(\text{MAX})}$ is higher than 48 V (80% of absolute maximum rating, 60 V)
- Duty cycle, D, is outside the range of $0.15 < D < 0.84$
- Inductor peak current, I_{LP} , is 1.4 A or more (SW pin limit current, $I_{SW(LIM)} = 1.4\text{ A}$ or more)

Table 9-2 Number of LEDs in Series

Conditions: V_{IN} (or V_{SW}) $\leq 48\text{ V}$ ($60\text{ V} \times 0.8$), $0.15 < D < 0.84$

Number of LEDs in Series	V_{OUT} / LED String Voltage (V)	V_{IN} Range (V)					
		Buck		Boost		Buck-boost	
		$I_{LED} = 1.0\text{ A}, \Delta I_L = 0.4\text{ A}$		$I_{LED} = 0.5\text{ A}, \Delta I_L = 0.4\text{ A}$		$I_{LED} = 0.5\text{ A}, \Delta I_L = 0.4\text{ A}$	
		Min.	Max.	Min.	Max.	Min.	Max.
1	3.6	5.00	24.00	—	—	5	20.4
2	7.1	8.45	47.33	5.00	6.04	5.1	39.9
3	10.6	12.62	48.00	5.00	9.01	7.6	37.4
4	14.1	16.79	48.00	6.60	11.99	10.1	33.9
5	17.6	20.95	48.00	8.30	14.96	12.7	30.4
6	21.1	25.12	48.00	9.90	17.94	15.1	26.9
7	24.6	29.29	48.00	11.60	20.91	17.6	23.4
8	28.1	33.45	48.00	13.20	23.89	—	—
9	31.6	37.62	48.00	14.90	26.86	—	—
10	35.1	41.79	48.00	16.50	29.84	—	—
11	38.6	45.95	48.00	18.20	32.81	—	—
12	42.1	—	—	19.80	35.79	—	—
13	45.6	—	—	21.50	38.76	—	—

— : unsupported

The graphs based on Table 9-2 are shown in Figure 9-13 to Figure 9-15. The values in the graphs are reference. In actual operation, when a large surge occurs on the SW pin or the IC is operating at high temperature, reduce the number of LEDs or the LED current, I_{LED} . Use the IC within the range of the thermal derating curve in Figure 10-1.

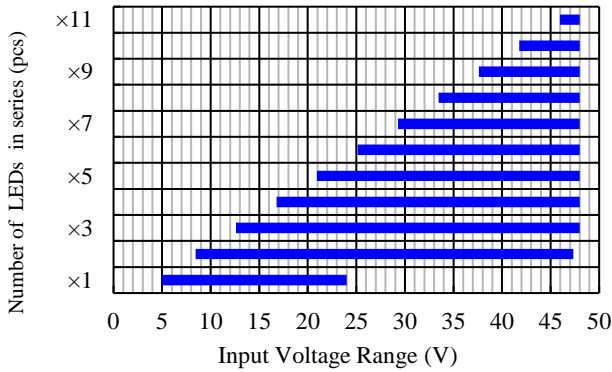


Figure 9-13 Number of LEDs in Series vs. Input Voltage Range (Buck)

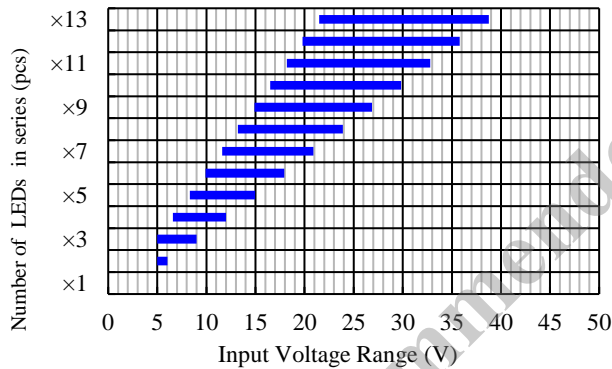


Figure 9-14 Number of LEDs in Series vs. Input Voltage Range (Boost)

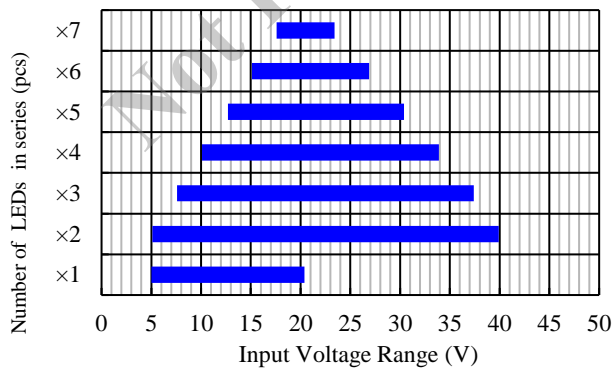


Figure 9-15 Number of LEDs in Series vs. Input Voltage Range (Buck-boost)

9.9 External Inductor Setting

The definitions of the symbols used in this section are as follows:

- V_{OUT} is output voltage,
- I_L is inductor current,
- ΔI_L is inductor ripple current,
- I_{LED} is LED current, and
- f_{OSC} is oscillation frequency.

When using the IC, set the inductance value so that the inductance current is in the continuous current mode (CCM: Continuous Conduction Mode).

The IC supports buck converter, boost converter, and buck-boost converter. Table 9-3 shows the equation of the inductance in each circuit type.

Duty cycle, D , is set within the range of the following equation.

$$t_{ON(MIN)} \times f_{OSC} < D < D_{MAX} \tag{8}$$

$$0.15 < D < 0.84 \tag{9}$$

V_{OUT} is calculated by the following equation.

$$V_{OUT} = n \times V_{FLED} + V_{CS} \tag{10}$$

Where:

- V_{FLED} is LED forward voltage drop (about 3.5 V for white LED for lighting),
- n is the number of LEDs in series, and
- V_{CS} is current detection threshold voltage (100 mV).

Table 9-3 Inductance Calculation

Parameter	Buck	Boost	Buck-boost
SW Pin Voltage, V_{SW}	V_{IN}	V_{OUT}	$V_{IN} + V_{OUT}$
Duty Cycle, D	$\frac{V_{OUT}}{V_{IN}}$	$\frac{V_{OUT} - V_{IN}}{V_{OUT}}$	$\frac{V_{OUT}}{V_{IN} + V_{OUT}}$
Inductor Average Current, $I_{L(AVG)}$	I_{LED}	$\frac{I_{LED}}{1 - D}$	$\frac{I_{LED}}{1 - D}$
Inductor Peak Current, I_{LP}	$I_{LED} + \frac{\Delta I_L}{2}$	$\frac{I_{LED}}{1 - D} + \frac{\Delta I_L}{2}$	$\frac{I_{LED}}{1 - D} + \frac{\Delta I_L}{2}$
Inductance, L	$\frac{V_{OUT} \times (1 - D)}{\Delta I_L \times f_{OSC}}$	$\frac{V_{IN} \times D}{\Delta I_L \times f_{OSC}}$	$\frac{V_{IN} \times D}{\Delta I_L \times f_{OSC}}$

In the buck converter, the drain current, I_D , flowing through the SW pin is equal to I_{LED} . In the boost and buck-boost converters, when $D = 0.5$ and the inductor ripple current, ΔI_L , is the same, I_D twice that of the buck converter flows to the SW pin.

The maximum ΔI_L is 0.4 A. Set the inductor peak current, I_{LP} , to less than 1.4 A (lower limit of $I_{SW(LIM)}$) so that the overcurrent protection does not operate.

Therefore, the maximum current that can be supplied to the LED is as follows.

- Buck: 1.0 A
- Boost and Buck-boost: 0.5 A

Note that the IC should be used within the thermal derating curve in Figure 10-1.

Figure 9-16 to Figure 9-18 show graphs of inductance L and ripple current, ΔI_L . The inductance L and ripple current, ΔI_L are calculated under the condition that V_F of the white LED for lighting is 3.5 V and 5 lights ($V_{OUT} = 17.6 V$) are connected in series.

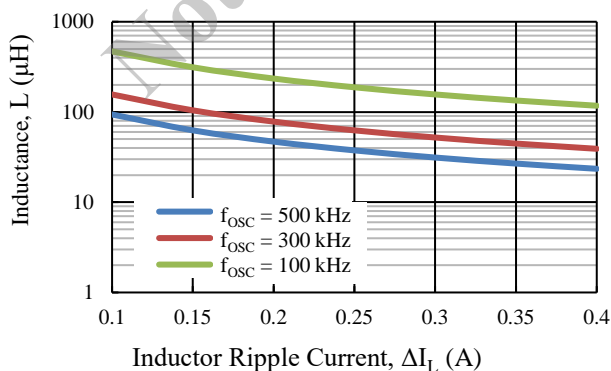


Figure 9-16 Buck Converter Inductance Calculation Example ($V_{OUT} = 17.6 V, V_{IN} = 24 V$)

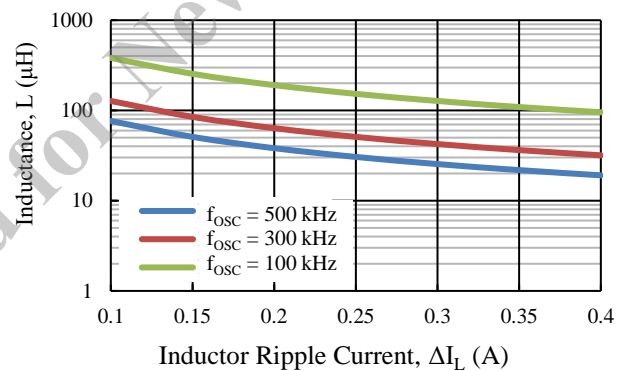


Figure 9-17 Boost Converter Inductance Calculation Example ($V_{OUT} = 17.6 V, V_{IN} = 12 V$)

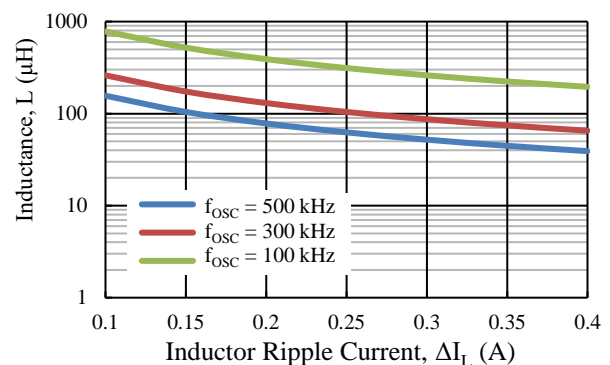


Figure 9-18 Buck-boost Converter Inductance Calculation Example ($V_{OUT} = 17.6 V, V_{IN} = V_{OUT} \pm 20\%$)

When ΔI_L is decreased, the required inductance, L , is increased. Compared with inductors with the same physical dimensions, inductors with a larger L value tend to have a smaller allowable current, I_{DZ} . When the L value is large and the allowable current I_{DZ} is also large, an inductor with a large physical dimension is required.

In general, the value of ΔI_L is set to about 20% to 30% of the output current.

$$\Delta I_L = I_{OUT} \times 0.2 \text{ to } 0.3 \tag{11}$$

9.10 Calculation of Power Dissipation, P_D

Power dissipation, P_D , is calculated by the following equation.

$$P_D = P_{COUT} + P_{SW} + P_{ON} \tag{12}$$

Where:

- P_{CONT} is internal control circuit loss,
- P_{SW} is switching loss of internal power MOSFET, and
- P_{ON} is on-resistance loss of internal power MOSFET.

The calculation for each loss is as follows.

9.10.1 Control Circuit Loss, P_{CONT}

The control circuit loss, P_{CONT} , depends on the input voltage and the frequency. P_{CONT} includes the loss of circuit current inside the IC and the drive loss of the power MOSFET inside the IC. The value of P_{CONT} is read from Figure 9-19.

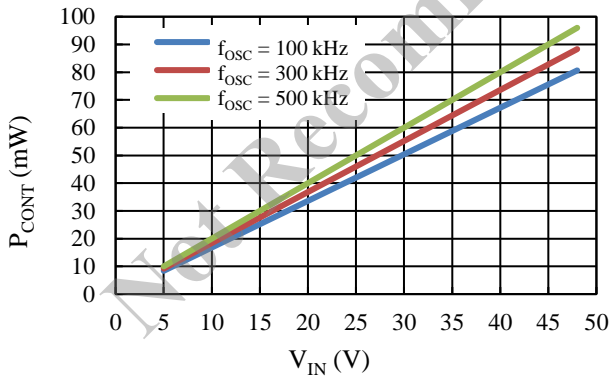


Figure 9-19 Control Circuit Loss, P_{CONT}

9.10.2 Switching Time of Power MOSFET

Figure 9-20 shows the switching time, t_{sw} , of the internal power MOSFET. t_{sw} is defined, provided that the turn-on time, t_r , and the turn-off time, t_f , are the same value. Figure 9-20 shows the relationship between the SW pin voltage and t_{sw} , assuming that there is almost no effect of parasitic inductance on the main circuit.

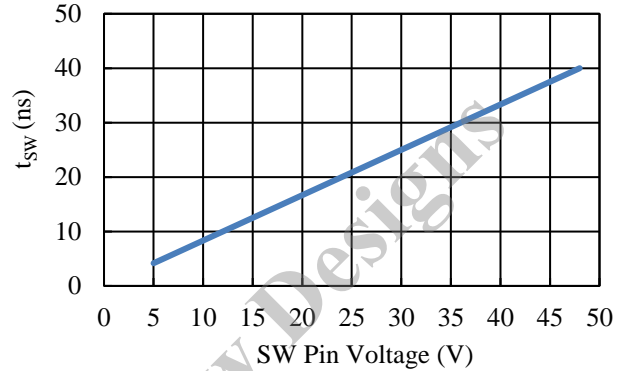


Figure 9-20 Relationship between SW Pin Voltage and Internal Power MOSFET Switching Time, t_{sw}

The internal power MOSFET is connected to the main circuit of the voltage converter. When the impedance of the main circuit pattern that the switching current flows through is high or the parasitic inductance is included, the switching time may be different from that of Figure 9-20.

9.10.3 Switching Loss, P_{SW} of Power MOSFET

Switching loss, P_{SW}, in the power MOSFET can be calculated by the following equation.

$$t_{ON} = \frac{1}{f_{OSC}} \times D$$

D is duty cycle (see Table 9-3).
f_{OSC} is switching frequency (Hz).

• **Buck**

$$P_{SW} = 2 \times (V_{IN} \times \frac{I_{LED}}{2} \times t_{SW} \times f_{OSC}) \quad (13)$$

• **Boost**

$$P_{SW} = 2 \times (V_{OUT} \times \frac{I_{L(AVG)}}{2} \times t_{SW} \times f_{OSC}) \quad (14)$$

• **Buck-boost**

$$P_{SW} = 2 \times \left\{ (V_{IN} + V_{OUT}) \times \frac{I_{L(AVG)}}{2} \times t_{SW} \times f_{OSC} \right\} \quad (15)$$

Where:

V_{IN} is input voltage (V),
V_{OUT} is output voltage (V),
I_{LED} is LED current (A),
I_{L(AVG)} is inductor average current (A),
t_{SW} is switching time of power MOSFET (s), and
f_{OSC} is switching frequency (Hz).

t_{SW} is the value read from Figure 9-20 or measured.

9.10.4 On-resistance Loss, P_{ON}, of Power MOSFET

On-resistance loss, P_{ON}, of power MOSFET is calculated by the following equation.

• **Buck**

$$P_{ON} = R_{ON} \times I_{LED}^2 \times t_{ON} \times f_{OSC} \quad (16)$$

• **Boost and Buck-boost**

$$P_{ON} = R_{ON} \times I_{L(AVG)}^2 \times t_{ON} \times f_{OSC} \quad (17)$$

Where:

R_{ON} is on-resistance of power MOSFET (Ω),
I_{LED} is LED current (A),
I_{L(AVG)} is inductor average current (A), and
t_{ON} is on-time of power MOSFET (s).

10. Design Notes

10.1 Thermal Derating Curve

Figure 10-1 shows the IC derating curve when mounting on the board described in Section 11. When using the IC, ensure enough margins. Thermal derating is calculated at $T_J = 125\text{ }^\circ\text{C}$, $\theta_{J-A} = 82.8\text{ }^\circ\text{C/W}$.

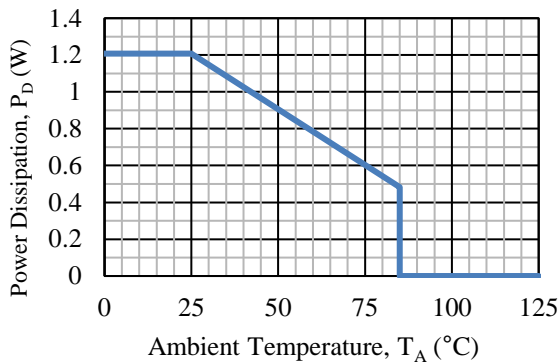


Figure 10-1 Thermal Derating Curve

Allowable power dissipation, P_D , is calculated by the following equation.

$$P_D = \frac{(T_J - T_A)}{\theta_{J-A}} \tag{18}$$

Where:

T_J is junction temperature ($125\text{ }^\circ\text{C}$),

T_A is ambient temperature, and

θ_{J-A} is junction-to-ambient thermal resistance ($82.8\text{ }^\circ\text{C/W}$).

When $T_A = 25\text{ }^\circ\text{C}$, P_D is 1.2077 W.

10.2 External Components

Components fit for the use condition should be used.

10.2.1 Inductor (L1)

Inductor (L1) is a choke coil for LED current smoothing.

The larger the inductance is, the smaller the ripple current, ΔI_L , is. The smaller the inductance is, the larger the ripple current, ΔI_L , is. Reducing ΔI_L reduces LED heat generation due to changes in ΔI_L .

The inductance must be set to prevent the inductor from being magnetically saturated even during overload or short-circuit load condition.

10.2.2 Diode (Ds)

Select a Schottky diode or ultra-fast recovery diode for a freewheeling or boosting diode.

When a diode with a long reverse recovery time, t_{rr} , is selected, a large surge current flows through the power MOSFET in turn-on of the power MOSFET, which causes increased noise, malfunction, and decreased efficiency.

10.2.3 Current Detection Resistor (Rcs)

A high frequency switching current flows through R_{CS} ; therefore, malfunctions may be caused if a resistor with a high internal inductance is used. The resistor with low internal inductance and high surge capability must be selected.

10.2.4 Input Capacitor (CIN)

Input capacitor, C_{IN} , is a capacitor for smoothing the main supply circuit. The larger the capacitance of C_{IN} is, the smaller the ripple voltage is. The larger the output power is, the larger the ripple voltage is. Select C_{IN} according to the output power.

10.2.5 Output Capacitor (COUT)

According to the ripple current, ΔI_L , allowed by the LED string, determine whether C_{OUT} is necessary, and if necessary, determine the capacitance of C_{OUT} .

When the allowable range of ΔI_L is large, reduce the capacitance of C_{OUT} or remove C_{OUT} .

When the allowable range of ΔI_L is small, connect C_{OUT} in parallel with the LED string.

When the LED string is far from the output pin, connect C_{OUT} in parallel with the LED string to reduce ΔI_L and ripple voltage.

10.2.6 Phase Compensation Circuit (Rs, Cs, Cp)

R_S , C_S , and C_P are components for phase compensation connected to the COMP pin. In order to prevent malfunction due to noise, these components should be connected between the COMP and GND pins with a minimal length of traces.

10.2.7 Frequency Setting Resistor (RRT)

Set the oscillation frequency (100 kHz to 500 kHz) with R_{RT} . To avoid malfunctions, be sure to connect R_{RT} between the RT and GND pins with a minimal length of traces.

10.3 Phase Compensation (COMP Pin)

To operate the IC stably, ensure enough phase margins. The phase margin is determined by the resistor and the capacitors connected to the COMP pin (i.e., R_S , C_S , and C_P).

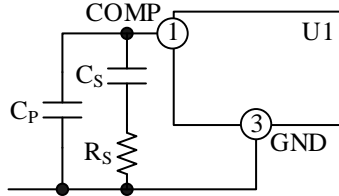


Figure 10-2 COMP Pin Peripheral Circuit

1) Setting of Target Crossover Frequency, f_C

A crossover frequency, f_C , is the frequency when the gain becomes 0 dB (1 time). The higher f_C , the faster the response to load fluctuation, but the operation tends to become unstable due to the influences of ripple and noise. In order to operate the IC stably, set the frequency so that f_C is within the range of the following equation.

• Buck

$$f_C \leq \frac{f_{osc}}{50} \quad (19)$$

Where:

f_{osc} is switching frequency (Hz).

• Boost

$$f_C \leq \frac{f_{Z2}}{50} \quad (20)$$

$$f_{Z2} = \frac{R_{LED} \times (1 - D)^2}{2\pi \times L} \quad (21)$$

$$R_{LED} = \frac{V_{OUT}}{I_{LED}} \quad (22)$$

Where:

f_{Z2} is zero frequency (Hz),

R_{LED} is the resistance when the LED is regarded as a resistive load (Ω),

L is inductance (H),

D is duty cycle,

V_{OUT} is output voltage (V), and

I_{LED} is LED current (A).

• Buck-boost

When $D \geq 0.5$, f_C is calculated by the equation of boost.

When $D < 0.5$, f_C is calculated by the equation of buck.

If the operation is unstable, set a lower value of f_C .

2) Setting of R_S

R_S is a resistor for phase compensation, which is calculated by the following equation.

$$R_S = \frac{2\pi \times C_{OUT} \times f_C \times V_{OUT}}{K} \quad (23)$$

Where:

C_{OUT} is the output capacitance (F),

f_C is the crossover frequency set above (Hz),

V_{OUT} is output voltage (V), and

K is the constant of the IC (2.497×10^{-4}).

In buck converter, when $f_C = 10$ kHz, $C_{OUT} = 1$ μ F, and $V_{OUT} = 3.6$ V, R_S is as follows:

$$R_S = \frac{2\pi \times 1 \mu\text{F} \times 10 \text{ kHz} \times 3.6 \text{ V}}{2.497 \times 10^{-4}} \approx 0.91 \text{ k}\Omega$$

3) Setting of C_S

C_S is a capacitor for phase compensation. A pole frequency, f_{P1} , and zero frequency, f_{Z1} , are determined by C_S . To ensure enough phase margin (60 deg. or more), f_{Z1} should be set to about a quarter of f_C .

C_S is calculated by the following equation.

$$C_S = \frac{4}{2\pi \times R_S \times f_C} \quad (24)$$

In buck converter, when $f_C = 10$ kHz and $R_S = 0.91$ k Ω , C_S is as follows:

$$C_S = \frac{4}{2\pi \times 0.91 \text{ k}\Omega \times 10 \text{ kHz}} \approx 70.3 \text{ nF}$$

4) Setting of C_P

No C_P is required when a ceramic capacitor is used for an output capacitor.

When an aluminum electrolytic capacitor is used for the output capacitor, if ESR is in the range of Equation (25), C_P must be added to offset the effect of zero frequency, f_{Z2} , generated by ESR. In the control using the peak current control method, f_{Z2} makes f_C higher than necessary, which may cause malfunction of the IC. Therefore, to offset the influence of f_{Z2} , add C_P to configure a new pole frequency, f_{P3} .

$$ESR > \frac{1}{2\pi \times f_c \times C_{OUT}} \quad (25)$$

C_P is calculated by the following equation.

$$C_P = \frac{C_{OUT} \times ESR}{R_S} \quad (26)$$

10.4 PCB Layout

The switching power supply circuit includes high frequency and high voltage current paths that affect the IC operation, noise interference, and power dissipation. Therefore, PCB trace layouts and component placements play an important role in circuit designing. Thus, to reduce the impedance of the high frequency traces on a PCB (see Figure 10-3), they should be designed as wide trace and small loop as possible.

Care should be taken in thermal design because the power MOSFET has a positive thermal coefficient of $R_{DS(ON)}$.

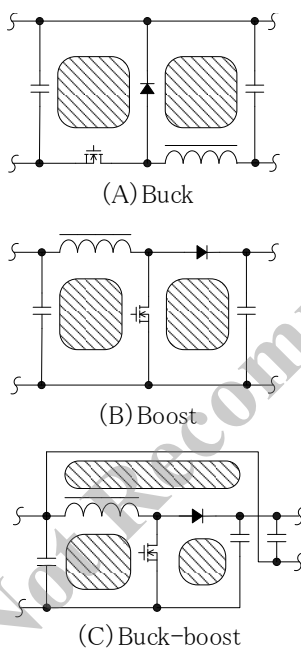


Figure 10-3 High-frequency Current Loops (Hatched Area)

Figure 10-4 to Figure 10-6 are peripheral circuit examples of the IC.

- 1) Main Circuit Trace Layout
The switching current flows through these main circuit traces. Therefore, these traces should be as wide and short as possible.
- 2) Logic Ground Trace Layout
If a large current flows through a logic ground, electric potential across the logic ground may vary and thus cause the IC to malfunction. Logic ground traces should be designed as close as possible to the GND pin, at a single-point ground (or star ground) that is separated from the main circuit. Therefore, it is recommended to separate the dimming signal ground traces from the main circuit trace.
- 3) R_{CS} Trace Layout
In order to reduce noise at current detection, R_{OVP} must be separated, and be connected between the CSP and CSN pins with a minimal length of traces. When the noise between the CSP and CSN pins is large, connect a filter capacitor, C_f (see Section 6).
- 4) COMP Pin Peripheral Circuit
The phase compensation circuit components (R_S , C_S , C_P) should be connected between the COMP and GND pins with a minimal length of traces.
- 5) RT Pin Peripheral Circuit
Frequency setting resistor, R_{RT} , should be connected between the RT and GND pins with a minimal length of traces.
- 6) C_{OUT} is placed close to the LED string.

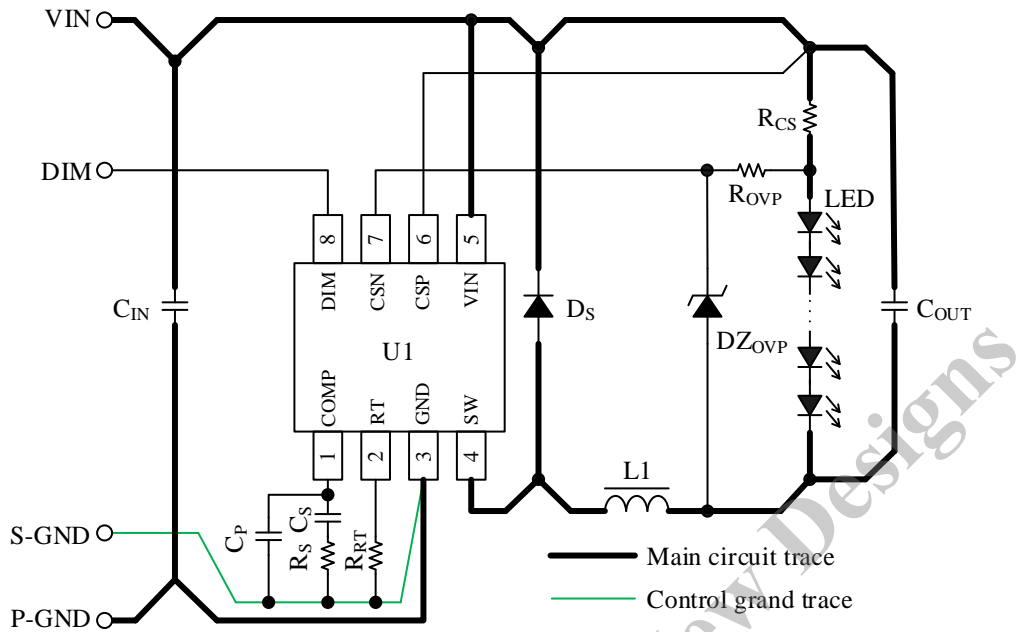


Figure 10-4 Peripheral Circuit Example around the IC: Buck

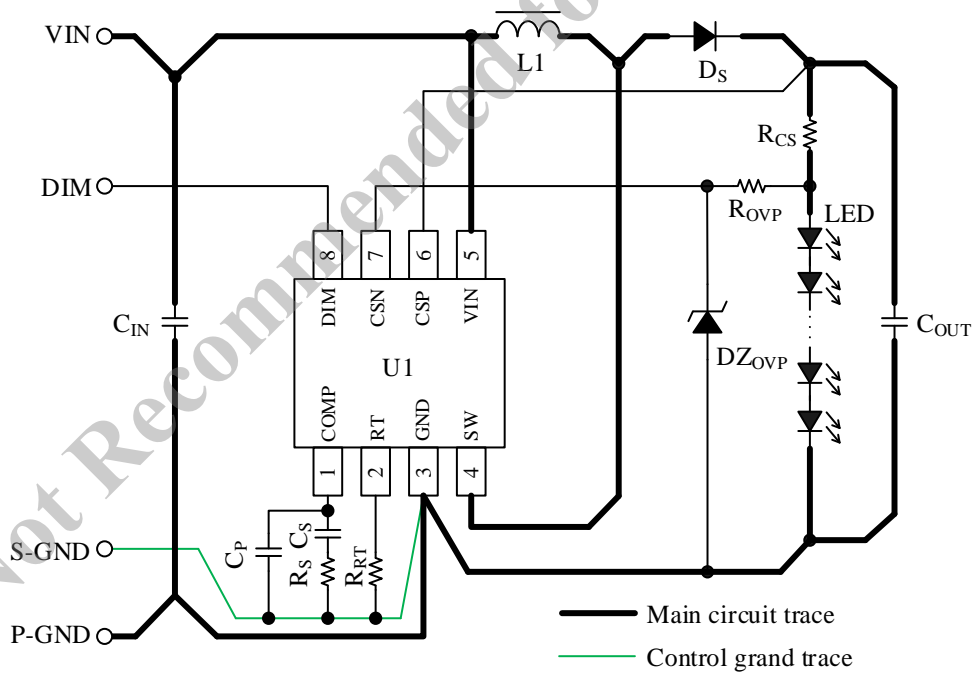


Figure 10-5 Peripheral Circuit Example around the IC: Boost

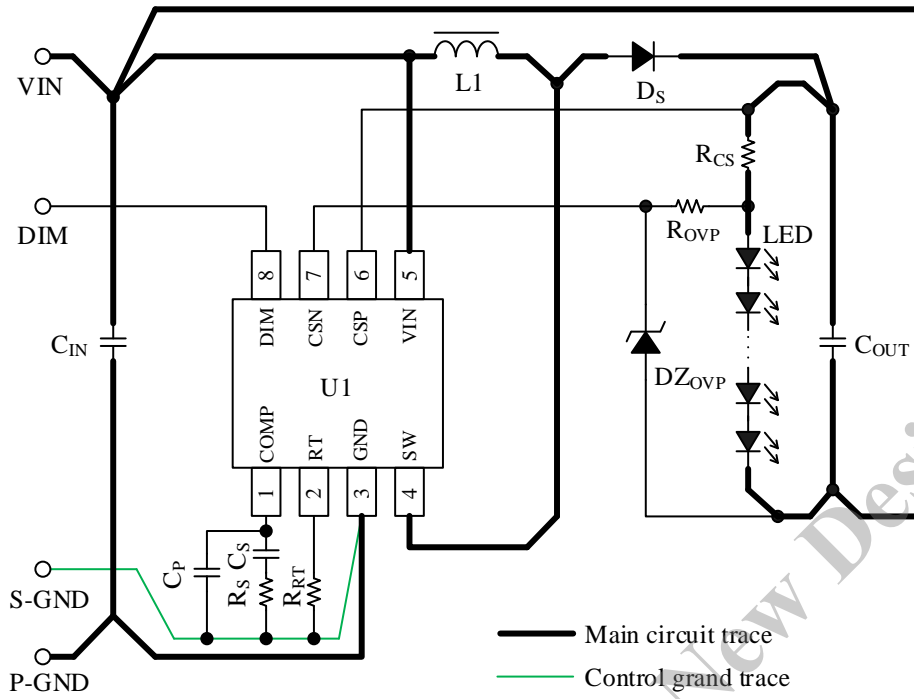


Figure 10-6 Peripheral Circuit Example around the IC: Buck-boost

Not Recommended for New Designs

11. Pattern Layout Example

This section contains the schematic diagrams of a PCB pattern layout example using the LC5710S. Note that the pattern layout example only uses the parts illustrated in the circuit diagram below. For details on the land pattern example of the IC, see Section 7.

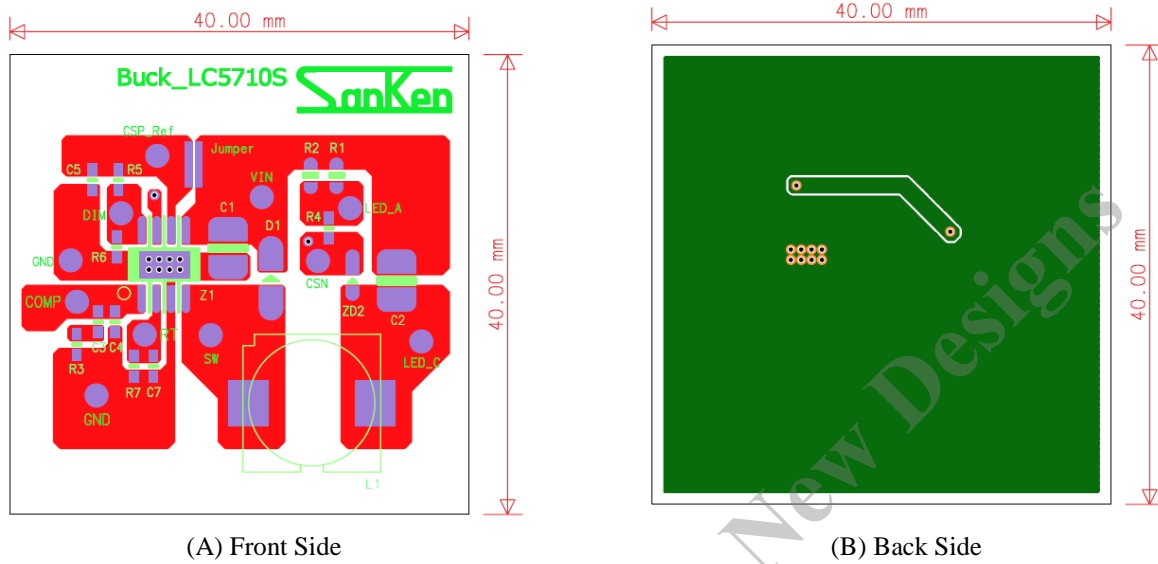


Figure 11-1 Pattern Layout Example for Buck Converter

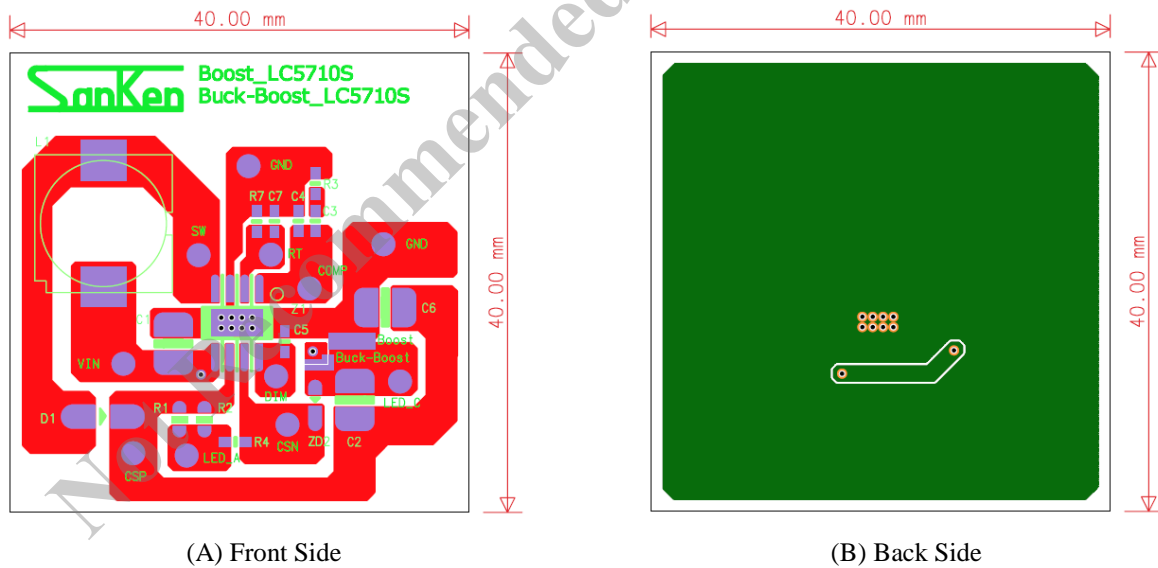
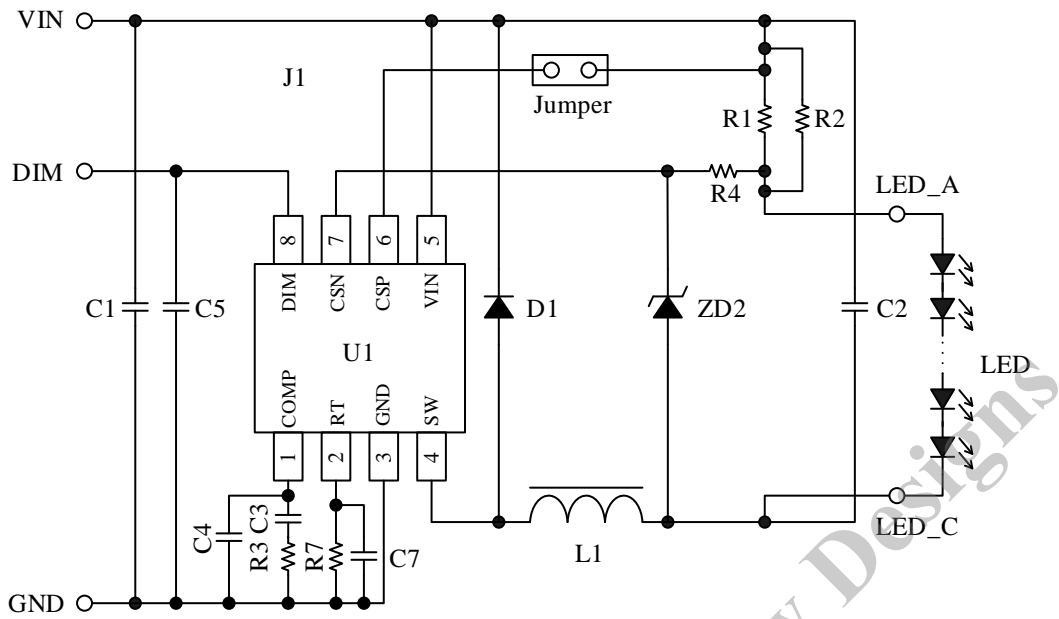
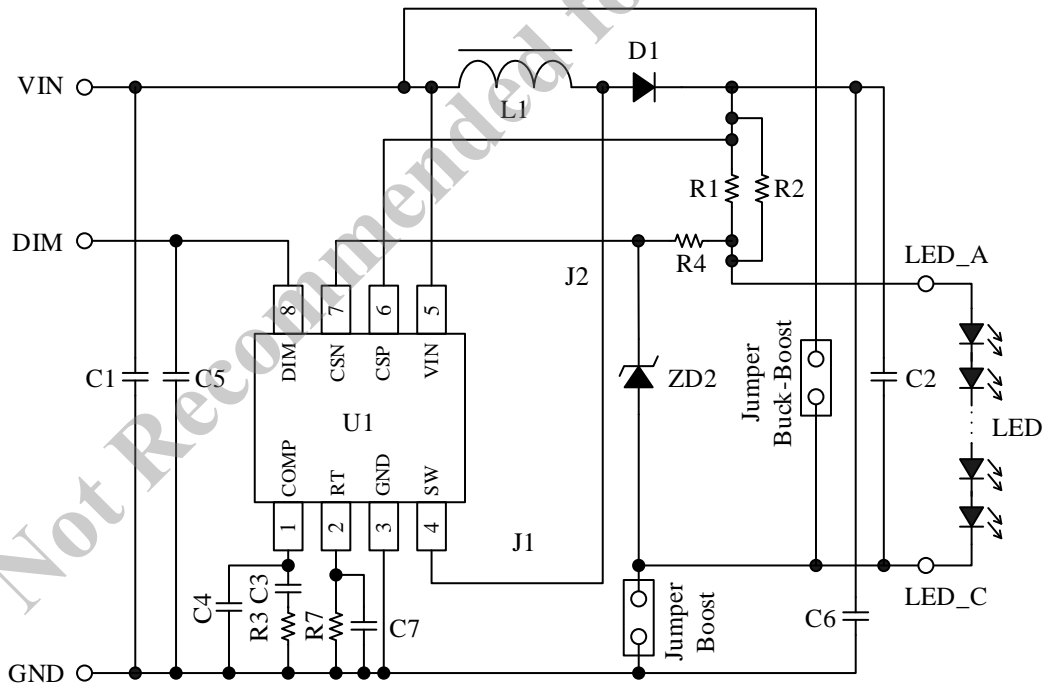


Figure 11-2 Pattern Layout Example for Boost and Buck-boost Converters



R5 and R6 are open, and J1 is inserted.

Figure 11-3 Pattern Layout Example for Buck Converter



In boost converter, J2 is open and J1 is inserted.
 In buck-boost converter, J1 is open and J2 is inserted.

Figure 11 Pattern Layout Example for Boost and Buck-boost Converters

12. Typical Characteristics

Unless otherwise specified, $T_A = 25\text{ }^\circ\text{C}$.

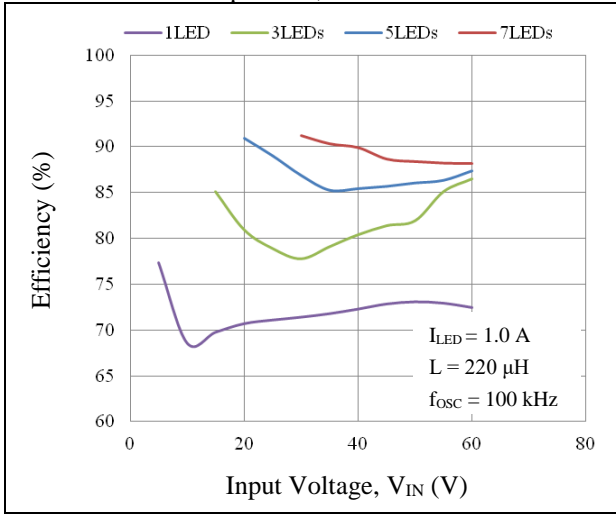


Figure 12-1 Efficiency (Buck)

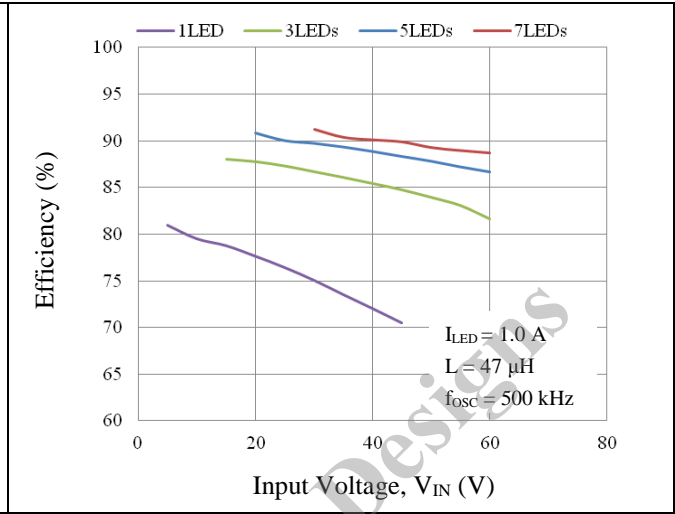


Figure 12-2 Efficiency (Buck)

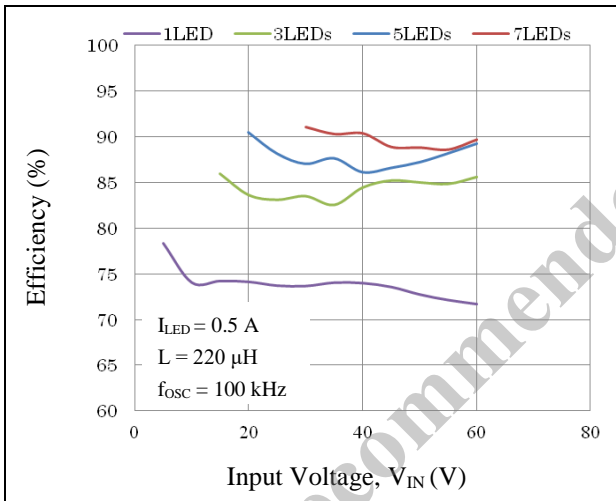


Figure 12-3 Efficiency (Buck)

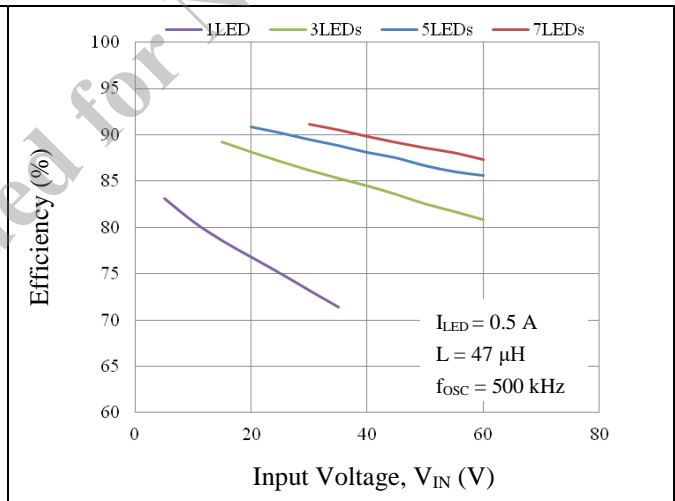


Figure 12-4 Efficiency (Buck)

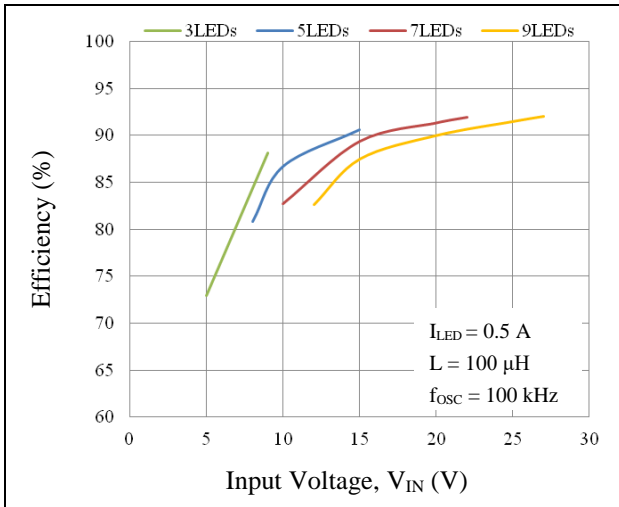


Figure 12-5 Efficiency (Boost)

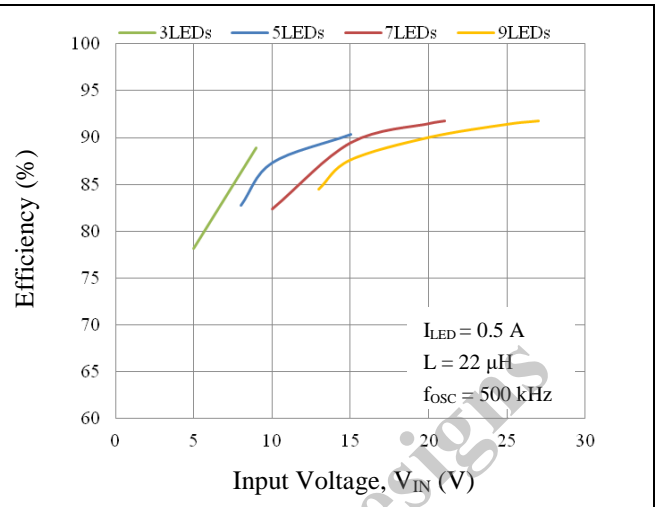


Figure 12-6 Efficiency (Boost)

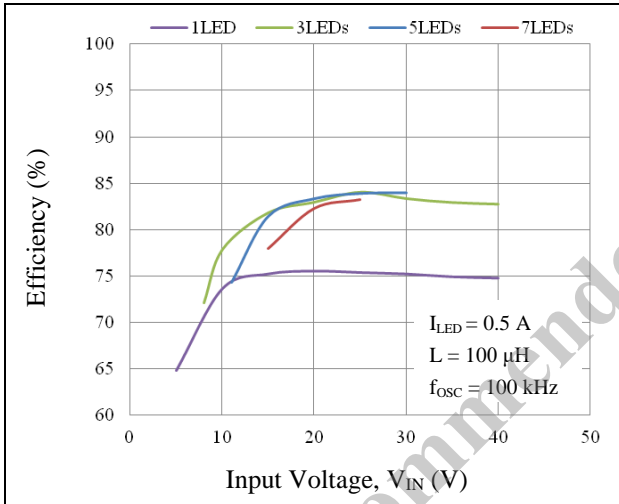


Figure 12-7 Efficiency (Buck-boost)

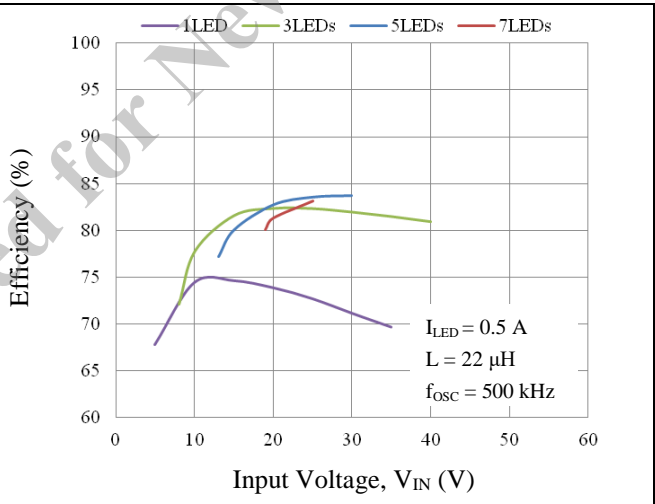


Figure 12-8 Efficiency (Buck-boost)

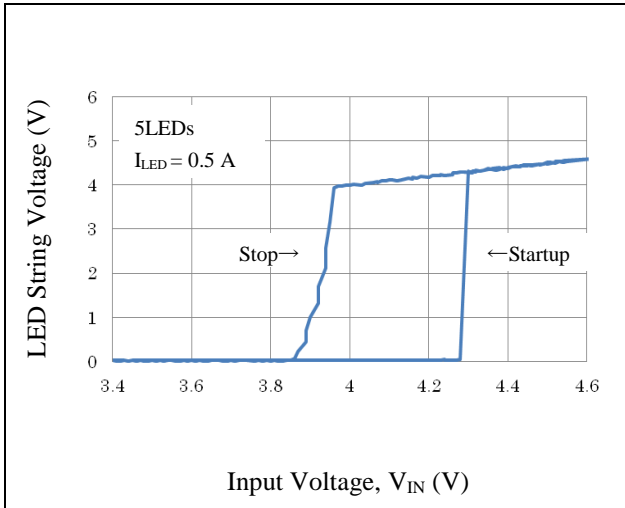


Figure 12-9 Undervoltage Lockout (Boost)

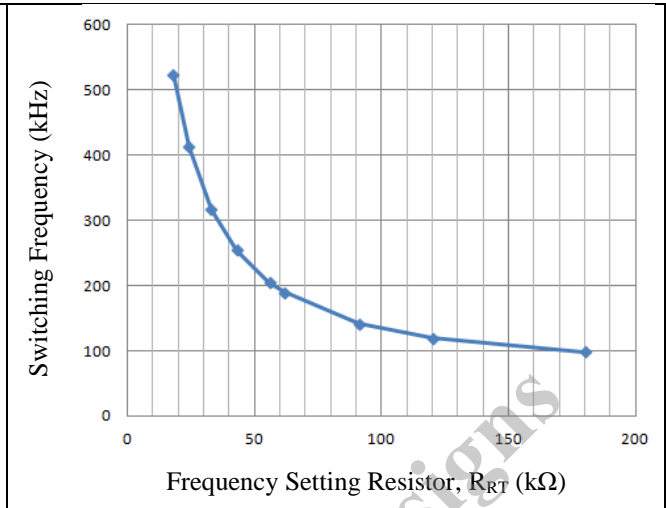


Figure 12-10 Switching Frequency Characteristics

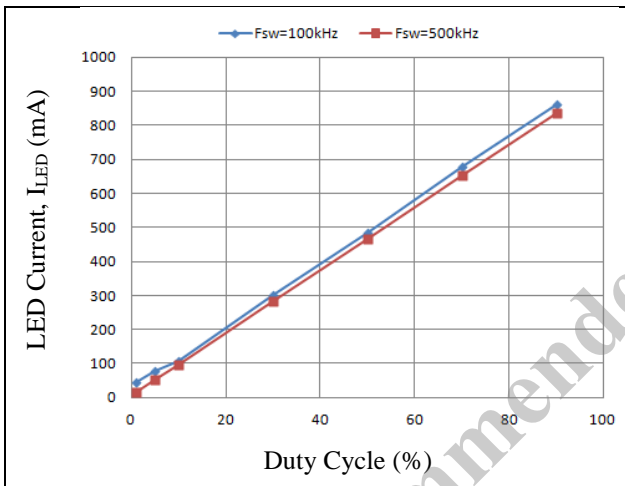


Figure 12-11 PWM Digital Dimming Characteristics
(Dimming Frequency = 1 kHz)

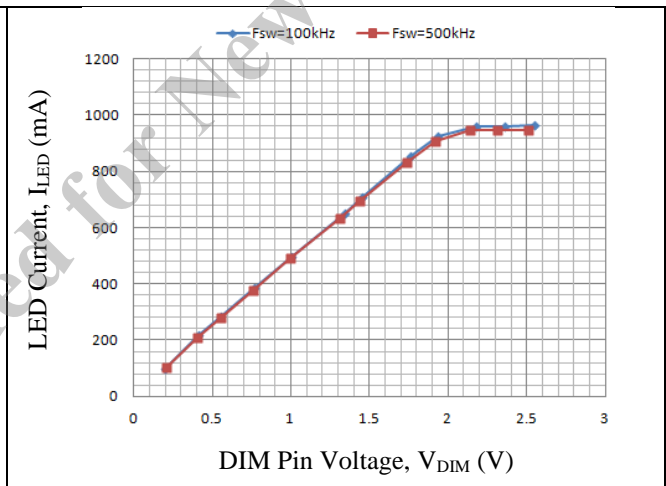


Figure 12-12 Analog Dimming Characteristics

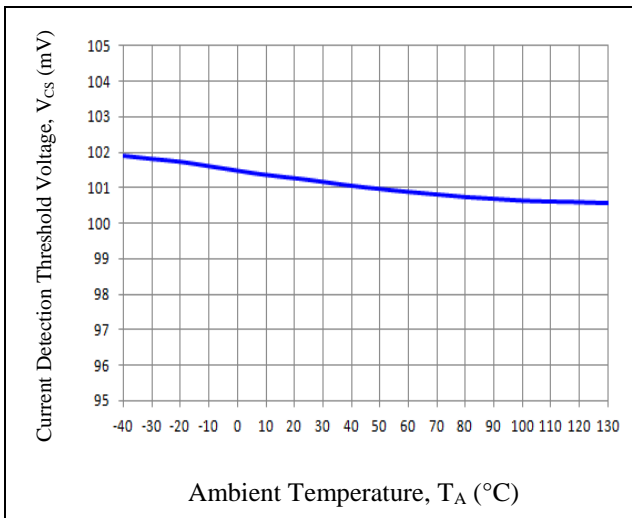


Figure 12-13 V_{CS} vs. T_A

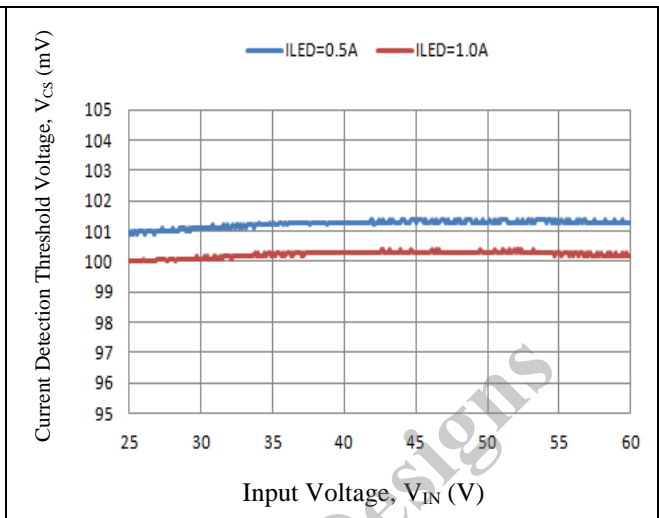


Figure 12-14 V_{CS} vs. V_{IN}
(Number of LEDs in series is 5)

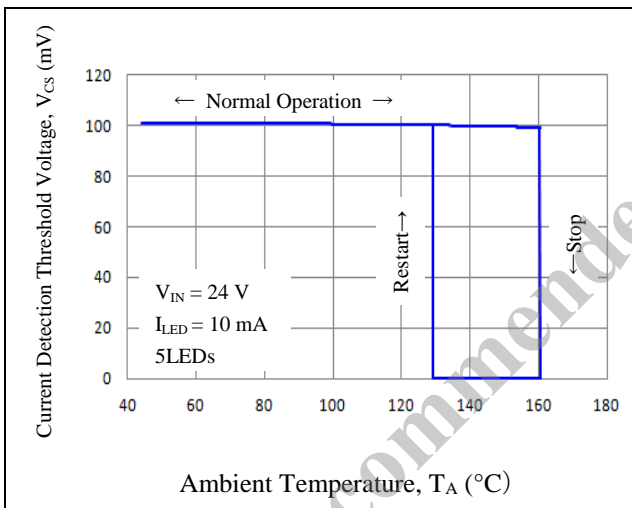


Figure 12-15 Thermal Shutdown

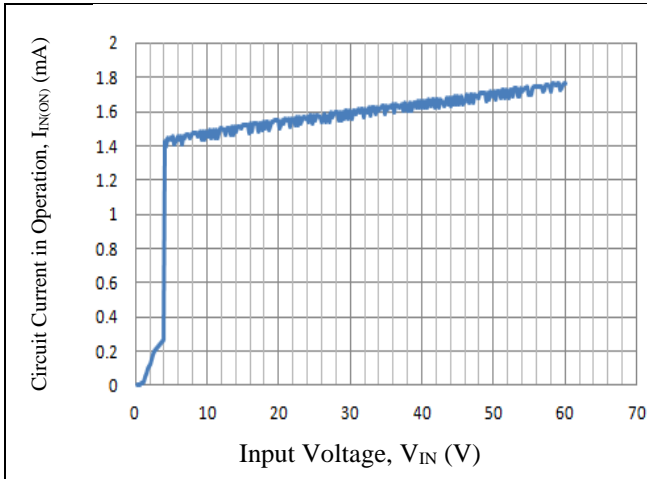


Figure 12-16 $I_{IN(ON)}$ vs. V_{IN} ($R_{DIM} = 120\text{ k}\Omega$)

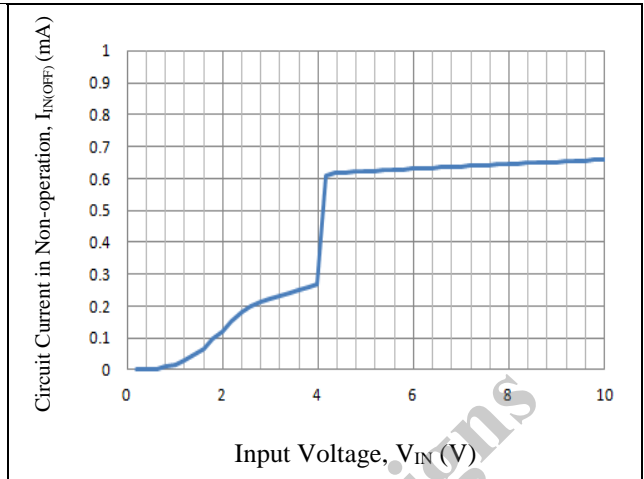


Figure 12-17 $I_{IN(OFF)}$ vs. V_{IN} ($V_{DIM} = 0\text{ V}$)

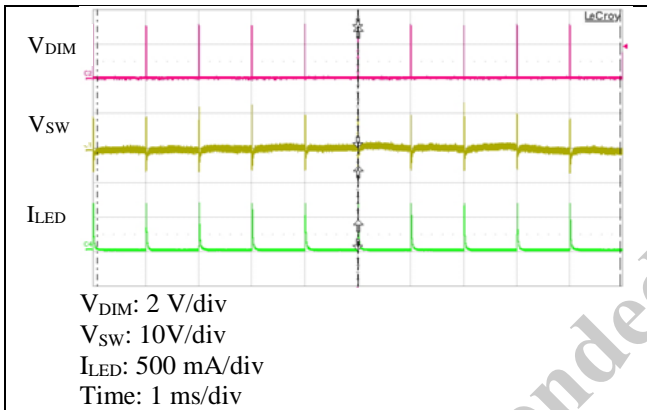


Figure 12-18 Waveforms at Digital Dimming (1 kHz, duty cycle 5%)

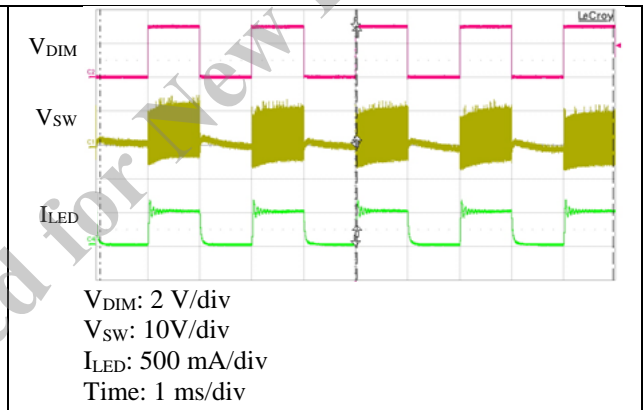


Figure 12-19 Waveforms at Digital Dimming (1 kHz, duty cycle 50%)

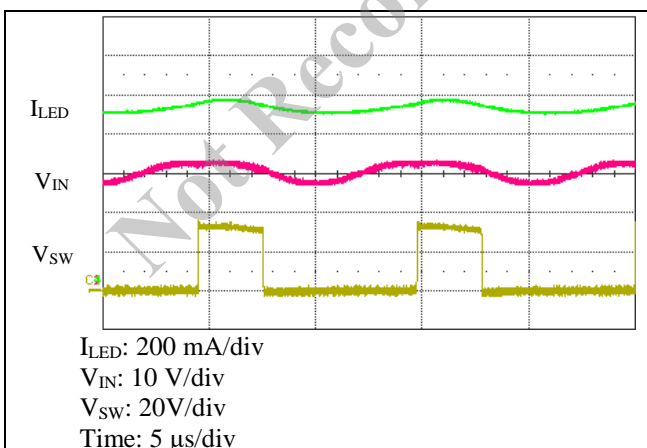


Figure 12-20 Normal Oscillation Waveforms (Buck, $V_{IN} = 30\text{ V}$, 5LEDs, $f_{OSC} = 100\text{ kHz}$)

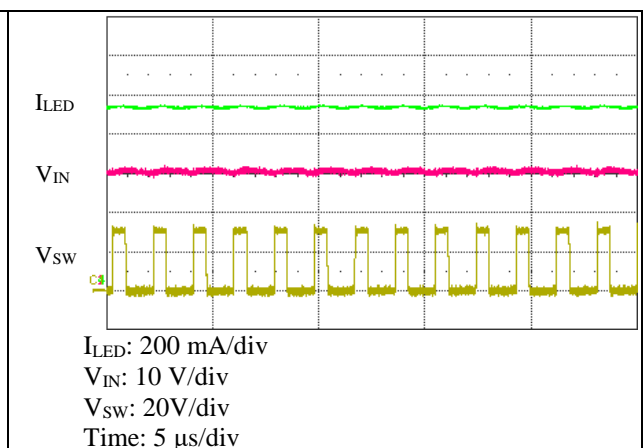


Figure 12-21 Normal Oscillation Waveforms (Buck, $V_{IN} = 30\text{ V}$, 5LEDs, $f_{OSC} = 500\text{ kHz}$)

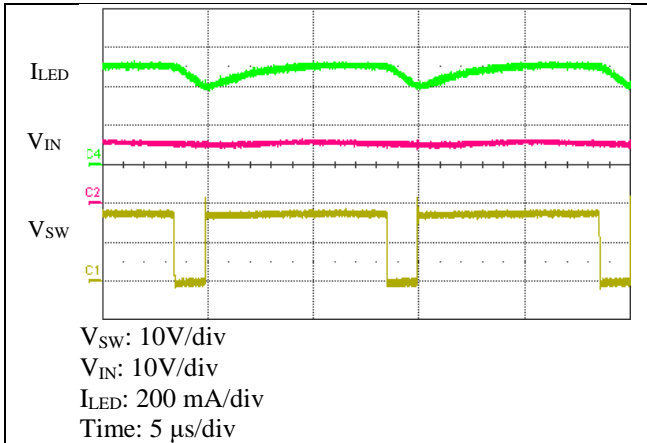


Figure 12-22 Normal Oscillation Waveforms
(Boost, $V_{IN} = 15\text{ V}$, 5LEDs, $f_{OSC} = 100\text{ kHz}$)

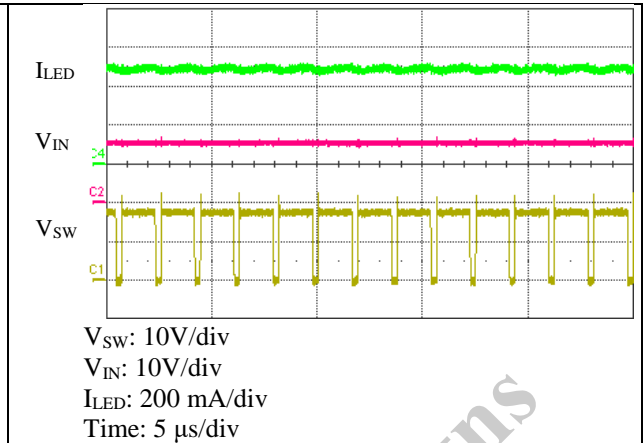


Figure 12-23 Normal Oscillation Waveforms
(Boost, $V_{IN} = 15\text{ V}$, 5LEDs, $f_{OSC} = 500\text{ kHz}$)

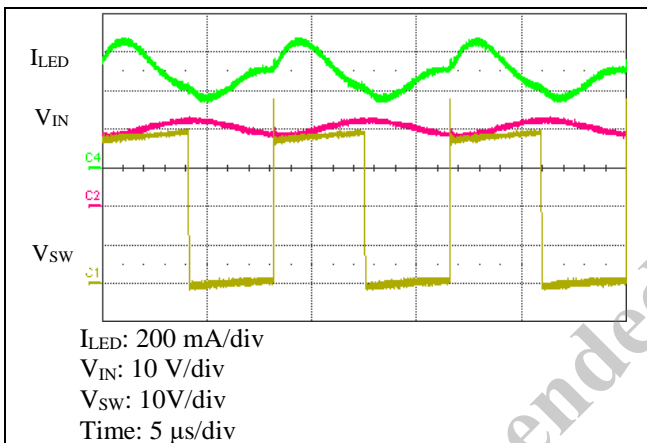


Figure 12-24 Normal Oscillation Waveforms
(Buck-boost, $V_{IN} = 20\text{ V}$, 5LEDs, $f_{OSC} = 100\text{ kHz}$)

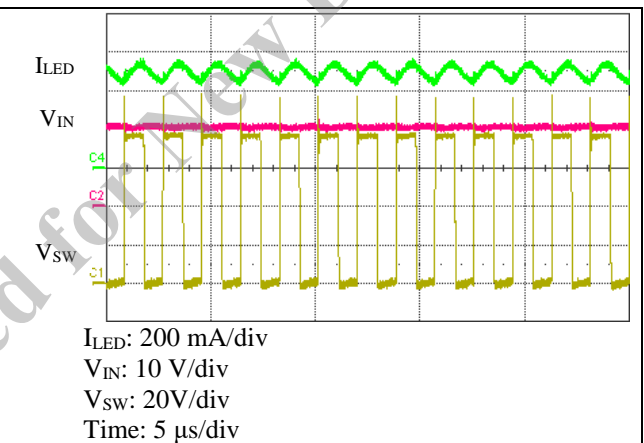


Figure 12-25 Normal Oscillation Waveforms
(Buck-boost, $V_{IN} = 20\text{ V}$, 5LEDs, $f_{OSC} = 500\text{ kHz}$)

V_{SW}

Not Recommended for New Designs

Important Notes

- All data, illustrations, graphs, tables and any other information included in this document (the “Information”) as to Sanken’s products listed herein (the “Sanken Products”) are current as of the date this document is issued. The Information is subject to any change without notice due to improvement of the Sanken Products, etc. Please make sure to confirm with a Sanken sales representative that the contents set forth in this document reflect the latest revisions before use.
- The Sanken Products are intended for use as components of general purpose electronic equipment or apparatus (such as home appliances, office equipment, telecommunication equipment, measuring equipment, etc.). Prior to use of the Sanken Products, please put your signature, or affix your name and seal, on the specification documents of the Sanken Products and return them to Sanken. When considering use of the Sanken Products for any applications that require higher reliability (such as transportation equipment and its control systems, traffic signal control systems or equipment, disaster/crime alarm systems, various safety devices, etc.), you must contact a Sanken sales representative to discuss the suitability of such use and put your signature, or affix your name and seal, on the specification documents of the Sanken Products and return them to Sanken, prior to the use of the Sanken Products. The Sanken Products are not intended for use in any applications that require extremely high reliability such as: aerospace equipment; nuclear power control systems; and medical equipment or systems, whose failure or malfunction may result in death or serious injury to people, i.e., medical devices in Class III or a higher class as defined by relevant laws of Japan (collectively, the “Specific Applications”). Sanken assumes no liability or responsibility whatsoever for any and all damages and losses that may be suffered by you, users or any third party, resulting from the use of the Sanken Products in the Specific Applications or in manner not in compliance with the instructions set forth herein.
- In the event of using the Sanken Products by either (i) combining other products or materials or both therewith or (ii) physically, chemically or otherwise processing or treating or both the same, you must duly consider all possible risks that may result from all such uses in advance and proceed therewith at your own responsibility.
- Although Sanken is making efforts to enhance the quality and reliability of its products, it is impossible to completely avoid the occurrence of any failure or defect or both in semiconductor products at a certain rate. You must take, at your own responsibility, preventative measures including using a sufficient safety design and confirming safety of any equipment or systems in/for which the Sanken Products are used, upon due consideration of a failure occurrence rate and derating, etc., in order not to cause any human injury or death, fire accident or social harm which may result from any failure or malfunction of the Sanken Products. Please refer to the relevant specification documents and Sanken’s official website in relation to derating.
- No anti-radioactive ray design has been adopted for the Sanken Products.
- The circuit constant, operation examples, circuit examples, pattern layout examples, design examples, recommended examples, all information and evaluation results based thereon, etc., described in this document are presented for the sole purpose of reference of use of the Sanken Products.
- Sanken assumes no responsibility whatsoever for any and all damages and losses that may be suffered by you, users or any third party, or any possible infringement of any and all property rights including intellectual property rights and any other rights of you, users or any third party, resulting from the Information.
- No information in this document can be transcribed or copied or both without Sanken’s prior written consent.
- Regarding the Information, no license, express, implied or otherwise, is granted hereby under any intellectual property rights and any other rights of Sanken.
- Unless otherwise agreed in writing between Sanken and you, Sanken makes no warranty of any kind, whether express or implied, including, without limitation, any warranty (i) as to the quality or performance of the Sanken Products (such as implied warranty of merchantability, and implied warranty of fitness for a particular purpose or special environment), (ii) that any Sanken Product is delivered free of claims of third parties by way of infringement or the like, (iii) that may arise from course of performance, course of dealing or usage of trade, and (iv) as to the Information (including its accuracy, usefulness, and reliability).
- In the event of using the Sanken Products, you must use the same after carefully examining all applicable environmental laws and regulations that regulate the inclusion or use or both of any particular controlled substances, including, but not limited to, the EU RoHS Directive, so as to be in strict compliance with such applicable laws and regulations.
- You must not use the Sanken Products or the Information for the purpose of any military applications or use, including but not limited to the development of weapons of mass destruction. In the event of exporting the Sanken Products or the Information, or providing them for non-residents, you must comply with all applicable export control laws and regulations in each country including the U.S. Export Administration Regulations (EAR) and the Foreign Exchange and Foreign Trade Act of Japan, and follow the procedures required by such applicable laws and regulations.
- Sanken assumes no responsibility for any troubles, which may occur during the transportation of the Sanken Products including the falling thereof, out of Sanken’s distribution network.
- Although Sanken has prepared this document with its due care to pursue the accuracy thereof, Sanken does not warrant that it is error free and Sanken assumes no liability whatsoever for any and all damages and losses which may be suffered by you resulting from any possible errors or omissions in connection with the Information.
- Please refer to our official website in relation to general instructions and directions for using the Sanken Products, and refer to the relevant specification documents in relation to particular precautions when using the Sanken Products.
- All rights and title in and to any specific trademark or tradename belong to Sanken and such original right holder(s).

DSGN-CEZ-16003