



ANATECH ELECTRONICS INC
RF & Microwave Filters & Products

**438-442 MHz / 455-462 MHz
Cavity Duplexer
Part Number: AD440-458D393**

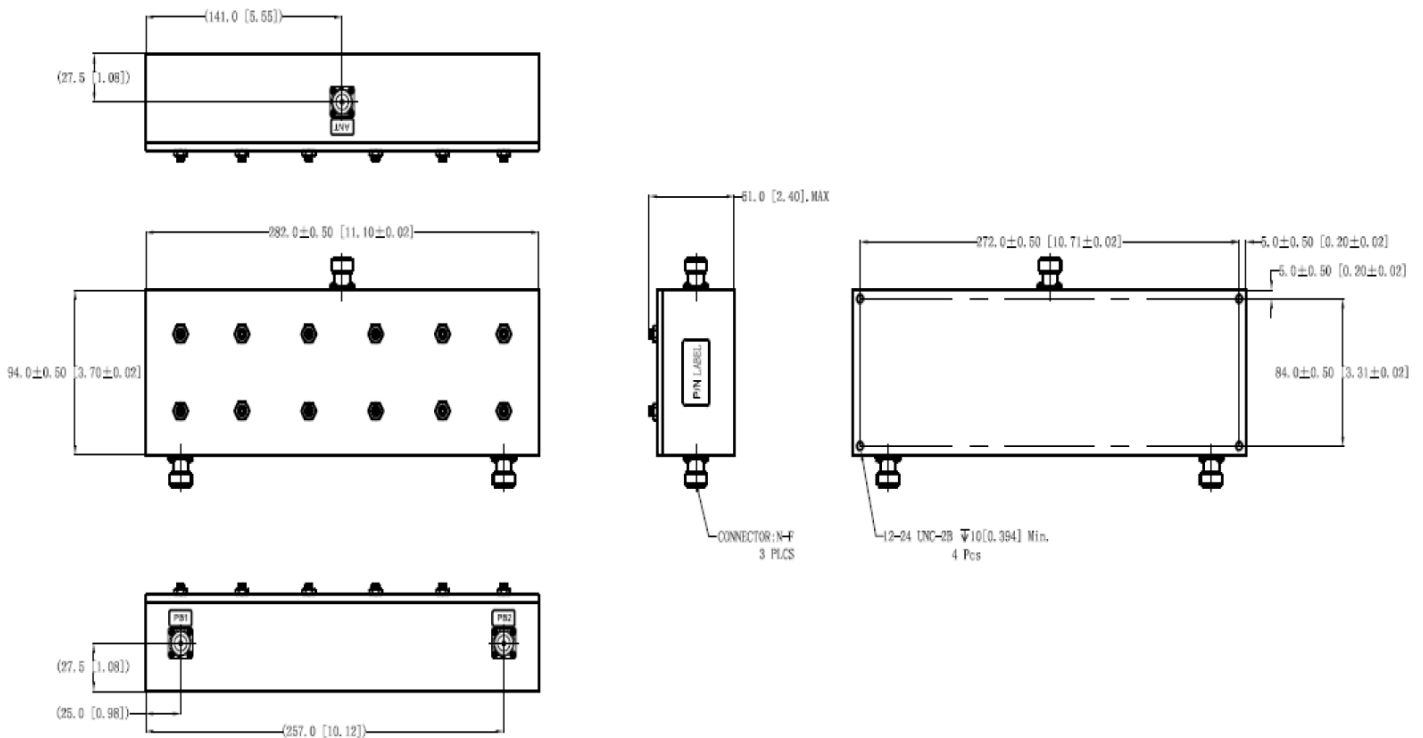


Characteristics	Band 1 (Rx)	Band 2 (Tx)
Passband frequency:	438-442 MHz	455-462 MHz
Insertion loss in bands:	=/<1 dB	=/<1 dB
Isolation between bands:	60 dB	60 dB

Mechanical	
Mounting Method:	Threaded Mounting Holes
Connector Type:	N-Type (F)
Dimensions:	11.10" x 3.70" x 2.40" in

Environmental	
Operating Temperature:	-40 to +70 deg.C
Storage Temperature:	-50 to +90 deg.C

Outline Drawing:





ANATECH ELECTRONICS INC
RF & Microwave Filters & Products

438-442 MHz / 455-462 MHz
Cavity Duplexer
Part Number: AD440-458D393



Plots:

