

6

5

4

3

2

1

D

C

B

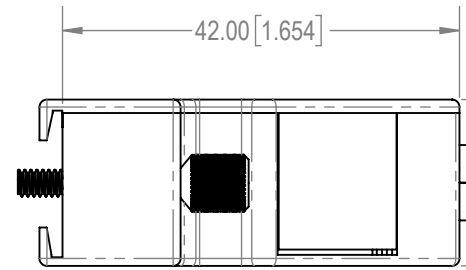
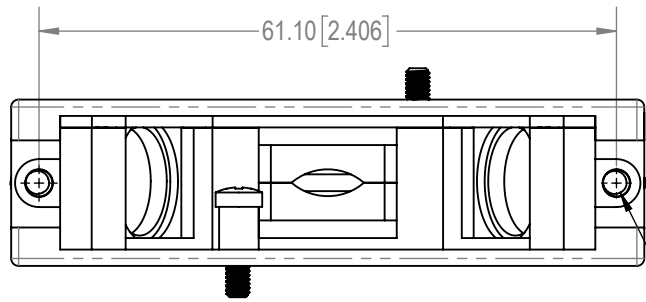
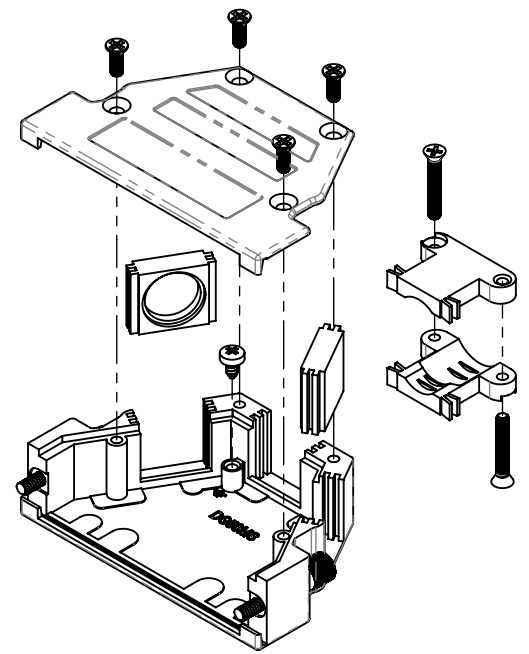
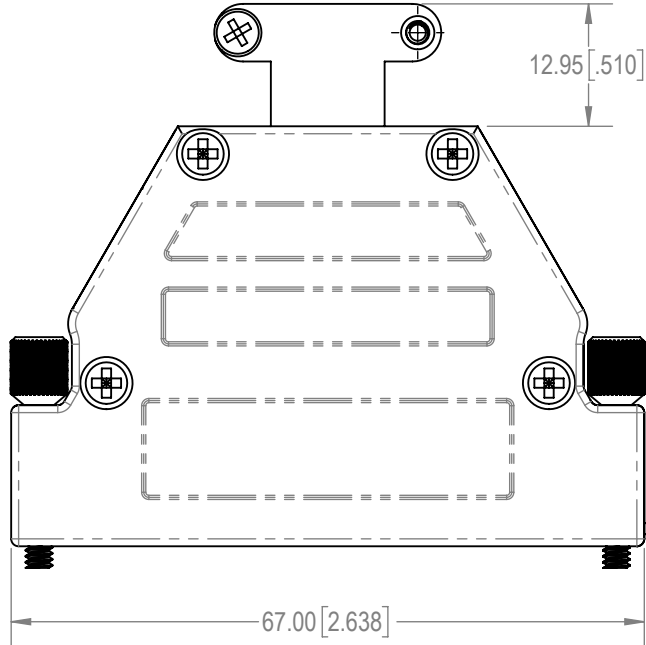
A

D

C

B

A



5.00 [.197] MIN.
14.00 [.551] MAX.
CABLE CLAMP OPENING

2X 4-40 UNC 2A
THREADS

17.60 [.693]

NOTES:

- MATERIALS AND FINISH:
HOOD, HOOD COVER AND CABLE CLAMPS: DIE CAST ZINC.
JACKSCREWS: BRASS, NICKEL PLATE.
SCREWS: STEEL, NICKEL PLATE.
- DETAILED PRODUCT, MECHANICAL AND ELECTRICAL INFORMATION IS AVAILABLE IN THE LATEST D-SUB ACCESSORIES PRODUCT PUBLICATION AT CONNECTPOSITRONIC.COM.

BY APG	CHK AB	3RD ANGLE 	POSITRONIC BELIEVES THE DATA ON THE DRAWING TO BE RELIABLE. THE USER EMPLOYS SUCH INFORMATION AT HIS OWN DISCRETION AND RISK. POSITRONIC ASSUMES NO RESPONSIBILITY FOR RESULTS OBTAINED OR DAMAGES INCURRED FROM USE OF SUCH INFORMATION IN WHOLE OR IN PART.	 Positronic [®] CONNECTPOSITRONIC.COM
APR PA	RELEASED DATE: 2022-01-05	SCALE NTS		
TOLERANCES ±0.03mm [.001 INCHES] FOR MALE CONTACT MATING DIAMETERS ±0.08mm [.003 INCHES] FOR CONTACT TERMINATION DIAMETERS ±0.13mm [.005 INCHES] FOR ALL OTHER DIAMETERS ±0.38mm [.015 INCHES] FOR ALL OTHER DIMENSIONS ±5° FOR ALL ANGLES DIMENSION ARE IN MILLIMETERS [INCHES]			PART NUMBER D50000GE0	SERIES D
CREATED ON: 2022-01-05			SHEET SHEET 1 OF 1	REV C

6

5

4

3

2

1