

SUMMARY

Wires



Image is for illustrative purpose only

| | |
|------------------|-------------------------|
| Series | 2S |
| Termination type | No contacts / Accessory |
| IP rating | 0 |
| AWG wire size | 0.00 - 0.00 |
| Cable Ø | 0.00 - 0.00 mm |
| Status | active |

Download

[Request a quote](#)

[Catalog](#)

TECHNICAL DETAILS

Mechanics

| | |
|-------------------|--|
| Shell Style/Model | GRA*: Insulating washer |
| Keying | No keying |
| Housing Material | PEEK (Polyetheretherketone) shell and collet nut, nickel plated [SAE AMS QQ N 290] brass latch sleeve and mid pieces |
| Weight | .31 g |

Performance

| |
|---------------|
| Configuration |
| Insulator |
| Rated Current |

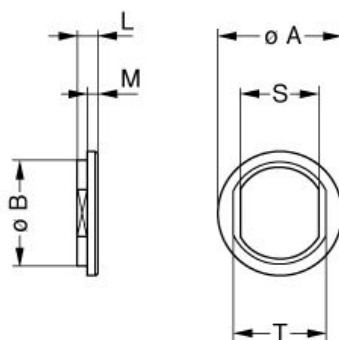
Others

| | |
|-------------------|-----------------------------|
| Temp (min / max): | -50° C / +90° C |
| Humidity (max): | <=95% [at 60 deg C / 140 F] |
| Vibration: | 15 g [10 Hz - 2000 Hz] |
| Shock Resistance: | 100 g [6 ms] |

LEMO products and services are provided "as is". LEMO makes no warranties or representations with regard to LEMO product & services or use of them, express, implied or statutory, including for accuracy, completeness, or security. The user is fully responsible for his products and applications using LEMO components.

Climatical Category: 50/175/21
Shielding (min): 75 dB (10 MHz)
Shielding (min): 40 dB (1 GHz)

DRAWINGS



No keying

Dimensions

| | A | B | L | M | S | T |
|-----|------|------|------|------|------|------|
| mm. | 21.1 | 17.9 | 2.3 | 1.3 | 13.6 | 16.2 |
| in. | 0,83 | 0,70 | 0,09 | 0,05 | 0,54 | 0,64 |

RECOMMENDED BY LEMO

Tools

LEMO products and services are provided "as is". LEMO makes no warranties or representations with regard to LEMO product & services or use of them, express, implied or statutory, including for accuracy, completeness, or security. The user is fully responsible for his products and applications using LEMO components.