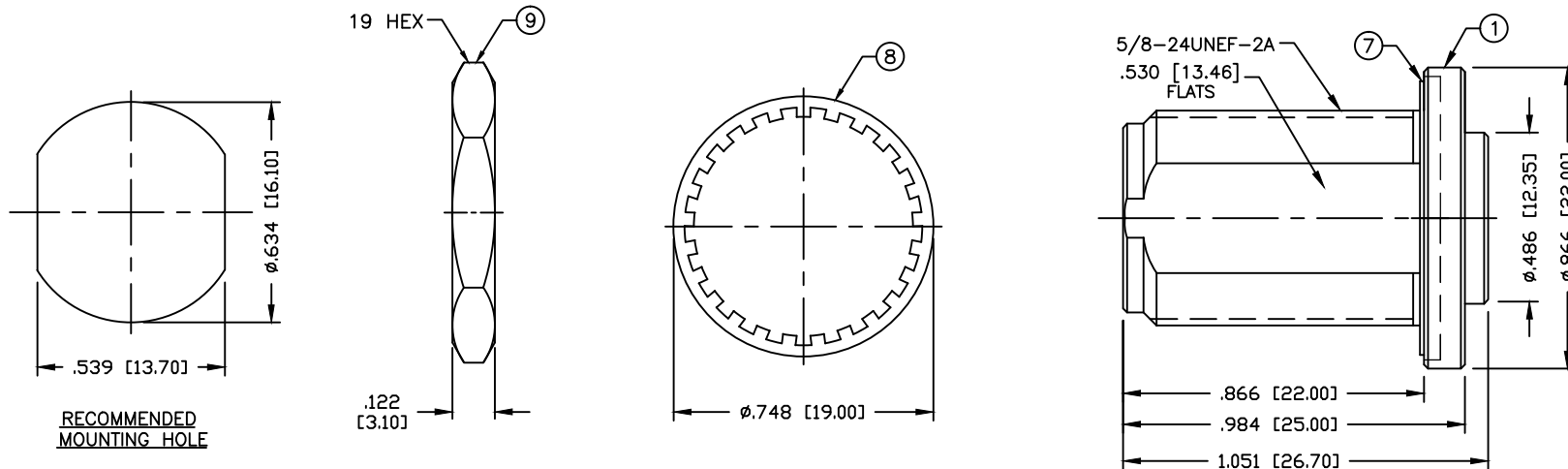


PART NO.

RFN-1022-SR2

REV	DESCRIPTION	DWN	DATE	APPROVED
E	UPDATED BOM	CZS	04/04/17	JDMc

**SPECIFICATIONS:**

IMPEDANCE: 50 Ohms
 FREQUENCY RANGE: 0-11 GHz
 VSWR: 1.3 Max.
 INSERTION LOSS: .06 dB Max. $\times \sqrt{f\text{GHz}}$
 WORKING VOLTAGE: 1k V rms @ sea level
 TEMPERATURE RANGE: -65°C TO 165°C
 INSULATION RESISTANCE: 5k M Ohms min.
 FOR .141 SEMI RIGID, RG-402/U & BELDEN 1673A CABLE

RECOMMENDED CRIMP DIE: .100

RECOMMENDED STRIPPING DIM'S

9	HEX NUT	1	BRASS	NICKEL, 100 μ "
8	WASHER	1	BRASS	NICKEL, 100 μ "
7	GASKET	1	SILICONE	---
6	SOLDER NUT	1	BRASS	GOLD, 3 μ "
5	INSULATOR	1	PTFE	---
4	CONTACT	1	BRASS	GOLD, 3 μ "
3	INNER BODY	1	BRASS	NICKEL, 100 μ "
2	INSULATOR	1	PTFE	---
1	OUTER BODY	1	BRASS	NICKEL, 100 μ "

#	DESCRIPTION	QTY	MATERIAL	FINISH
---	-------------	-----	----------	--------

CUSTOMER OUTLINE DRAWING

ALL DIMENSIONS ARE REFERENCE ONLY

UNLESS OTHERWISE SPECIFIED: DIMENSIONS ARE IN INCHES AND [MILLIMETERS]

DRAWN	C. ZUNIGA	04/04/17
CHECKED		
ORJ DRAWN	K. MAXWELL	10/03/95

RoHS COMPLIANT

PROPRIETARY AND CONFIDENTIAL
 THIS DRAWING CONTAINS INFORMATION PROPRIETARY TO RF INDUSTRIES. ANY UNAUTHORIZED USE OF THIS DRAWING IS EXPRESSLY PROHIBITED WITHOUT WRITTEN PERMISSION FROM RF INDUSTRIES. ANY VIOLATION IS PUNISHABLE UNDER U.S. COPYRIGHT LAWS.

RFconnectors
 DIVISION OF RF INDUSTRIES, LTD. (858) 549-6345 FAX
 7610 MIRAMAR RD.
 SAN DIEGO, CA 92126
 (858) 549-6340

N JACK, BULKHEAD

DOUBLE D FLAT & GASKET

SIZE	CABLE GROUP	DWG NO.	REV
A	SR2	RFN-1022-SR2	E
SCALE:	ENGINEERING ID:	008974	SHEET 1 OF 1
NTS			