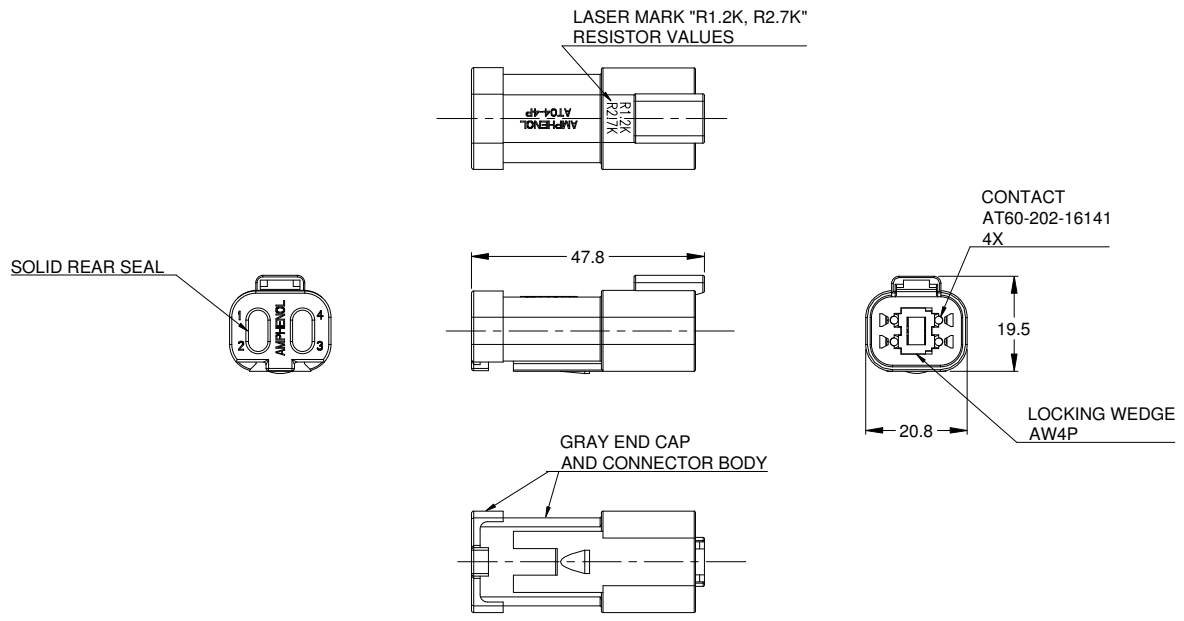
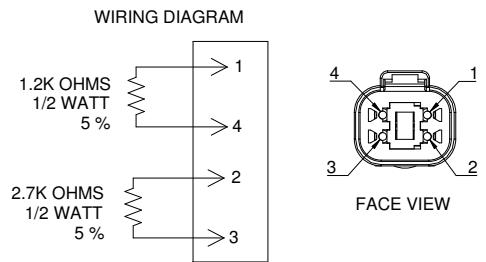


REVISIONS					
REV	ECO	DESCRIPTION	DATE	BY	APPR
A1	-	RELEASED FOR PRODUCTION	9JAN2015	JAH	-



NOTES: UNLESS OTHERWISE SPECIFIED

- MATERIAL:
HOUSING: THERMOPLASTIC; COLOR: GRAY
SEAL: SILICONE RUBBER
- MODIFICATIONS: END CAP, NICKEL CONTACTS, WEDGE, SOLID REAR SEAL, RESISTORS
- SPECIFICATIONS:
3.1 OPERATING TEMPERATURE: -55°C TO +125°C
3.2 MOISTURE RESISTANCE: IP67 (MATED CONDITION)
3.3 MATING CYCLE DURABILITY: 100 CYCLES
3.4 RoHS COMPLIANT
- MATING PART: AT06-4S* RECEPTACLE
(* = MODIFICATIONS)
- ALL DIMENSIONS ARE FOR REFERENCE USE ONLY.



AT04-4P-R1K2K		DESCRIPTION		ITEM
QUANTITY	PART NUMBER	MATERIALS LIST		
UNLESS OTHERWISE SPECIFIED		SIGNATURES		DATE
1) All dimensions are in metric(mm).		DRAWN: J.HEAD		8/5/14
2) Tolerances are as follows:		CHECKED:		
1 PL DEC ±0.30 Fractions ±1/64		ENGINEER:		
2 PL DEC ±0.15 Angles ±1°		APPROVAL:		
3 PL DEC ±0.08		CUSTOMER:		
3) Note reference =		THIS DRAWING IS SUPPLIED FOR INFORMATION ONLY. DESIGN FEATURES, SPECIFICATIONS AND PERFORMANCE DATA SHOWN HEREON ARE THE PROPERTY OF THE AMPHENOL CORPORATION. NO RIGHTS OF REPRODUCTION ARE IMPLIED. ALL DIMENSIONS ARE SUBJECT TO NORMAL MANUFACTURING VARIATIONS.		
MATERIAL SPECIFICATIONS:		SINE Systems Corporation		
PROCESS SPECIFICATIONS:		A Subsidiary of Amphenol Corporation 44724 Morley Drive Clinton Township, MI 48036		
NEXT ASSY:		RECEPT, 4 WAY "AT", R1K & 2K, GRAY		
		SIZE	FSCM NO.	DWG NO.
		B		C- AT04-4P-R1K2K
		SCALE:	REVISION	
		NONE	A1	
		SHEET 1		OF 1

TITLE: RECEPT, 4WAY "AT", R1K & 2K, GRAY
DWG NO: C- AT04-4P-R1K2K
REV: A1
SH: 1
OF: 1