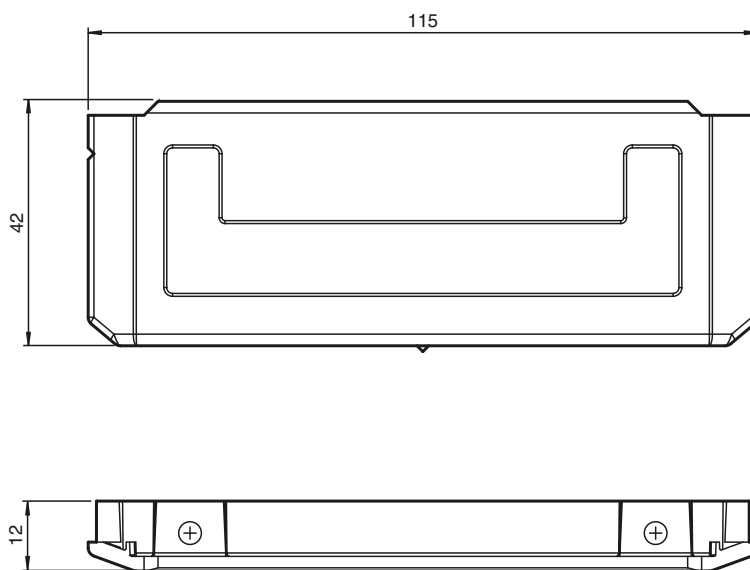




**Dimensions**



**Model number**

**WCS2-PL2**

Transparent protective case and seal for WCS2 reader

**Technical data**

**Mechanical specifications**

Material	Transparent polycarbonate Gasket: EPDM
Mass	35 g

Release date: 2015-06-09 16:05 Date of issue: 2015-06-09 198619\_eng.xml

Refer to "General Notes Relating to Pepperl+Fuchs Product Information".

Pepperl+Fuchs Group  
www.pepperl-fuchs.com

USA: +1 330 486 0001  
fa-info@us.pepperl-fuchs.com

Germany: +49 621 776 4411  
fa-info@de.pepperl-fuchs.com

Singapore: +65 6779 9091  
fa-info@sg.pepperl-fuchs.com