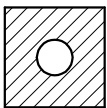
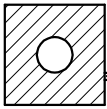
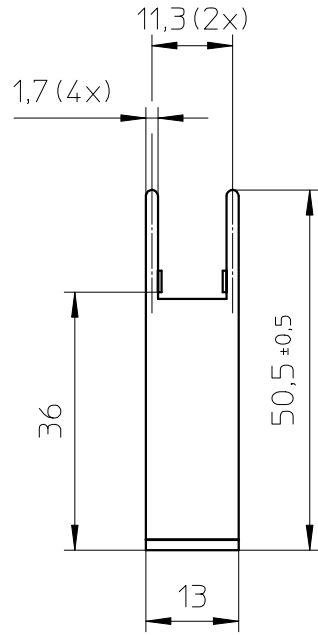
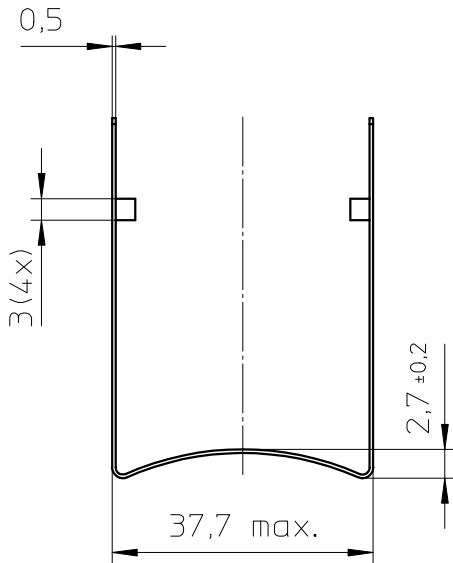


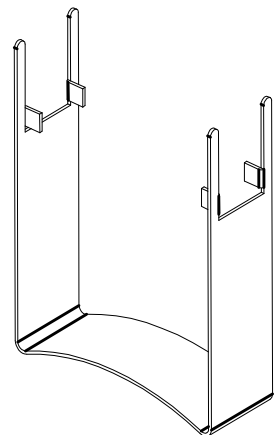
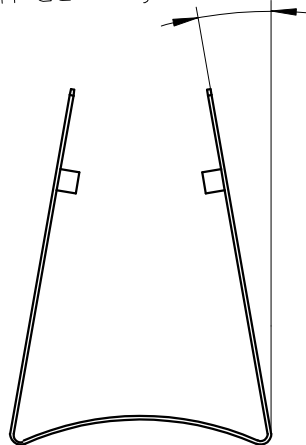
FERROXCUBE



1 2 3 4



In delivery condition max.10°(2x)



Material: phosphorbronz 0,5mm - Sn plated

earthpins solderability acc. to IEC 60068-2-20 part2, Test Ta, method 1, 235°C - 2s

CLASS.NO.		CLM/P-PQ35/35		4322 021 03901		2001-11-28	
NAME NAAM		M.Veekens		SUPERV. VERV.		1 SH BL 112 - 001 010	
CHECK CONTR.		DAT. 2001-11-28		Property of Eigendom van		© FERROXCUBE 2000	
MPA						A4	