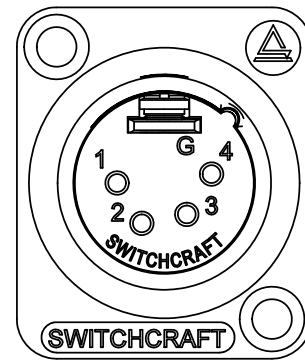
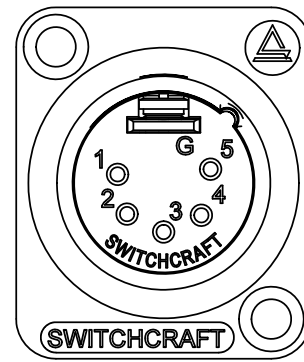


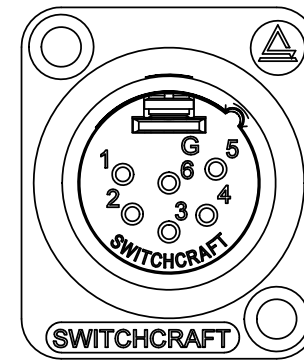
DEP3M
3 PIN



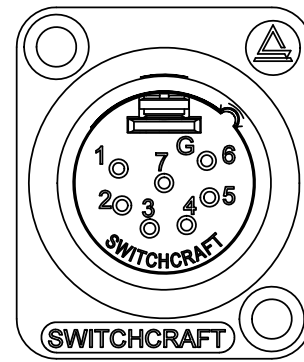
DEP4M
4 PIN



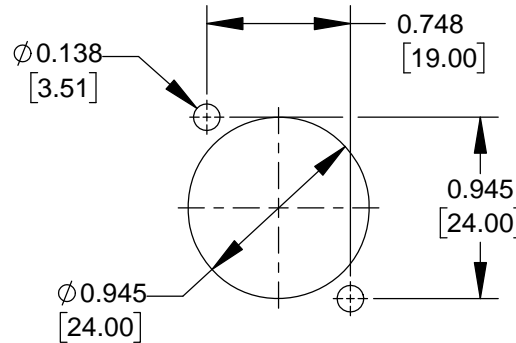
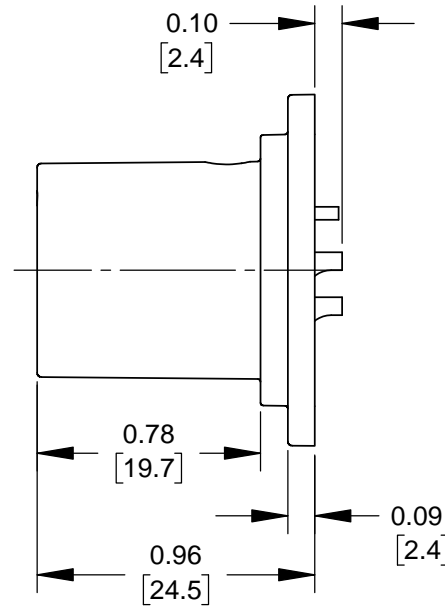
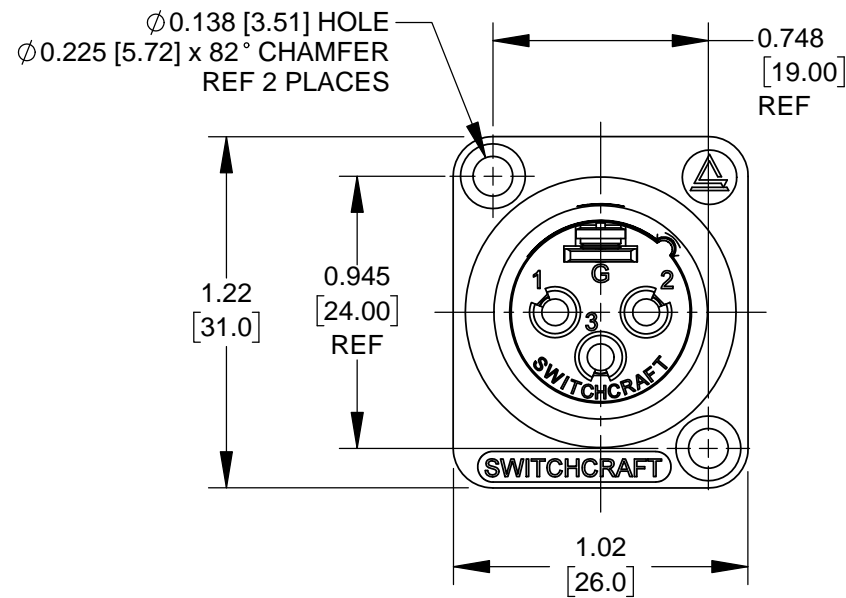
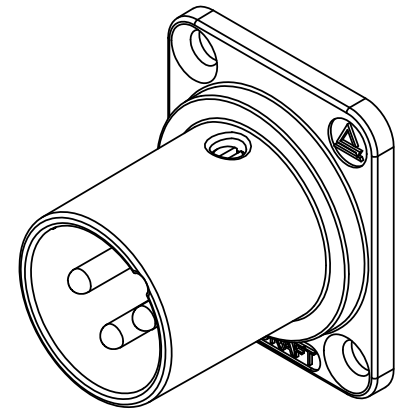
DEP5M
5 PIN



DEP6M
6 PIN



DEP7M
7 PIN



RECOMMENDED
PANEL CUT - OUT

DEP **M**

DE SERIES PROTRUDED HOUSING CONNECTOR

NUMBER OF CONTACTS

3 - 3 CONTACTS
4 - 4 CONTACTS
5 - 5 CONTACTS
6 - 6 CONTACTS
7 - 7 CONTACTS

MALE CONNECTOR

BLANK - BULK PACKAGING
PKG - INDIVIDUAL PACKAGE
WITH #4-40 x 0.50 LONG SCREWS

CONTACT PLATING
BLANK - SILVER (STANDARD)
AU - GOLD

HOUSING FINISH
BLANK - NICKEL HOUSING WITH GREEN INSERT
B - BLACK EPOXY HOUSING WITH BLACK INSERT

NOTES:

- MATERIALS:**
HOUSING - ZINC ALLOY, NICKEL PLATED OR BLACK PAINTED
INSERT - THERMOPLASTIC, GREEN OR BLACK
CONTACT PINS - COPPER ALLOY, SILVER OR GOLD PLATED
SOLDER TERMINAL - COPPER ALLOY, TIN PLATED
SET SCREW - STAINLESS STEEL
- THESE PRODUCTS ARE RoHS COMPLIANT.

CUSTOMER DRAWING

					THIS DRAWING DESCRIBES A DESIGN CONSIDERED PROPRIETARY IN NATURE, DEVELOPED AND MANUFACTURED BY SWITCHCRAFT INC. AND IS RELEASED ON A CONFIDENTIAL BASIS FOR IDENTIFICATION PURPOSES ONLY.							
					SIZE	WIDTH	MULT	LBS/M	TEMPER			
					UNLESS OTHERWISE SPECIFIED				FINISH	MATERIAL		
					1. ALL DIMENSIONS IN INCHES [mm]				SPEC No.	SPEC No.		
					- TWO PLACE DECIMALS ±0.02 [0.5]				FIRST USED ON		SCALE	
					- THREE PLACE DECIMALS ±0.005 [0.13]				7/8/16		3:2	
					DATE DRAWN	BY	CHKD	APVD	Switchcraft [®]			
					7/8/16	NS	NS	7/8/16				SHEET 1 OF 1
REVISIONS					DO NOT SCALE DRAWING				NAME		PART No.	
A	27856	02/28/17	PC	TJK	DE PROTRUDED XLR CONNECTOR, RoHS				DEP3M-DEP7M SERIES		REV	
REV	ECO NUMBER	DATE	BY	APVD							A	