

6

5

4

3

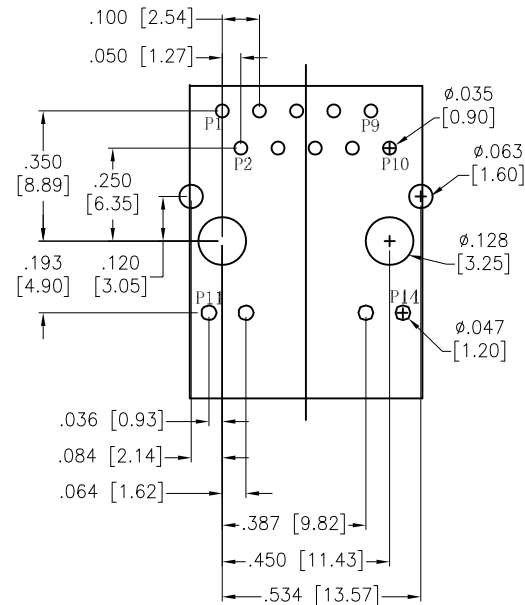
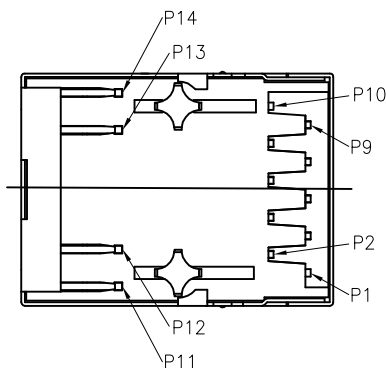
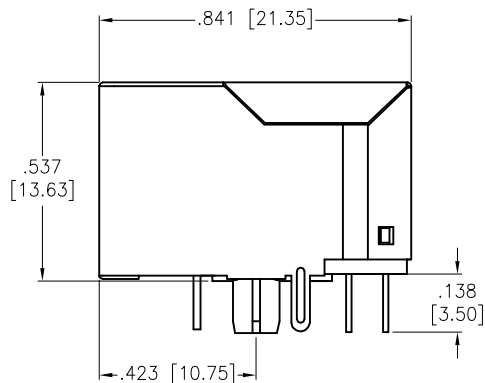
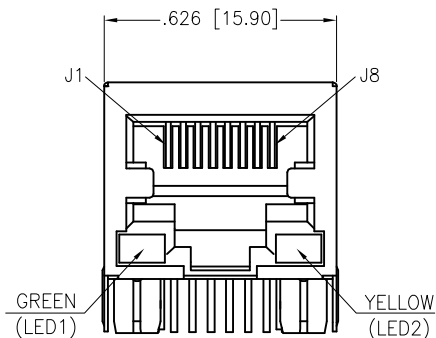
2

1

APPROVED: \_\_\_\_\_

DATE: \_\_\_\_\_ TITLE: \_\_\_\_\_

Rev	AWO #	Description	Date	Appr
-		RELEASED	11/13/18	



RECOMMENDED PCB LAYOUT

SPECIFICATIONS:

Material:

Insulator: Thermoplastic, rated UL 94V-0

Insulator color: Black

Contacts: Phosphor Bronze

Shield: Brass, Nickel plated

Plating:

Round contact

Gold over Nickel underplate overall

Flat contact

Gold over Nickel underplate on contact area,

Tin over Nickel underplate on solder tails

Electrical:

Voltage rating: 150 VAC

Contact Resistance: 20 mohms max

Insulation resistance: 500 Mohms min

Dielectric withstanding voltage: 2,250 VDC

Temperature Rating:

Operating temperature: 0 to +70°C

Environmental:

Lead free, RoHS compliant.



UNLESS OTHERWISE SPECIFIED  
ALL DIMENSIONS ARE INCHES [MM]  
TOLERANCES: EXCEPT AS NOTED  
INCHES HOLES

.X ± .10	Ø.X ± .10
.XX ± .020	Ø.XX ± .015
.XXX ± .015	Ø.XXX ± .010

**ADAM TECH**  
INTERCONNECTS

909 Rahway Avenue,  
Union, NJ 07083  
Phone: 908-687-5000  
Fax: 908-687-5710

TITLE  
MODULAR JACK, 1 PORT, 8P8C  
W/ LED1 GREEN, LED2 YELLOW

APPROVALS		DATE
DRAWN	AY	11/13/18
CHECKED	NL	11/13/18
APPROVED		

SIZE	PART NO.	REV.
X	MTJ-88TX1-FSD-LH1-M47C1	-
REF: S00005C	SCALE: NTS	SHEET 1 OF 2

6

5

4

3

2

1

6 5 4 3 2 1

APPROVED: \_\_\_\_\_  
 DATE: \_\_\_\_\_ TITLE: \_\_\_\_\_

Rev	AWO #	Description	Date	Appr
SEE SHT 1 OF 2 FOR REVISION				

P11 LED1  $\nabla$  G  
 P12  
 P13 LED2  $\nabla$  Y  
 P14

LED1	Green	LED2	Yellow
P11	+	P13	-
P12	-	P14	+

Electronical Specifications:

- Turn Ratio @100KHz: (P2~P3):(J1~J2) = 1:1±5%  
 (P4~P7):(J3~J6) = 1:1±5%  
 (P5~P6):(J4~J5) = 1:1±5%  
 (P8~P9):(J7~J8) = 1:1±5%
- Primary Inductance: 350uH MIN @100KHZ,0.1V 8mA DC BIAS
- DC Resistance: 1.2 OHMS MAX
- Insertion Loss: 1-100MHz -1.0dB MAX  
 100-125MHz -1.2dB MAX
- Return Loss: 1-40MHz -16dB MIN  
 40-60MHz -12dB MIN  
 60-80MHz -10dB MIN  
 80-100MHz -8dB MIN
- CROSS TALK: 1-100MHz -30dB MIN
- COMMON TO COMMON MODE ATTENUATION: 1-100MHz -30dB MIN
- Isolation: PHY Side to Line Side: 2250VDC

UNLESS OTHERWISE SPECIFIED  
 ALL DIMENSIONS ARE INCHES [MM]  
 TOLERANCES: EXCEPT AS NOTED  
 INCHES HOLES

.X ± .10	Ø.X ± .10
.XX ± .020	Ø.XX ± .015
.XXX ± .015	Ø.XXX ± .010

**ADAM TECH**  
 INTERCONNECTS

909 Rahway Avenue,  
 Union, NJ 07083  
 Phone: 908-687-5000  
 Fax: 908-687-5710

APPROVALS		DATE
DRAWN	AY	11/13/18
CHECKED	NL	11/13/18
APPROVED		

TITLE: MODULAR JACK, 1 PORT, 8P8C  
 W/ LED1 GREEN, LED2 YELLOW

SIZE	PART NO.	REV.
X	MTJ-88TX1-FSD-LH1-M47C1	-
REF: S00005C	SCALE: NTS	SHEET 2 OF 2

6 5 4 3 2 1