

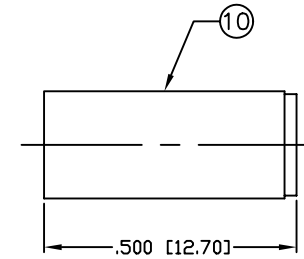
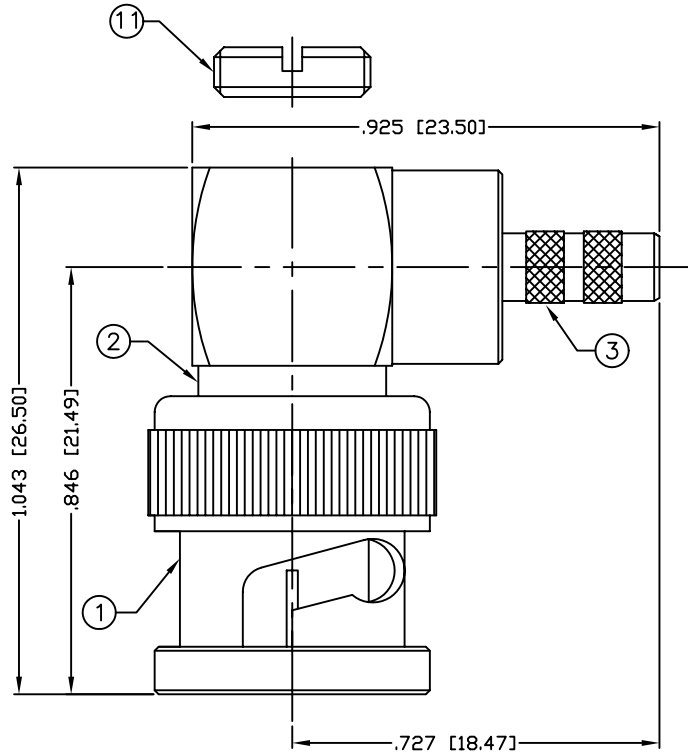
THIS DRAWING CONTAINS INFORMATION PROPRIETARY TO RF INDUSTRIES.
 ANY UNAUTHORIZED USE OF THIS DRAWING IS EXPRESSLY PROHIBITED
 WITHOUT WRITTEN PERMISSION FROM RF INDUSTRIES.
 ANY VIOLATION IS PUNISHABLE UNDER U.S. COPYRIGHT LAWS.

ALL DIMENSIONS ARE REFERENCE ONLY

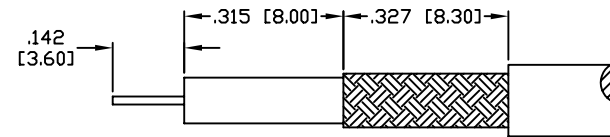
PART NO.

RFB-1710-K

REV	DESCRIPTION	DWN	DATE	APPROVED
-	ENGINEERING RELEASE	CZS	3/8/00	JDMc



RECOMMENDED CRIMP DIE: .184"



RECOMMENDED STRIPPING DIMENSIONS

SPECIFICATIONS:

IMPEDANCE: 75 Ohms
 FREQUENCY RANGE: 0-1 GHz
 WORKING VOLTAGE: 500 V rms @ sea level
 TEMPERATURE RANGE: -65°C TO 85°C
 INSULATION RESISTANCE: 5k M Ohms min.
 FOR CommScope 735, 73501, 73501P

1	SHELL	1	BRASS	NICKEL, 100μ"	008974	
2	BODY	1	BRASS	NICKEL, 100μ"		
3	FERRULE STUD	1	BRASS	NICKEL, 100μ"		
4	INSULATOR	1	PTFE	---		
5	PIN	1	BRASS	GOLD, 3μ"		
6	GASKET	1	RUBBER	---		
7	RETAINING RING	1	BRASS	NICKEL, 100μ"		
8	SPRING	1	SK5	NICKEL, 200μ"		
9	WASHER	1	BRASS	NICKEL, 100μ"		
10	FERRULE	1	BRASS	NICKEL, 100μ"		
11	SCREW CAP	1	BRASS	NICKEL, 100μ"		
12						
13						
14						
#	DESCRIPTION	QTY	MATERIAL	FINISH	APPROVALS	DATE

UNLESS OTHERWISE SPECIFIED:

DIMENSIONS ARE IN INCHES AND [MILLIMETERS]
 UNLESS OTHERWISE NOTED TOLERANCES ARE:

DECIMALS	DIAMETER
----------	----------

DRAWN C. ZUNIGA 8/7/06
 CHECKED

ORJ DRAWN C. ZUNIGA 8/7/06

7610 MIRAMAR RD
 SAN DIEGO, CA 92126
 (858) 549-6340
 (858) 549-6345 FAX

RF connectors
 DIVISION OF RF INDUSTRIES, LTD.

BNC PLUG, CRIMP

RIGHT ANGLE

SIZE A	CABLE GROUP K	DWG NO. RFB-1710-K	REV -
------------------	-------------------------	------------------------------	-----------------

SCALE: NTS CAD FILE OUTLINE SHEET 1 OF 1