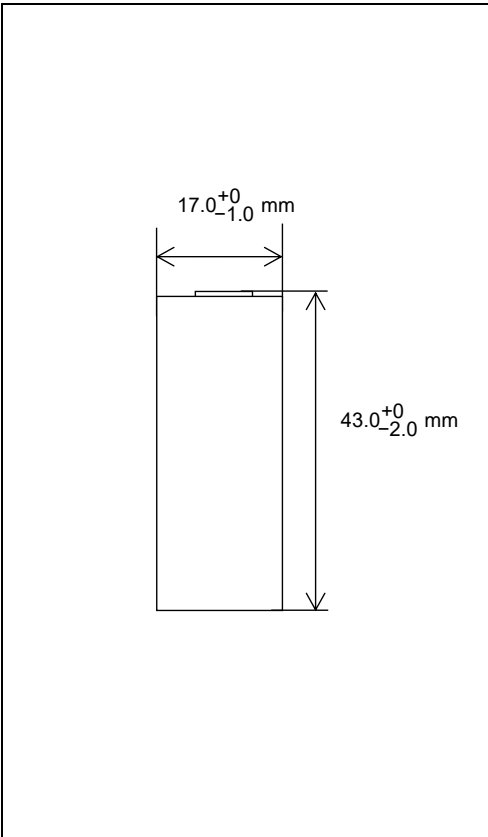


Data sheet

Dimensions



| | | |
|---|----------|------------------|
| Dimensions (including tube) | Diameter | 17.0 +0/ -1.0 mm |
| | Height | 43.0 +0/ -2.0 mm |
| Approx. Weight (including tube) | 33 g | |
| Approx. Internal Impedance at 1kHz 20°C ₅₎ | 25 mΩ | |

5) After 3 cycles of charge and discharge under the conditions of 1), followed by the measurement 1~4 hours later.

Capacity

| | |
|-----------------------|----------|
| Nominal ₁₎ | 2150 mAh |
| Minimum ₁₎ | 1950 mAh |

1)Single cell capacity under the following condition.

Charge : 195 mA x 16 h, Discharge : 390 mA(E.V.=1.00 V) at 20 °C

General Specifications

| | | |
|---------------------------------|-----------------------------------|---------------------------|
| Nominal Voltage | | 1.2 V |
| End Voltage | | 1.00 V |
| Charging Current x Time | Fast Charge ₂₎ | 2150 mA x about 1.1 hours |
| Ambient Temp. | Charge Condition ₃₎ | Fast Charge ₂₎ |
| | Discharge Condition ₃₎ | Recommended |
| Fast Charge ₂₎ | | 0 °C ~ +40 °C |
| Recommended | | 0 °C ~ +50 °C |
| Relative Humidity ₄₎ | | 45 % ~ 85 % |

2)Use recommended charging system.

3)Charge or discharge on outside the recommended temperature range may generate the battery degradation.

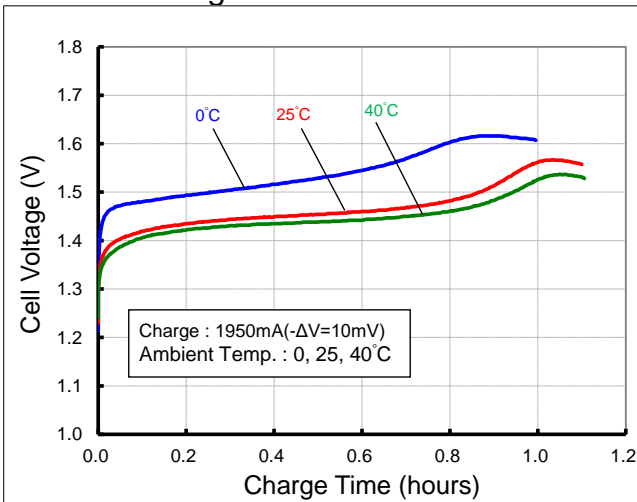
4)No water condensation.

Storage Conditions

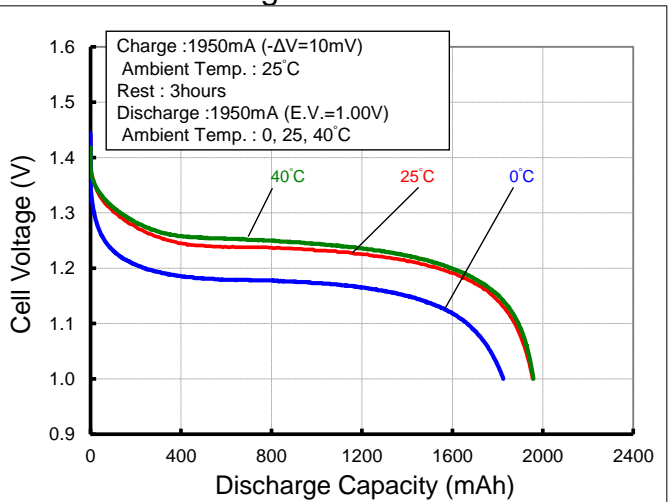
| | | |
|---------------------------------|-------------------|-----------------|
| Ambient Temp. | Less than 30 days | -20 °C ~ +50 °C |
| | Less than 90 days | -20 °C ~ +40 °C |
| | Less than 1 year | -20 °C ~ +30 °C |
| Relative Humidity ₆₎ | | 45 % ~ 85 % |

6)No water condensation.

Nominal Charge Characteristics



Nominal Discharge Characteristics



- Single cell performance and lifespan are greatly affected by usage and temperature conditions.
- Test results vary depending on individual cells.
- Each values included in this material are intended to describe performance. They are not guaranteed.