

FIG 21
 TERMINAL STYLE -J
 S-1P1-X

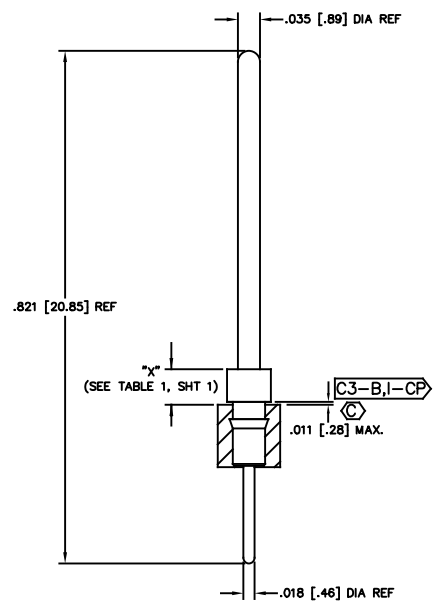


FIG 22
 TERMINAL STYLE -K
 T-1R12-X

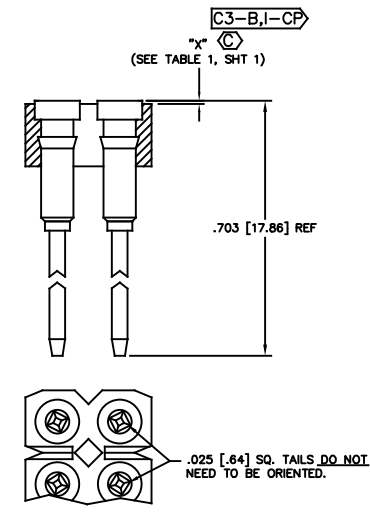


FIG 23
 TERMINAL STYLE -L-1
 S-1W1-1-X

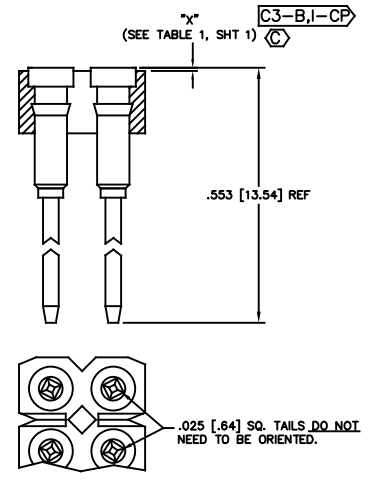


FIG 24
 TERMINAL STYLE -L-2
 S-1W1-2-X

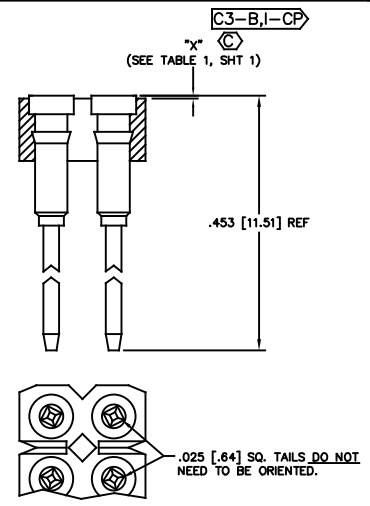


FIG 25
 TERMINAL STYLE -L-3
 S-1W1-3-X

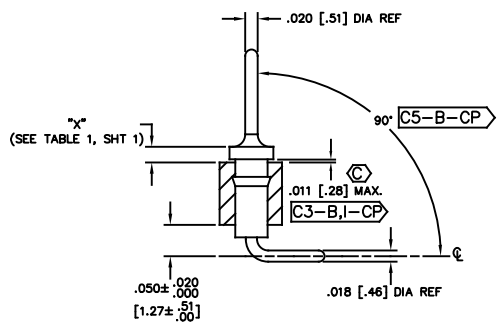


FIG 27
 (SEE FIG. 19 FOR OVERALL LENGTH)
 TERMINAL STYLE -N
 T-1R5-1-X

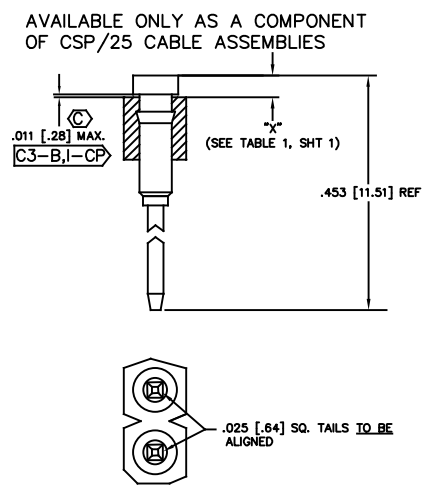


FIG 29
 TERMINAL STYLE -Q-3
 S-1W1-3-X

AVAILABLE ONLY AS A COMPONENT OF CSP/25 CABLE ASSEMBLIES

PROPRIETARY NOTE
 ALL RIGHTS RESERVED
 SAMTEC CORPORATION
 520 PARK EAST BLVD. NEW ALBANY, INDIANA 47150
 PHONE (812) 944-8733 P.O. BOX 1147
 CODE 55322

DISPROV'ASSEMBLY 100
 TX-0304

samtec

520 PARK EAST BLVD. NEW ALBANY, INDIANA 47150
 PHONE (812) 944-8733 P.O. BOX 1147
 CODE 55322

MADE BY: L.W. 12/05/84

TX-1XX-X-X
 SHEET 4 OF 5