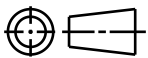
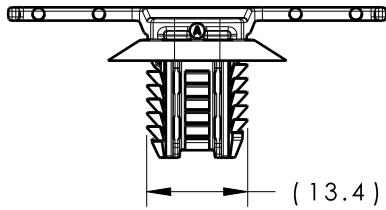


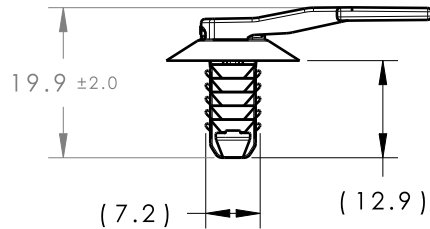
CATIA V5



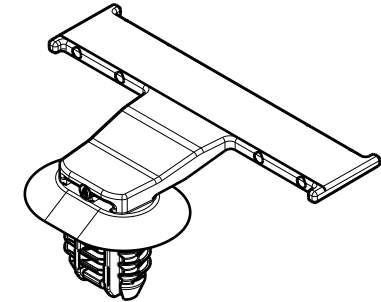
Revision Level			Revision Record	Changed	Date	Approved	Date
Drawing	State	Part					
04.1	Design Release		SEE ECN# 014043	RJE	09/01/17	EJH	09/01/17



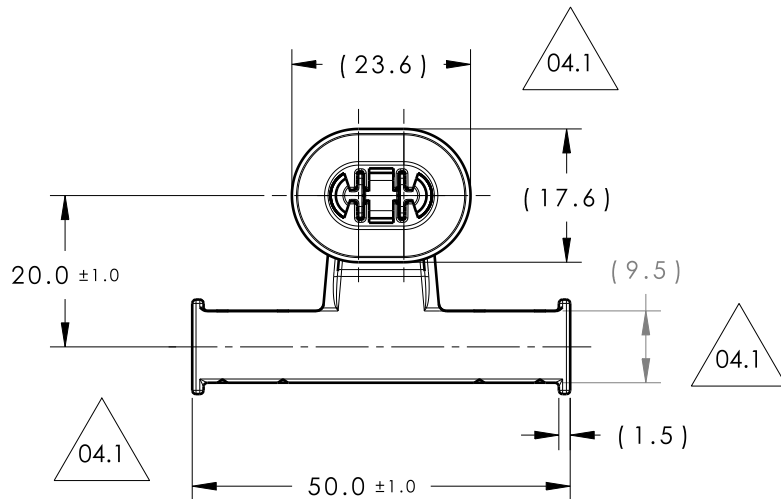
04.1



04.1

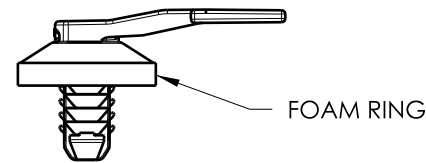


ISOMETRIC VIEW



04.1

04.1



SIMILAR TO SOC11FTOVAL (NATURAL) EXCEPT AS SHOWN

- REFERENCE:
 PERFORMANCE REQUIREMENTS AT DRY AS MOLDED:
 1. SHEET METAL THICKNESS RANGE: 0.60mm - 6.75mm
 2. OVAL HOLE SIZES:
 6.2x12.2 +/- 0.2mm
 6.5x12.5 +0.2/-0.4mm
 6.5x13.0 +/- 0.2mm
 7.0x12.0 +/- 0.2mm

FOAM RING	TYPE	MATERIAL	COLOR
NO	SOC11FTOVAL	PA66HIRHS	BLACK
NO	SOC11FTOVAL	PA66HIRHS	NATURAL
YES	SOC11FTOVALMD	PA66HIRHS	NATURAL

Material SEE CHART COLOR: SEE CHART	Units millimeters Tolerance defined on each dimension	The copyright of this drawing is reserved by HellermannTyton. It is issued on condition that it is not reproduced, copied or disclosed to a third party, either wholly or in part, without the consent of HellermannTyton.	Drawn	SJA	11/17/10	Article/Type-No SEE CHART	Scale	1:1		
			Approved	WPT	03/10/11		Title OVAL HOLE TAPE CLIP - 20mm OFFSET	Project Number	10-0979	
			HellermannTyton North America Email: corp@htamericas.com Web: www.hellermann.tyton.com			Drawing-No		PRODUCTION : Phase		Format
						10-0979-001-CSU				Sheet